



# EKPK90

## Extractor

Installation, use and maintenance



---

# Contents

- 3 Important information
- 4 Important notes
- 5 Using your extractor
- 9 Care and maintenance
- 10 Changing the charcoal filter
- 11 LED Lighting
- 11 Mains electricity connection
- 12 Electrical information
- 13 Troubleshooting
- 14 Mounting your extractor
- 15 Installation and ducting
- 18 Installation heights options (assembly)
- 19 Energy efficiency information

## Important

The CDA Group Ltd cannot be held responsible for injuries or losses caused by incorrect use or installation of this product. Please note that CDA reserve the right to invalidate the guarantee supplied with this product following incorrect installation or misuse of the appliance or use in a commercial environment.

This appliance is not designed to be used by people (including children) with reduced physical, sensorial or mental capacity, or who lack experience or knowledge about it, unless they have had supervision or instructions on how to use the appliance by someone who is responsible for their safety.

Under no circumstances should any external covers be removed for servicing or maintenance except by suitably qualified personnel.

### Appliance information:

Please enter the details on the appliance rating plate below for reference, to assist CDA Customer Care in the event of a fault with your appliance and to register your appliance for guarantee purposes.

|                 |  |
|-----------------|--|
| Appliance Model |  |
| Serial Number   |  |

### Declarations of Conformity:

This appliance has been manufactured to comply with all EU & UK statutory requirements and complies with all applicable legislation and the following European Directives:

- The Low Voltage Directive 2014/35/EU
- Electromagnetic Compatibility Directive 2014/30/EU

The product has been marked with the UKCA and CE symbols.



This appliance is marked according to the European directive 2004/104/EC on Waste Electrical and Electronic equipment (WEEE).

---

**IMPORTANT INFORMATION FOR CORRECT DISPOSAL OF THE PRODUCT IN ACCORDANCE WITH EU DIRECTIVE 2012/19/EU.**

At the end of its working life, the product must be taken to a special local authority waste collection centre or to a dealer providing appliance recycling services.

Disposing of a household appliance separately avoids possible negative consequences for the environment and health. It also enables the constituent materials to be recovered, saving both energy and resources. As a reminder of the need to dispose of household appliances separately, the product is marked with a crossed-out wheeled dustbin.

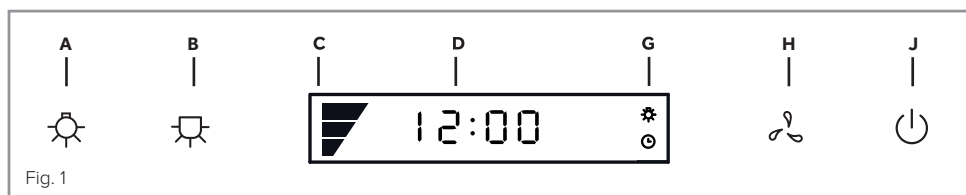
**Please note:**

- Under no circumstances should the extractor be connected to any gas ventilation system, flue system or hot air ducting system.
- Do not vent the extractor into an attic or loft space.
- Only house the extractor in rooms with adequate ventilation. Remember that the extractor is powerful and whatever air is extracted needs to be replaced.
- Do not tile the extractor in. It should be removable for service or maintenance.
- Do not use silicone sealant to secure the hood to the wall.
- You must be able to isolate the extractor from the mains electrical supply after installation.
- This appliance has been designed to be used in a room with a volume of less than 36m<sup>3</sup>.
- Steam cleaners must not be used when cleaning this appliance.
- The performance of your extractor will vary depending on a number of factors. These include: type of extraction, length of ducting, room volume, ventilation available and cleanliness of the filters.

# Using your extractor

For best performance, you should switch on the extractor 15 minutes before starting to cook and leave it to run for approximately 15 minutes after the end of cooking.

## Control Panel



A - Hob lighting key

G - Function lights

B - Edge lighting key

H - Fan speed key

C - Speed indicator

J - On/Off key

D - Clock display

### To switch the hob lighting function on or off

- Touch the “hob lighting” key (A) to light up your hob. The “Lights on” indicator will illuminate to show that the lights are on.

### To switch the edge lights on and off

- Touch the “Edge lighting” key (B) briefly to turn the edge lighting on.
- Touch the “Edge lighting” key (B) briefly, again, to turn the edge lights off.

### To change the edge light colour

- Touch the “Edge lighting” key (B) briefly to turn the edge lighting on (if they aren’t already on).

- Touch the “Edge lighting” key (B) again and hold it for 2 seconds.
- Allow the lights to scroll through the available colours automatically.
- When the required colour shows, touch the “Edge lighting” key (B) briefly to set this as the default.
- The edge lights will then come on in that colour straight away when switched on in future.

### **To switch the extractor on**

- Touch the “On/Off” key (J) briefly to turn the appliance on.
- Touch the “Fan speed” key (H) briefly several times to scroll through the speed options available. These are “Low”, “Medium”, “High” and “Off”.

### **To change the speed at any time when the extractor is running**

- Touch the “Fan speed” key (H) briefly several times to scroll through the speed options available. These are “Low”, “Medium”, “High” and “Off”.

### **To switch the extractor off**

- Touch the “Fan speed” key (H) briefly several times to scroll through the speed options available: Select the “Off” setting.
- Touch the “On/Off” key (J) briefly to turn the appliance off.

### **To set the timer**

- When the motor is running, touch the “On/Off” key (J) briefly to turn the timer on. The “Timer on” indicator will illuminate to show that the timer is active.
- Touch the “Fan speed” key (H) briefly several times to select the time, the time in whole minutes is shown on the LCD display. This

---

may be set to any number of minutes between 1 and 9. Note that if the “Fan speed” key is not touched within 5 seconds the timer will switch off and need to be turned on again before setting the time.

- When the set time has elapsed the motor will automatically switch off.

### **To turn off the timer**

When the motor is still running the timer may be cancelled at any time.

- Touch the “On/Off” key (J) briefly to turn the timer off.

This turns off the motor as well so it is necessary to turn the motor on again if you haven’t finished with it.

### **To set the clock**

When the motor is not running the clock time can be set.

- Touch the “On/Off” key (J) and hold it for 2 seconds. The hour figures will flash to show they are being set.
- While the hour figures are still flashing, touch the “Fan speed” key (H) briefly several times to set the hours on the LCD display. Note that if the “Fan speed” key is not touched within 5 seconds the clock will exit setting mode and the procedure needs to be started again to set it.
- Touch the “On/Off” key (J) briefly. The minute figures will flash to show they are being set.
- While the minute figures are still flashing, touch the “Fan speed” key (H) briefly several times to set the minutes on the LCD display. Note that if the “Fan speed” key is not touched within 5 seconds the clock will exit setting mode and the procedure needs to be started again to set it.
- Wait 5 seconds, until the display stops flashing. The time is now set.



## Care and maintenance

**IMPORTANT : DO NOT PERFORM MAINTENANCE OR CLEANING OF THE EXTRACTOR WITHOUT FIRST SWITCHING OFF THE ELECTRICITY SUPPLY.**

### Cleaning

You should use a nonabrasive cleaner. Any abrasive cleaner (including Cif) will scratch the surface and could erase the control panel markings.

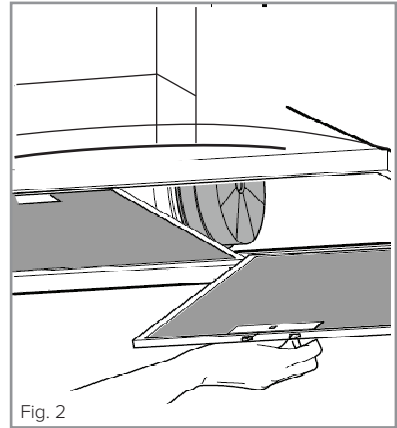
You can clean your extractor effectively by simply using a dilute solution of water and mild detergent and drying to a shine with a clean cloth, for example a micro-fibre Cloth.

### Cleaning the grease filter

The grease filter should be kept clean to minimise the risk of fire.

At least once a month you should remove and clean the grease filter with hot soapy water. You can also wash the grease filter in a dishwasher, ensuring that you place it in an upright position to prevent damage from other items in the dishwasher.

To remove the grease filter, push in the button on the handle and then pull down on the filter at the front as shown in figure 2. When you have released it at the front, then you can pull the filter out completely.



---

After rinsing and drying, reassemble the grease filter to the hood by reversing the removal process.

**Please note:**

Cleaning the grease filter in the dishwasher may lead to discolouration. This is normal and does not constitute a fault with the appliance.

**Changing the charcoal filter (re-circulating mode only)**

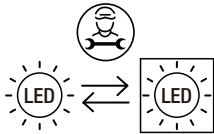
To ensure best performance of your extractor, you should replace the charcoal filter every four to six months, depending on use.

**To attach the charcoal filter:**

- Remove the grease filter as described on the previous page.
- With the magnets on the charcoal filter facing upwards (i.e. towards the extractor motor), attach the filter. Leave the tab on the filter accessible for when you need to remove it.
- Finally, replace the grease filters.

## LED lighting

**In case of malfunction of the illumination system contact the technical service.**



Replaceable (LED only) light source by a professional

Contact details are on page 13.

## Mains electricity connection

**THIS APPLIANCE MUST BE CONNECTED TO THE MAINS SUPPLY BY A COMPETENT PERSON, USING FIXED WIRING VIA A DOUBLE POLE SWITCHED FUSE SPUR OUTLET AND PROTECTED BY A 3A FUSE.**

We recommend that the appliance is connected by a qualified electrician, who is a member of the N.I.C.E.I.C. and who will comply with the I.E.T. and local regulations.

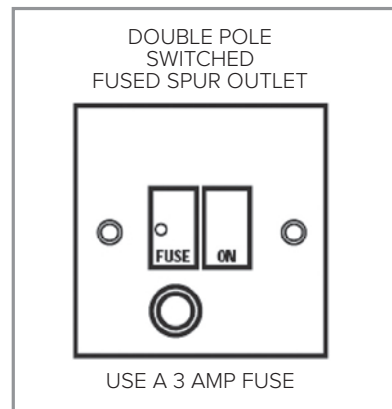
The wires in the mains lead of this appliance are coloured in accordance with the following code:

**Green & Yellow = Earth**

**Blue = Neutral**

**Brown = Live**

As the colours of the wires in the mains lead for the appliance may not correspond with the coloured markings



---

identifying the terminals connecting to the fuse spur, proceed as follows:

- The wire which is coloured green and yellow must be connected to the terminal marked E (Earth) or coloured green.
- The wire which is coloured blue must be connected to the terminal marked N (Neutral) or coloured black.
- The wire which is coloured brown must be connected to the terminal marked L (Live) or coloured red.

**Note: Use a 3A Fuse.**

Assembly and electrical connection should be carried out by specialised personnel.

When installing this product we recommend you seek the help of another individual.

## Electrical information

Mains electrical voltage: 230-240Vac

**Total rated power consumption:**

111W

# Troubleshooting

## **Please note:**

Your extractor is equipped with a motor protection device that will switch off the motor to prevent damage from overheating. This may happen during cooking when most or all of the zones/burners are being used simultaneously, or if your extractor is installed incorrectly, lower than the recommended height.

This is normal, and the extractor will work again once the motor has cooled sufficiently.

## **If your extractor is not working:**

1. Check that the mains supply has not been switched off.
2. Check that the fuse in the spur has not blown.
3. Check that the control panel is clean and free from grease

## **Contact CDA Customer Care**

**A:** Customer Care Department, The CDA Group Ltd, Harby Road,  
Langar, Nottinghamshire, NG13 9HY

**T:** 01949 862 012

**F:** 01949 862 003

**E:** [customer.care@cda.eu](mailto:customer.care@cda.eu)

**W:** [www.cda.eu](http://www.cda.eu)

## Mounting your extractor

When the extractor is to be installed above an electric hob, the minimum distance between the hob and extractor must exceed 600mm for ceramic and solid plate hobs and 550mm for induction Hobs.

When the extractor is to be installed above a gas hob, the minimum distance between the hob and extractor must exceed 650mm.

If the instructions provided with your gas hob state that the required distance between the hob and extractor must be greater than 650mm, then that is the distance that should be observed; this is a legal requirement and may lead to your hob being disconnected from the gas supply and the installation being reported under RIDDOR.

**Note:** The height should be measured from the top of the burners.

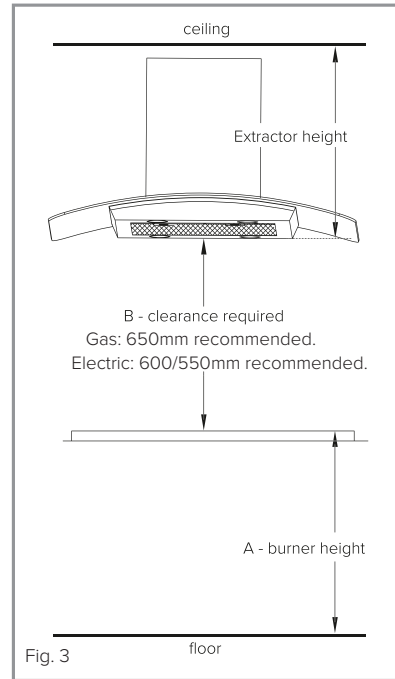


Fig. 3

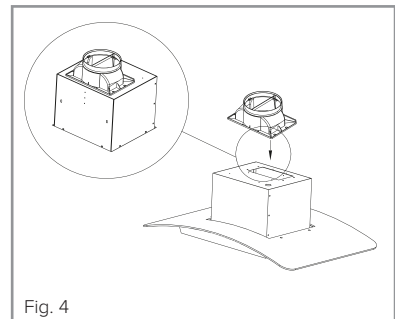


Fig. 4

**IN THE ABSENCE OF ANY INSTRUCTIONS SUPPLIED WITH THE GAS HOB, THE MINIMUM DISTANCE BETWEEN THE HOB AND EXTRACTOR MUST BE AT LEAST 650mm.**

The width of any hob must not be greater than the width of the extractor installed above it.

## Installation

**The metal casing of this appliance has been coated with a preservative to protect it during transport and storage. This should be removed during installation by using a non-abrasive stainless steel cleaner. Always follow the instructions given with the cleaner being used. Please ensure that there is no power being supplied to the appliance whilst you do this.**

### Ducting and Ventilation

For best performance and lowest noise output, we recommend the use of 125mm ducting. 100mm ducting may be used but this will reduce performance and increase the noise of the extractor.

#### Note:

- We recommend that you seek the help of another individual when installing this product.
- The fixings supplied are suitable for most installations. It is the responsibility of the installer to ensure that the fixings are suitable for the ceiling type in the property.
- Please cover any hob, or surface below the area in which the extractor is to be installed, so that no damage befalls it.

### **Installation steps:**

1. Firstly, fix the vent outlet to the extractor body using the provided four screws, as shown in Fig. 4.
2. Using the supplied template, mark the positions of the ceiling mounting screws and make the cut-out for the ducting pipe, if required.  
Fix four suitable wall plugs into the holes and proceed to assemble the extractor.
3. To determine the overall height of the body section, use the calculation shown below (and on page 14) for your extractor. **See page 18 for different installation heights.**

A = Height of gas hob burner or electric hotplate height from the kitchen floor.

B = Clearance required:

Gas hobs - 750mm recommended

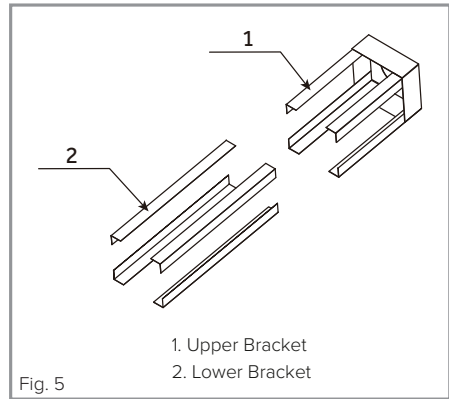
Electric hobs - 650mm recommended

**A + B is the required height of the body of the extractor above the floor. Use this measurement, subtracted from the ceiling height, to work out the required chimney setup height. The support frame, to be assembled in the next step, is adjustable.**

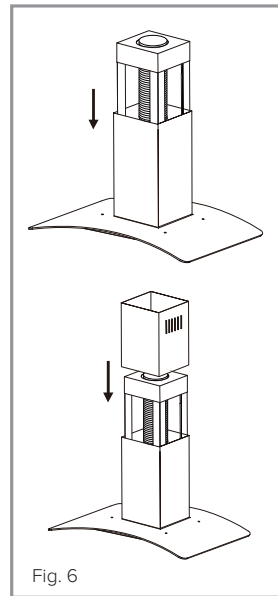
4. Assemble the support frame (1 and 2 in Fig. 5) using the supplied fixing screws and secure to the extractor body as per Fig. 6. Use the adjustment holes on the support frame pieces to achieve the required height (calculated previously).



5. Ensure that the final assembled extractor will still give the clearances required for whatever hob is beneath it. When you are happy that it will, place the chimney sections over the body assembly (Fig. 7).

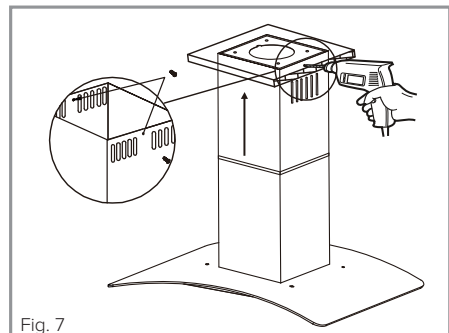


6. With the help of another person, raise the whole assembly to the ceiling and fix securely in place using four screws appropriate for the wall plugs that were inserted in step 2. Ensure that the supporting ceiling is strong enough to take the weight of the extractor before releasing it.

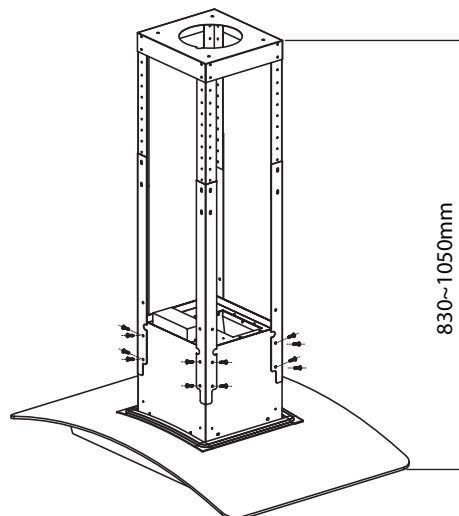
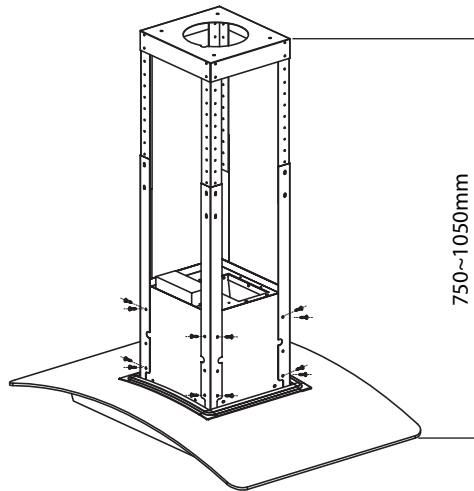


7. Connect the ducting to the extractor vent outlet. Secure it in place with a jubilee clip or similar.

8. Raise the inner section of the chimney to the ceiling and secure in place using the two small screws supplied.



9. Please note that the electrical connection to the extractor should not be located inside the boundaries of the chimney. This is especially important if the extractor is to be used in recirculation mode. There must be an isolation switch, which is easily accessible after installation, so that the extractor can be disconnected from the mains electrical supply. See pages 11-12 for more information.



| Energy Efficiency Information                                      |              |          |         |
|--|--------------|----------|---------|
| Attribute  | Symbol       | Value    | Units   |
| Model Identification   |              | EKPK90   |         |
| Annual Energy Consumption  | $AEC_{Hood}$ | 66.3     | kWh     |
| Time increase factor   | $f$          | 1.7      |         |
| Fluid Dynamic Efficiency   | $FDE_{Hood}$ | 8.4      |         |
| Energy Efficiency Index  | $EEl_{Hood}$ | 90.8     |         |
| Measured airflow at Best Efficiency Point                          | $Q_{BEP}$    | 224.3    | $m^3/h$ |
| Measured Pressure at Best Efficiency Point                         | $P_{BEP}$    | 126      | Pa      |
| Maximum airflow  | $Q_{MAX}$    | 387.4    | $m^3/h$ |
| Measured electric power at Best Efficiency Point                   | $W_{BEP}$    | 93.3     | W       |
| Nominal lighting power   | WL           | 8        | W       |
| Average illumination of the lighting system on the cooking surface | $E_{Middle}$ | 730      | Lux     |
| Measured power consumption in standby                              | $P_S$        | 0.7      | W       |
| Measured power consumption off mode                                | $P_O$        | 0.47     | W       |
| Sound power level  | $L_{WA}$     | 61       | dBA     |
| Grease Filter Efficiency   | $GFE_{Hood}$ | 69.7 (D) | %       |
| Lamp efficiency  | $LE_{Hood}$  | 91 (A)   | %       |

E & O E. All instructions, dimensions and illustrations are provided for guidance only. CDA reserve the right to change specifications without prior notice.



**For service or queries relating to your product please contact:**

The Customer Care Department on **01949 862 012** or email [customer.care@cda.eu](mailto:customer.care@cda.eu)

**For more information please contact:**

The Sales Department on **01949 862 010** or email [sales@cda.eu](mailto:sales@cda.eu)

**Customer Care Department.** The CDA Group Ltd, Harby Road, Langar, Nottinghamshire, NG13 9HY  
**T:** 01949 862 012 **F:** 01949 862 003 **E:** [customer.care@cda.eu](mailto:customer.care@cda.eu)