

EDD62 EDD92

Downdraft extractor
Installation, use and maintenance

Contents

- 3 Important information
- 5 Using your extractor
- 7 Changing the charcoal filter
- 8 Mounting your extractor
- 8 Ducting and ventilation
- 9 Troubleshooting
- 10 Installation
- 12 Guarantee
- 13 Mains electrical connection
- 14 Energy Efficiency Information

Important information

The CDA Group Ltd cannot be held responsible for injuries or losses caused by incorrect use or installation of this product. Please note that CDA reserve the right to invalidate the guarantee supplied with this product following incorrect installation or misuse of the appliance or use in a commercial environment.

This appliance is not designed to be used by people (including children) with reduced physical, sensorial or mental capacity, or who lack experience or knowledge about it, unless they have had supervision or instructions on how to use the appliance by someone who is responsible for their safety.

Under no circumstances should any external covers be removed for servicing or maintenance except by suitably qualified personnel.

Appliance information:

Please enter the details on the appliance rating plate below for reference, to assist CDA Customer Care in the event of a fault with your appliance and to register your appliance for guarantee purposes.

Appliance Model	
Serial Number	

Declarations of Conformity:

This appliance has been manufactured to comply with all EU & UK statutory requirements and complies with all applicable legislation and the following European Directives:

- The Low Voltage Directive 2014/35/EU
- Electromagnetic Compatibility Directive 2014/30/EU


The product has been marked with the UKCA and CE symbols.



This appliance is marked according to the European directive 2004/104/EC on Waste Electrical and Electronic equipment (WEEE).

IMPORTANT INFORMATION FOR THE CORRECT DISPOSAL OF THE PRODUCT IN ACCORDANCE WITH EC DIRECTIVE 2002/96/EC.

At the end of its working life, the product must be taken to a special local authority waste collection centre or to a dealer providing appliance recycling services.

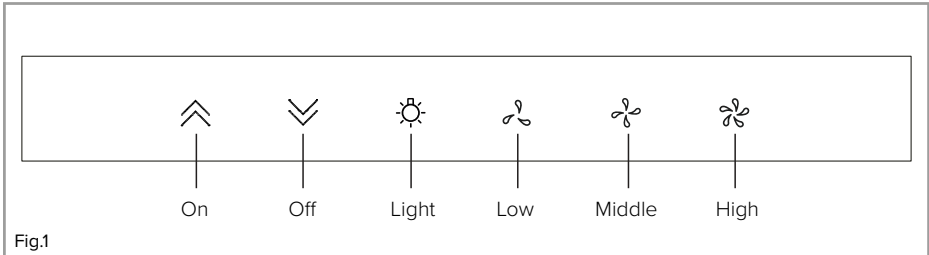
Disposing of a household appliance separately avoids possible negative consequences for the environment and health. It also enables the constituent materials to be recovered, saving both energy and resources. As a reminder of the need to dispose of household appliances separately, the product is marked with a crossed-out wheeled dustbin 

Please note:

- Under no circumstances should the extractor be connected to any gas ventilation system, flue system or hot air ducting system
- Do not vent the extractor into an attic or loft space
- Only house the extractor in rooms with adequate ventilation. Remember that the extractor is powerful and whatever air is extracted needs to be replaced
- Do not tile the extractor in. It should be removable for service or maintenance
- You must be able to isolate the extractor from the mains electrical supply after installation
- This extractor has been designed to be used in a room with a volume of less than 90m³
- Steam cleaners must not be used when cleaning this appliance.
- The performance of your extractor will vary depending on a number of factors. These include: type of extraction, length of ducting, room volume, ventilation available and cleanliness of the filters

Using your extractor

For best performance, you should switch on the extractor 15 minutes before starting cooking and for approximately 15 minutes after cooking.



Control panel

- ⤴ Touch the on key for 2 seconds to raise the extraction panel. Once the extraction panel has risen halfway, the fan will start working at low speed
- ⤵ Touch the off key for 2 seconds to lower the extraction panel. Once the extraction panel has descended halfway, the fan will stop operating
- ☀ Press the light key to switch the lights on or off. Once the extraction panel descends to halfway, the lights will switch off automatically
- 🌀 Touch the low key to start the fan at the lowest setting. Touch again to turn off the fan. Touching either the middle or high keys will change the fan setting
- 🌀 Touch the middle key to start the fan at the middle setting. Touch again to turn off the fan. Touching either the low or high keys will change the fan setting
- 🌀 Touch the high key to start the fan at the highest setting. Touch again to turn off the fan. Touching either the low or middle keys will change the fan setting

Timer Function

Touch any of the fan setting keys for 3 seconds when the appliance is on and the key will flash. The extractor will enter timer mode and will automatically stop after 15 minutes.

Care and Maintenance

IMPORTANT: DO NOT PERFORM MAINTENANCE OR CLEANING OF THE EXTRACTOR WITHOUT FIRST SWITCHING OFF THE ELECTRICITY SUPPLY.

Cleaning


You should use a non-abrasive cleaner. Any abrasive cleaner (including Cif) will scratch the surface and could erase the control panel markings.

You can clean your extractor effectively by simply using a dilute solution of water and mild detergent and drying to a shine with a clean cloth.

Cleaning the grease filter

The grease filter should be kept clean to minimise the risk of fire. At least once a month you should remove and clean the grease filter with hot soapy water. You can also wash the grease filter in a dishwasher, ensuring that you place it in an upright position to prevent damage from other items in the dishwasher. After rinsing and drying, replace the filter.

To remove and replace the grease filters

- Touch the On key  so the moving panel raises to its full extent, then isolate the power supply so it stays raised
- By pulling the two top corners of the front glass panel at the same time, it will be released and pivot toward you
- The grease filter can then be pulled forward and out
- Replacement is a reversal of the removal procedure

Please note:

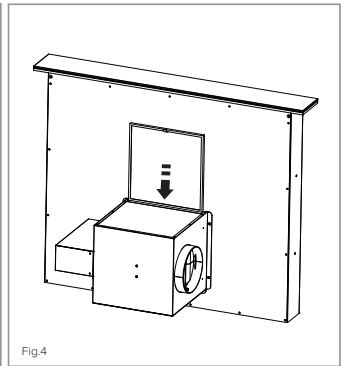
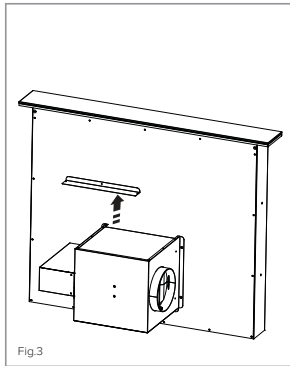
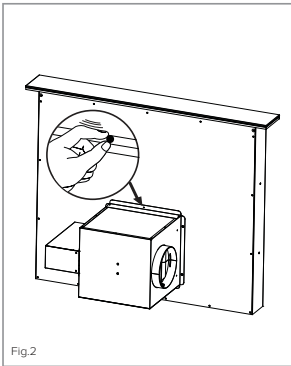
Cleaning the grease filters in the dishwasher may lead to discolouration. This is normal and does not constitute a fault with the appliance.

Changing the charcoal filter

To ensure the best performance of your extractor, you should replace the charcoal filter every four to six months, depending on use.

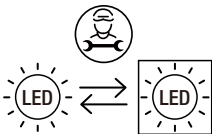
To replace the charcoal filter:

- Unscrew the panel on top of the motor housing box by turning the black screw counter clockwise as shown in fig.2 and remove the panel as shown in fig.3
- Hold the tab of the filter towards you and lower the filter down in to the opening as shown in fig.4
- Attach the magnetic strips to the extractor body leaving the tab slightly tilted upwards to allow for easy removal
- Replace the panel on top of the opening and screw it back in



LED lighting

In case of malfunction of the illumination system contact the technical service.



Replaceable (LED only) light source by a professional

Mounting your extractor

When the extractor is to be installed behind a gas hob, the minimum distance between the hob and extractor must be 30mm. If fitting behind an electric hob, the minimum distance between the hob and extractor must be 20mm.

If the instructions provided with your gas hob state that the required distance between the hob and extractor must be greater than specified above, then that is the distance that should be observed; this is a legal requirement and may lead to your hob being disconnected from the gas supply and the installation being reported to RIDDOR.

IN THE ABSENCE OF ANY INSTRUCTIONS SUPPLIED WITH THE GAS HOB, THE MINIMUM DISTANCE BETWEEN THE HOB AND EXTRACTOR MUST BE AT LEAST 30mm.

The width of any hob must not be greater than the width of the extractor installed with it.

Ducting and ventilation

- For best performance and lowest noise output, we recommend the use of 150mm ducting. Use of any smaller ducting will reduce performance and increase noise
- The length of ducting should not exceed 5 metres in total
- Limit the use of elbows in the ducting to a minimum. Bear in mind that each elbow imposes a similar restriction to flow to a 1 metre length of straight ducting
- Avoid abrupt changes in direction for the ducting
- Ensure that the ducting used satisfies all local and national standards applicable to the installation

Troubleshooting

In the event of your appliance requiring technical assistance and/or spare parts, please contact CDA Customer Care.

In this case it is necessary to state all the appliance data on the rating plate, such as model, serial number etc. This information can be found behind the grease filter.

CDA Customer Care

Phone: 01949 862 012

Email: customer.care@cda.eu

Problem	Reason	Solution
The appliance does not work	No power/ power outage	Check the fuse, replace if blown
	Wires have disconnected	Ensure the power supply is securely connected
Output of appliance is low	Setting is too low for amount of fumes present	Try a higher speed setting
	Inadequate ventilation in the kitchen	Ensure the kitchen has sufficient air intake
	Charcoal filter (if fitted) is blocked	Replace the charcoal filter
	Ducting is obstructed	Remove any obstructions from the ducting
	Exit flaps on the motor housing are restricted	Ensure any obstructions are removed so the flaps can move freely
Extractor stops mid operation	There is a power outage	Check the power supply
	The circuit breaker or fuse has tripped	Check the circuit breaker or fuse

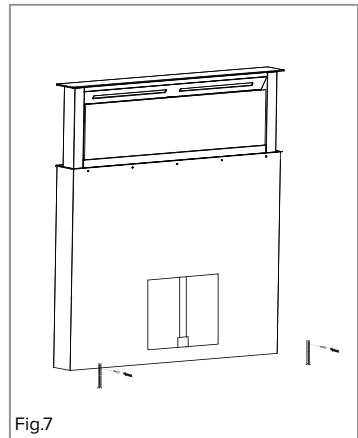
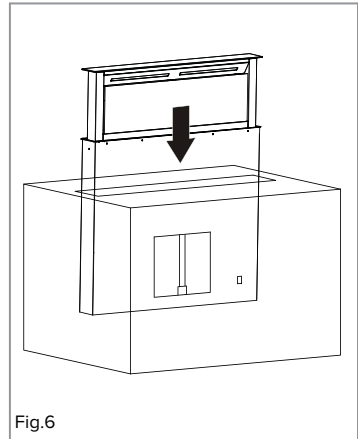
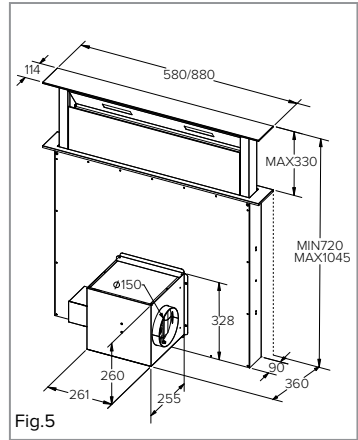
Installation

We recommend that you seek the help of another individual when installing this product. The fixings supplied are suitable for most installations. It is the responsibility of the installer to ensure that the fixings are suitable for the cabinets in the property.

- 1) Prior to installation, check that all parts are present and free from transit damage. In the event of damage being discovered contact your supplier and do not proceed with installation
- 2) Before making a cut-out in the kitchen cabinets or worktop, ensure that there are no structural (or other) obstructions that would hinder installation. Ensure that the cabinet dimensions are sufficient to accommodate the extractor, allowing for the specified clearance between the final installed positions of the extractor and the hob
- 3) Make a rectangular cut-out in the worktop to accommodate the extractor.
The dimensions of the cut-out should be:-

EDD62 - 510 x 100mm

EDD92 - 810 x 100mm



4) If your extractor has been supplied with the motor housing already mounted on the main body, this needs to be dismantled to enable the extractor to be inserted through the worktop cut-out

6) Lower the main body of the extractor in to the cavity opening and in to position as per Fig.6

7) Use the screws provided to fix the brackets to the extractor (Fig.7) and then the bracket to the cabinet interior (Fig.8). The minimum distance between the bottom of the bracket and the bottom of the cabinet is 20mm and the maximum is 60mm

Note: Ensure that the extractor unit is vertical and perpendicular to the worktop before fitting the brackets to the cabinet base

8) Fit the motor housing to the body of the extractor with the screws provided as shown in Fig.9

9) Connect suitable ducting to the extractor outlet. See page 8 for ducting requirement details

10) Connect the power cables between the motor housing and the extractor body (Fig.10)

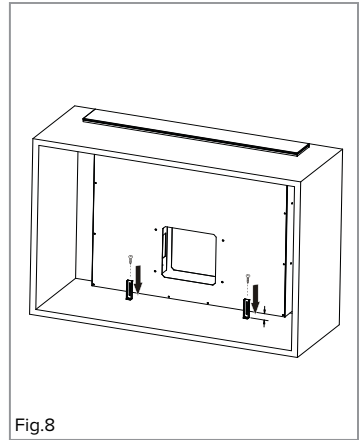


Fig.8

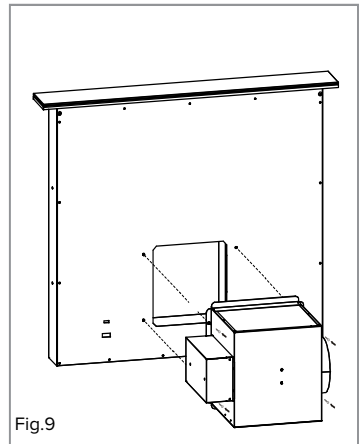


Fig.9

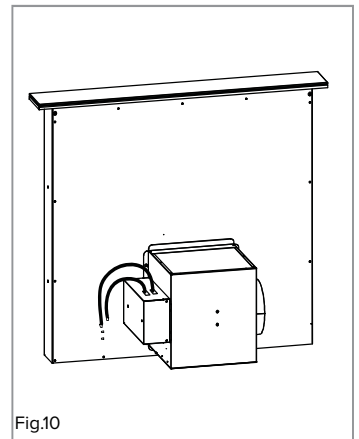


Fig.10

Guarantee

Your new product is guaranteed against defect in materials and/or workmanship. Any parts found to be defective will be repaired or replaced at our discretion. All repairs must be carried out by an authorised repair agent. Your extractor comes with a 5 year parts and 2 year labour guarantee.

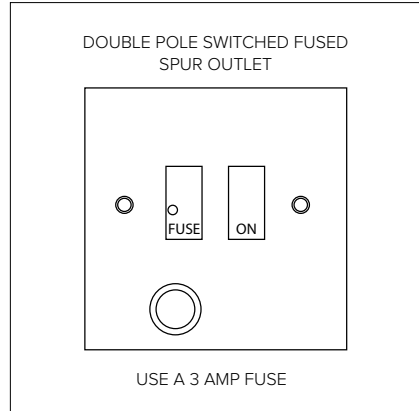
This guarantee is valid providing that:	This guarantee does not cover:
<ul style="list-style-type: none">• The appliance has been installed by a suitably qualified person• Installation has been carried out in accordance with instructions and current legislations• Proof of purchase can be produced• The appliance has been used for domestic purposes only• The appliance has not been tampered with or repair attempted or modified by any unauthorised person	<ul style="list-style-type: none">• Damage by misuse, neglect or transit• Use of parts that have not been recommended• Routine maintenance, general wear & tear and installation faults• Rubber seals, removable glass and/or plastic parts, fuses or light bulbs which all need replacing periodically• Second hand or reconditioned appliances• Appliances used for commercial or professional purposes

Mains electrical connection

Warning! This appliance must be earthed.

This appliance must be connected by a competent person, using fixed wiring via a double pole switched fused spur outlet, protected by a 3A fuse.

We recommend that the appliance is connected by a qualified electrician, who is a member of the N.I.C.E.I.C. and who will comply with the I.E.T. and local regulations. The wires in the mains lead are coloured in accordance with the following code:



GREEN AND YELLOW = EARTH
BLUE = NEUTRAL
BROWN = LIVE

As the colours of the wires in the mains lead for the appliance may not correspond with the coloured markings identifying the terminals in your spur box, proceed as follows:

1. The wire which is coloured green and yellow must be connected to the terminal marked E (Earth) or coloured green
2. The wire which is coloured blue must be connected to the terminal marked N (Neutral) or coloured black
3. The wire which is coloured brown must be connected to the terminal marked L (Live) or coloured red

Energy Efficiency Information

Attribute	Symbol	Value		Units
Model Identification		EDD62BL	EDD92BL	
Annual Energy Consumption	AEC _{Hood}	55.45	55.45	kWh
Time increase factor	f	1.12	1.12	
Fluid Dynamic Efficiency	FDE _{Hood}	24.3	24.3	
Energy Efficiency Index	EEl _{Hood}	63.6	63.6	
Measured airflow at Best Efficiency Point	Q _{BEP}	296.16	296.16	m ³ /h
Measured Pressure at Best Efficiency Point	P _{BEP}	370.46	370.46	Pa
Maximum airflow	Q _{MAX}	549.1	549.1	m ³ /h
Measured electric power at Best Efficiency Point	W _{BEP}	125.23	125.23	W
Nominal lighting power	WL	5.8	5.6	W
Average illumination of the lighting system on the cooking surface	E _{Middle}	138	131	Lux
Measured power consumption in standby	P _S	/	/	W
Measured power consumption off mode	P _O	0.38	0.35	W
Sound power level	L _{WA}	67	67	dBA
Grease Filter Efficiency	GFE _{Hood}	31.4 (G)	56.7 (E)	%
Lamp efficiency	LE _{Hood}	23.8 (B)	23.4 (B)	%

Notes

The CDA Group

Harby Road

Langar

Nottinghamshire

NG13 9HY

Sales Department

Phone: 01949 862010

Email: sales@cda.eu

CDA Customer Care

Phone: 01949 862012

Email: customer.care@cda.eu

