

|C|D|A|

**CCG**

Built-in extractors

Installation, use and maintenance



# Contents

- 3. Important
- 4. Declaration of Conformity  
product disposal
- 5. Notes
- 6. Operation
- 9. Care and maintenance  
Removing and cleaning the grease filters  
Changing a charcoal filter
- 11. Extractor lighting
- 11. Notes on operating modes
- 12. Mains electrical connection
- 13. Electrical information
- 14. Fixings provided
- 14. Product dimensions
- 16. Installation steps  
Ducting and ventilation
- 17. Energy Efficiency Information (product fiche)
- 18. Notes page

## Important

The CDA Group Ltd cannot be held responsible for injuries or losses caused by incorrect use or installation of this product. Please note that CDA reserves the right to invalidate the guarantee supplied with this product following incorrect installation or misuse of the appliance or use in a commercial environment.

This appliance is not designed to be used by people (including children) with reduced physical, sensory or mental capacity, or who lack experience or knowledge about it, unless they have had supervision or instructions on how to use the appliance by someone who is responsible for their safety.

Under no circumstances should any external covers be removed for servicing or maintenance except by suitably qualified personnel.

### Appliance information

Please enter the details on the appliance rating plate below for reference, to assist CDA Customer Care in the event of a fault with your appliance and to register your appliance warranty.

Appliance model	
Serial number	

## EU Declarations of Conformity

This appliance has been designed and manufactured to comply with all applicable UK and EU legislation,

- Low voltage Directive, 2014/35/EU
- Electromagnetic compatibility Directive, 2014/30/EU
- ErP Directive, 2009/125/EC
- RoHS Directive, 2011/65/EU

and has been marked with the following symbols.



## IMPORTANT INFORMATION FOR CORRECT DISPOSAL OF THE PRODUCT IN ACCORDANCE WITH EU DIRECTIVE 2012/19/EU.

At the end of its working life, the product must be taken to a special local authority waste collection site, or to a dealer providing appliance recycling services.

Disposing of a household appliance separately avoids possible negative consequences for the environment and health. It also enables the constituent materials to be recovered, saving both energy and resources. As a reminder of the need to dispose of household appliances separately, the product is marked with a crossed-out wheeled dustbin.



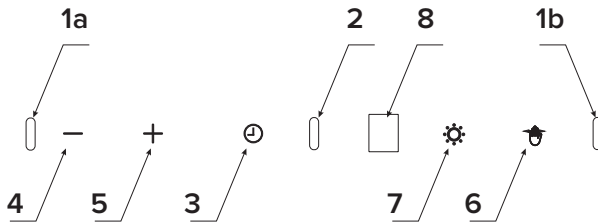
## **Please note**

- Under no circumstances should the extractor be connected to any gas ventilation system, flue system or hot air ducting system.
- Do not vent the extractor into an attic or loft space.
- Only house the extractor in rooms with adequate ventilation. Remember that the extractor is powerful and whatever air is extracted needs to be replaced.
- Do not tile the extractor in. It should be removable for service or maintenance.
- Do not use silicone sealant to secure the hood to the wall.
- You must be able to isolate the extractor from the mains electrical supply after installation.
- This extractor has been designed to be used in a room with a volume of less than 36m<sup>3</sup>.
- Steam cleaners must not be used when cleaning this appliance.
- The performance of your extractor will vary depending on several factors. These include type of extraction, length of ducting, room volume, ventilation available and cleanliness of the filters.
- The extractor should be cleaned regularly to prevent build-up of grease. We recommend cleaning both inside and outside the appliance monthly. Failure to observe the requirements specified in this manual can result in a fire risk.

# OPERATION

## Cooker hood controls

Control Panel is shown below:



The appliance is fitted with gesture control sensors (1a, 1b, 2) and a display (8) .

The control panel features touch controls: Control functions are described below:


3- 15min Timer

4- Reduce fan speed

5- Increase fan speed

6- Gesture control on/off

7- Light control

After connecting the appliance to the power supply, all indicators will light up for a brief moment and the display will also show **8** . Then all indicators and the display will go out, only the gesture control sensor  is illuminated on the control panel. The hood will enter standby mode, which is indicated by a dot on the display.


When activated, touch **+** to start the fan.

Available fan speeds:

- Low speed ( 1 ). Use this speed when cooking a little food with hardly any fumes.
- Medium speeds ( 2 - 3 ). Use this speed when cooking multiple dishes at the same time with moderate amount of fumes.
- Turbo ( **P** ) – use this speed when frying or grilling with large amount of fumes. Attention! The Turbo mode is active only for 5 minutes (the dot on the display flashes), after this time the gear will automatically reduce to a lower level.


Use the **+** and **-** sensors to increase or reduce fan speed.

Note! Turbo mode is only active for 5 minutes, then fan speed is reduced automatically to one level down.




To turnoff the fan, touch **-** repeatedly until fan speed is reduced to zero .

Touch  to turn on / off the lighting.

## Off-Timer

Use Off-Timer to turn off the hood after a specified time. Use Off-Timer to filter the fumes out of the air after cooking. Touch  to activate the Off-Timer at any time. The appliance will automatically turn off after approximately 15 minutes.

## Gesture control

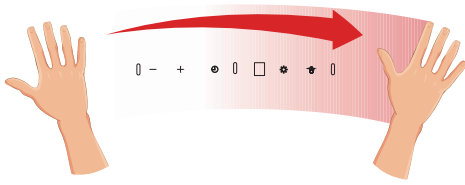
When you plug in your appliance, gesture control is active and  indicator is on. Touch  to turn off the gesture control. Touch  again to reactivate gesture control.

You can use gestures to control the fan speed and lighting. When gesture control is active, you can also control the appliance using the touch sensors. Gesture control works correctly when you move your open hand about 5–10 cm from the surface of the control panel.

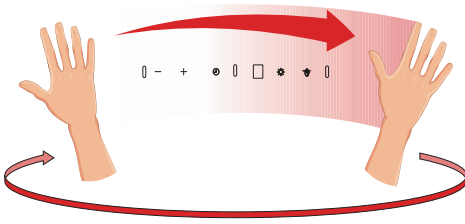
Note: To adjust the fan speed you need to move your hand across the sensors as shown on Figure 4, items 1a and 1b. The area over which to move your hand is marked on the figures presented below in this manual.

If activating a certain function (such as turbo speed) requires multiple hand gestures, reposition your hand for another gesture away from the control panel to avoid triggering the motion sensors). Hand movements must not be too fast. Preferably, a single gesture should take about 1 second.

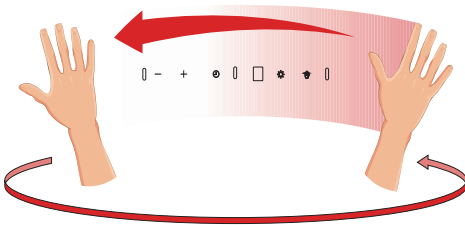




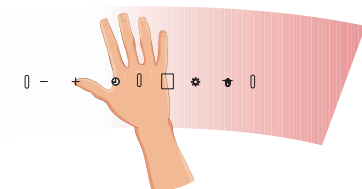
To activate the appliance, move your hand across the sensors from left to right. The display will show **0**.



To turn on the fan or increase fan speed, move your hand from left to right several times in standby mode. The display will show the current fan speed after each hand gesture.



To turn off the fan or reduce fan speed, move your hand from right to left several times in standby mode until the display shows **0**. Move your hand one more time and the appliance will turn off (gesture control will still be active)



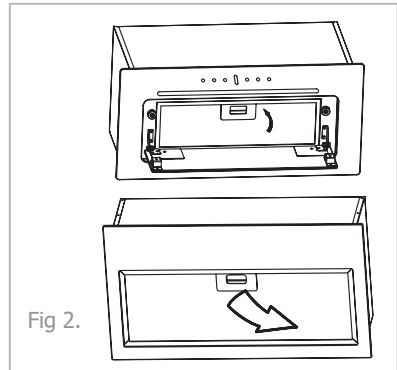
To turn the lighting on or off, hover your hand about 10 cm above sensor 2.

## Cleaning

You should use a non-abrasive cleaner. Any abrasive cleaner (including Cif) will scratch the surface and could erase the control panel markings. You can clean your extractor effectively by simply using a dilute solution of water and mild detergent and drying to a shine with a clean cloth. Ensure that the extractor is dry after cleaning.

### Removing the grease filter

To remove the grease filter, pushing the button on the handle and then pull down on the filter at the front, as shown in figure 2. Once released at the front it can be pulled completely away.



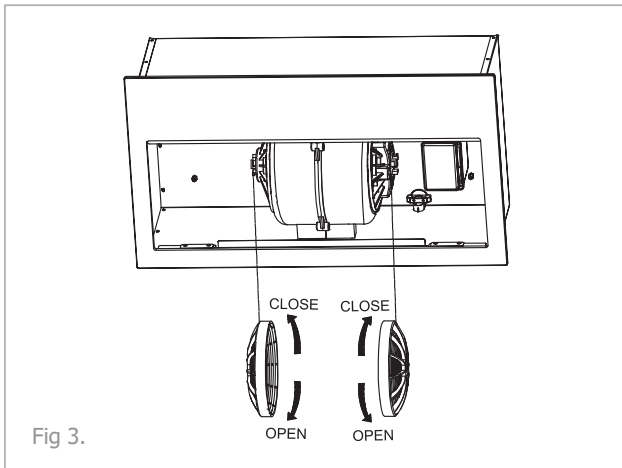
### Cleaning the grease filter

The grease filter should be kept clean to minimise the risk of fire. At least once a month you should remove and clean the grease filter with hot soapy water. You can also wash the grease filter in a dishwasher, ensuring that you place it in an upright position to prevent damage from other items in the dishwasher. After rinsing and drying, replace the filter.

Please note that cleaning the grease filter(s) in a dishwasher may cause the filters to discolour. This is normal and does not constitute a fault with the appliance.

## Changing the charcoal filter

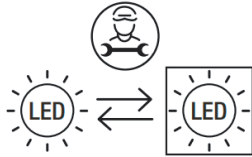
To ensure the best performance of your extractor, you should replace the charcoal filter every three to six months, depending on the frequency of use and the style of cooking. To attach new charcoal filters, first remove the grease filter(s) as described on the previous page. Offer up the charcoal filters to the sides of the motor as shown in figure 3, turning it clockwise until it locks in place.



Please note that charcoal filters are only required when the extractor is being used in recirculation mode. Charcoal filters are not supplied and are available to purchase from our Customer Care team.

## Extractor lighting

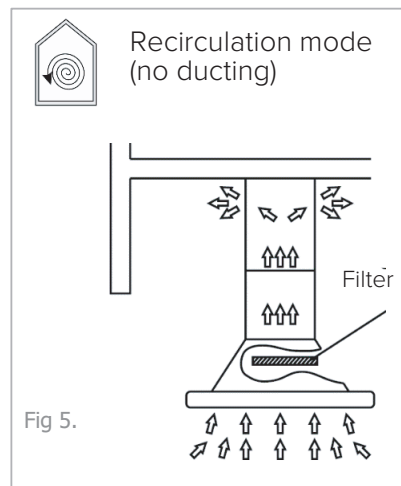
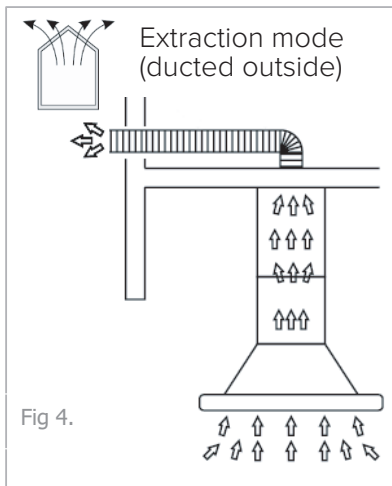
The lighting on your extractor uses energy efficient LED technology and is designed to last the lifetime of the product. If the LED system malfunctions, please contact CDA Customer Care.



**The LED units must only be replaced by a competent appliance service engineer.**

## Operating modes

Your extractor can be used in either of two modes - recirculation or extraction. The choice often depends on the specific installation requirements. Your installer will be able to advise which is best for you.



**Note that when used in recirculation mode, the extractor will only remove grease and odours from cooking. It will not remove steam.**

# Mains electricity connection

**THIS APPLIANCE MUST BE CONNECTED TO THE MAINS SUPPLY BY A COMPETENT PERSON, USING FIXED WIRING VIA A DOUBLE POLE SWITCHED FUSED SPUR OUTLET AND PROTECTED BY A 3A FUSE.**

We recommend that the appliance is connected by a qualified electrician, who is a member of the N.I.C.E.I.C. and who will comply with the I.E.T. and local regulations.

The wires in the mains lead of this appliance are coloured in accordance with the following code:

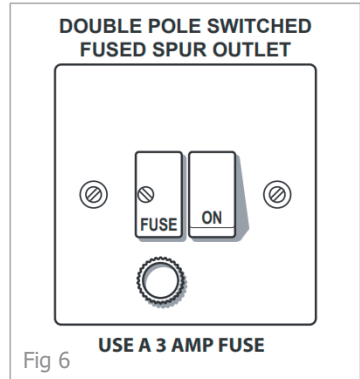


Fig 6

BLUE = NEUTRAL, BROWN = LIVE, GREEN & YELLOW = EARTH

As the colours of the wires in the mains lead for the appliance may not correspond with the coloured markings identifying the terminals connecting to the fused spur, proceed as follows:

- The wire which is coloured green & yellow must be connected to the terminal marked E (Earth) or coloured green.
- The wire which is coloured blue must be connected to the terminal marked N (Neutral) or coloured black or blue.
- The wire which is coloured brown must be connected to the terminal marked L (Live) or coloured red or brown.

If the mains cable of this appliance is damaged, it must only be replaced by a CDA approved service engineer, agent, or other suitably qualified person.

## IMPORTANT – ONLY USE A 3 AMP FUSE

The use of a 13A fuse can cause internal wiring damage which will not be covered under the CDA warranty.

Do not mount the electrical isolation switch behind the chimney section. It is a requirement that you must be able to isolate the extractor from the mains electrical supply after installation.

## Electrical Information

Rated voltage (mains electrical voltage):	230 – 240Vac, 50Hz
Rated input (rated power consumption):	95W
Motor input:	90W
Lamp power:	1 x 5W

## Troubleshooting

If your extractor is not working

1. Check that the mains electrical supply has not been switched off.
2. Check that the fuse in the spur has not blown.
3. Contact CDA Customer Care.

## Determining the position of your extractor

When the extractor is to be mounted above an electric hob, the distance between the hob and the extractor must be greater than 600. When the extractor is to be mounted above a gas hob, the distance between the hob and extractor must be greater than 700mm.

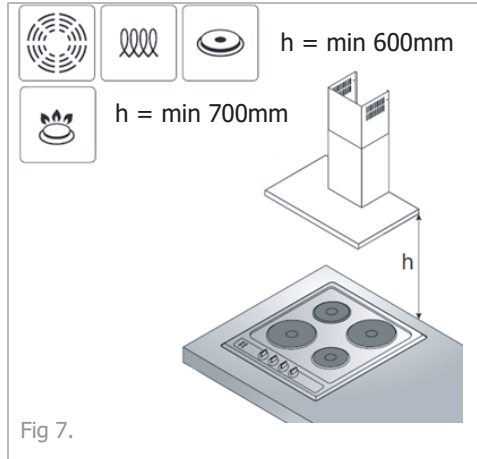


Fig 7.

If the instructions provided with your gas hob dictate that the required distance between hob and extractor must be greater than 700mm then that is the distance that should be observed; this is a legal requirement and failure to comply with the regulations may lead to your hob being disconnected from the mains gas supply, and the installation reported to RIDDOR. Any heights measured are from the top of the gas burners.

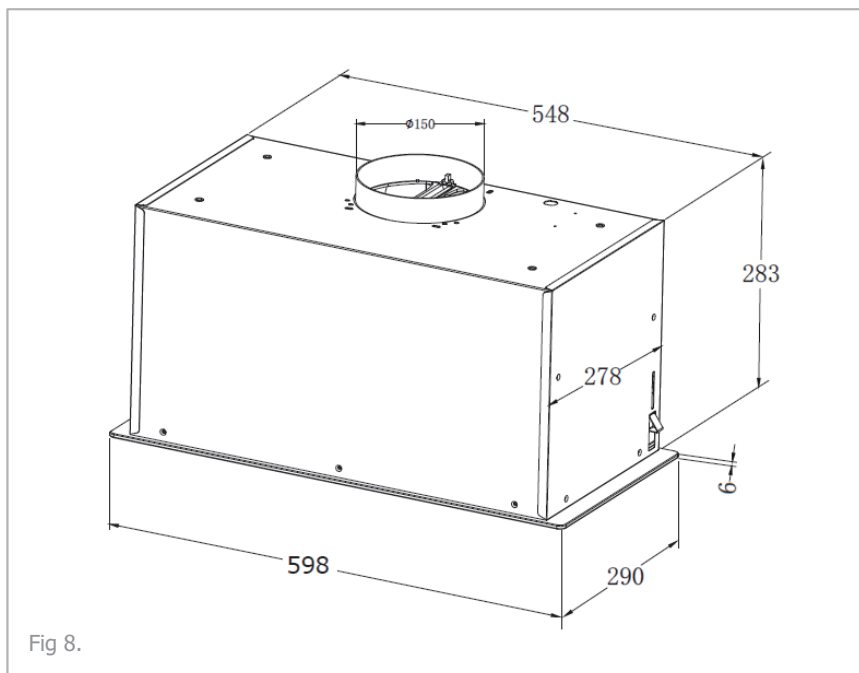
**In the absence of any instructions supplied with the gas hob, the minimum distance between the hob and extractor must be at least 760mm. The width of any hob must not be greater than the width of the extractor.**

# Installation

## Fixings provided

We have provided a set of fixings that are suitable for most walls. However, please ensure that the fixings you use to secure the extractor to the wall are appropriate for the type of wall in your kitchen.

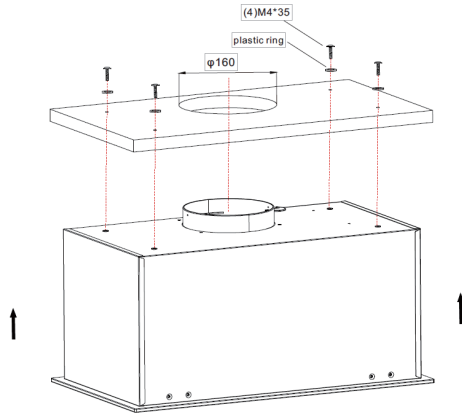
## Product dimensions





## Installation steps

1. Drill 4 X  $\Phi 5$ mm mounting holes in the top plate of the cabinet and open  $\Phi 160$  mm air out let.
2. Use 4\*35 mm phillips head screw and 4 washer (  $\Phi 6.1 * \Phi 13 * 1$  ) to fasten hood body.



## Ducting and ventilation

For best performance and quietest operation, we recommend the use of 150mm ducting and for the extractor to be used in extraction mode (as shown in figure 4). 125mm ducting may be used but this will reduce the performance and increase the noise of the extractor when in use. The use of 100mm ducting is not recommended.

Wherever possible, utilize rigid circular or rectangular section pipe which has a smooth interior, rather than the expanding concertina type ducting. The lengths of ducting with minimal effect on performance are as follows:

- 4 metres with 1 x 90° bend
- 3 metres with 2 x 90° bends
- 2 metres with 3 x 90° bends

Longer ducting can be used, but this will reduce the performance and efficiency of your extractor. Ducting should be sealed to the vent outlet using suitable securing means. Note that ducting components and ducting kits are optional accessories and must be purchased separately.

### Installation for recirculation

When installing this extractor for recirculating the air within your kitchen, we recommend the use of optional charcoal filters to help remove cooking odours. You should change these every three to six months, depending on use.

## Product fiche (Technical information)

Model identification, Symbol	Units	CCG60BL
Annual Energy Consumption, AEC hood	kWh/yr	39,6
Energy Efficiency Index, EEI hood		A
Fluid Dynamic Efficiency, FDE hood		30,4
Fluid Dynamic Efficiency Class		A
Lighting Efficiency, LE hood	Lux/W	22,6
Lighting Efficiency Class		B
Airflow rate, min	m <sup>3</sup> /h	218
Airflow rate, max	m <sup>3</sup> /h	540
Grease Filter Efficiency, GFE hood	%	78
Grease Filter Efficiency Class		C
Power consumption in standby, Ps	W	0
Power consumption off mode, PO	W	0.43
Noise level at min / max, LWA	dBA	66
Noise level on boost		-

To determine the results, and in accordance with the requirements in relation to the labelling of energy-related products and regarding the eco-design requirements, the following calculations and measurement methods were applied:

- Directive 2010/30/EU, REGULATION NO 65/2014.
- Directive 2009/125/EC, REGULATION NO 66/2014.
- EN 50564 — Electrical and electronic household and office equipment, measurement of low power consumption.
- EN 60704-2-13 — Test methods for the determination of airborne acoustical noise, particular requirements for range hoods.
- EN 61591 — Household range hoods and other cooking fume extractors – methods for measuring performance.

## Notes

**The CDA Group**

Harby Road

Langar

Nottinghamshire

NG13 9HY

**Sales Department**

**Phone:** 01949 862010

**Email:** [sales@cda.co.uk](mailto:sales@cda.co.uk)

**Customer Care**

**Phone:** 01949 862012

**Email:** [customer.care@cda.co.uk](mailto:customer.care@cda.co.uk)

