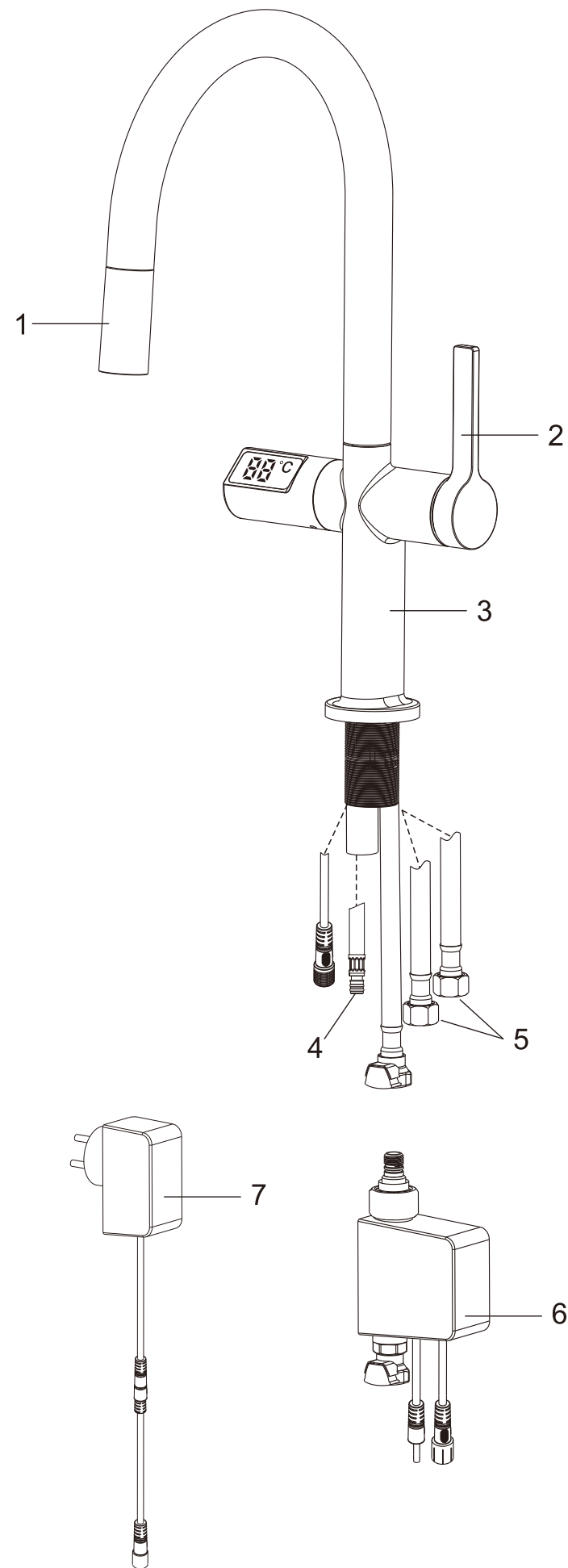
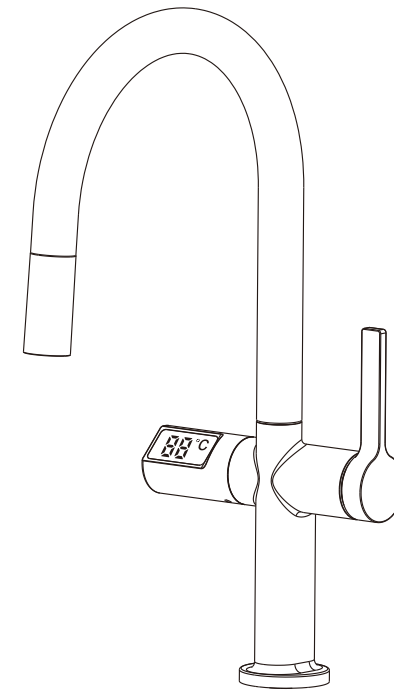
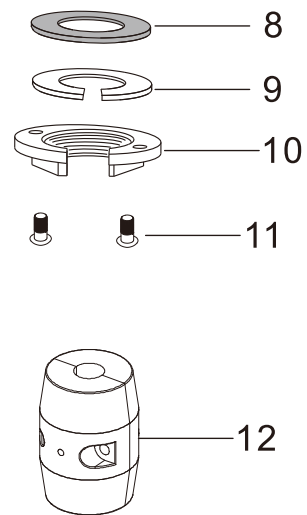


Parts list

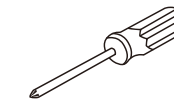


NO.	PART NAME
1	Spray head
2	Handle
3	Body
4	Shower hose
5	Flexible hose
6	Control Box
7	Mains Power supply
8	Rubber washer
9	Clamp
10	Lock nut
11	Screw
12	Weight

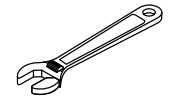


Gesture Kitchen Tap with Digital Display

Recommended Tools



Screwdriver



Adjustable Wrench



Teflon tape

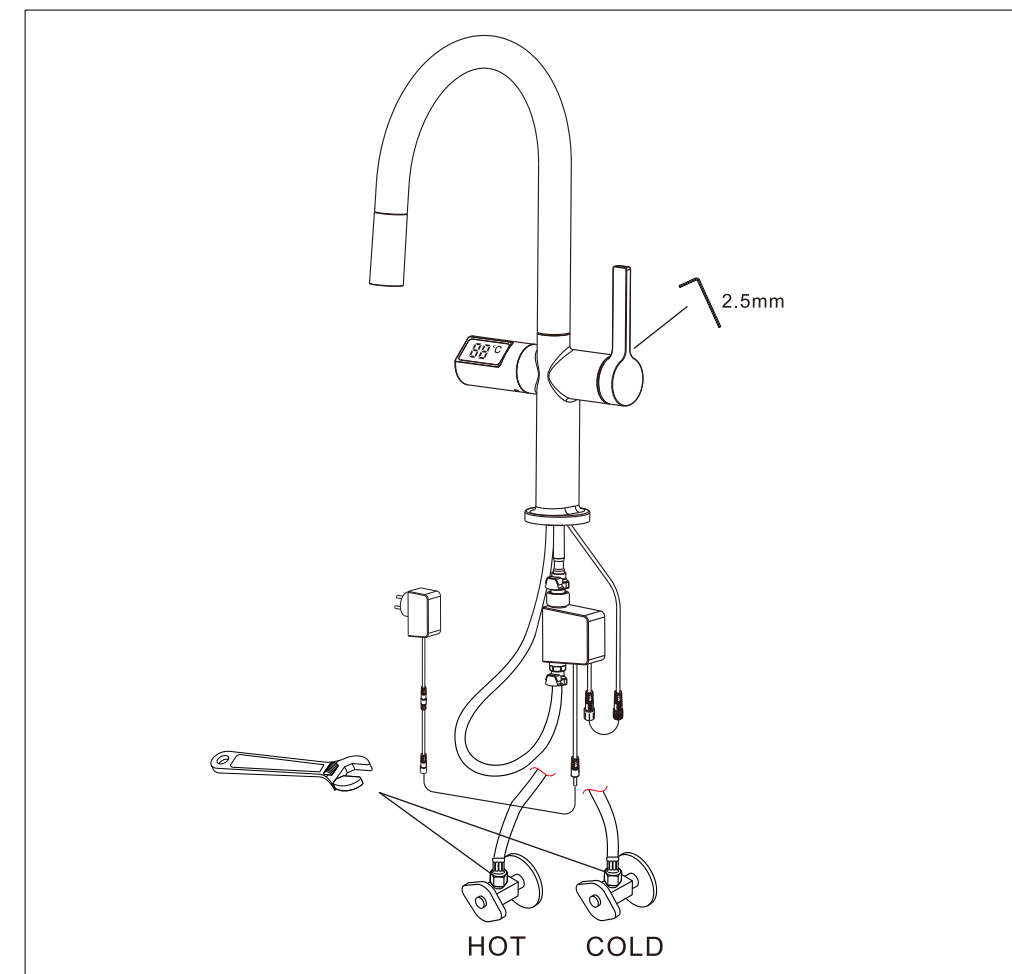


Allen key

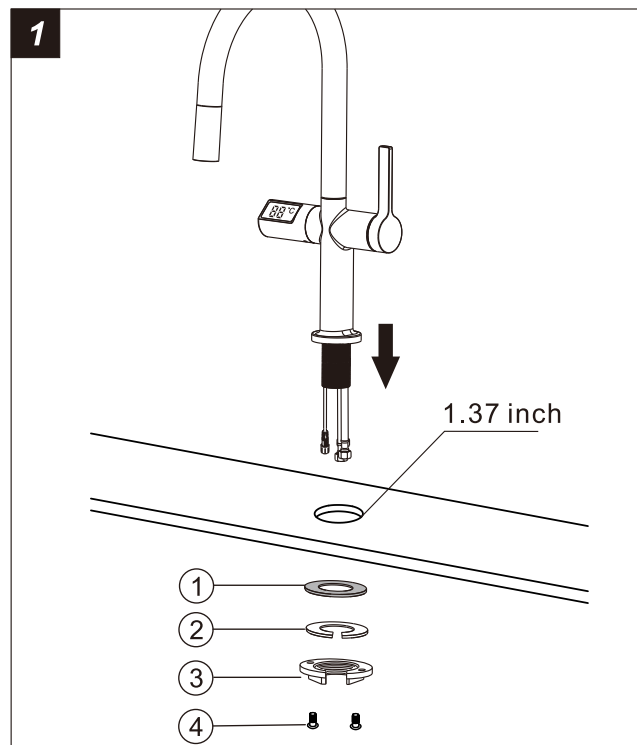


IMPORTANT:
Please familiarise yourself with these instructions before installing the tap.

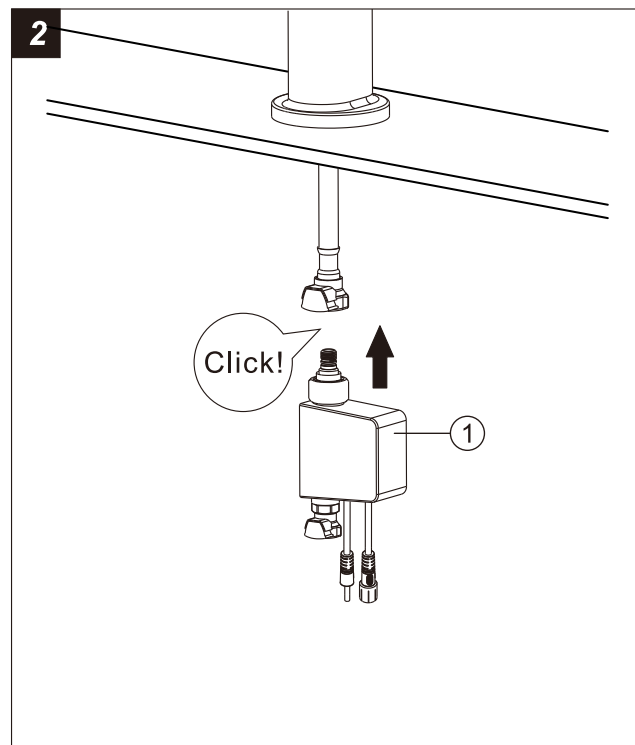
The tools might be applied to the following places:



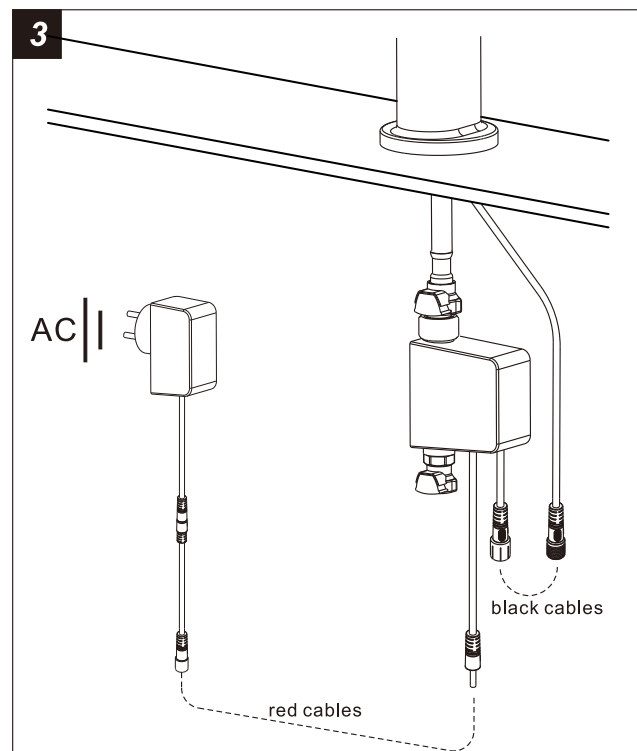
Step 1, Tap installation



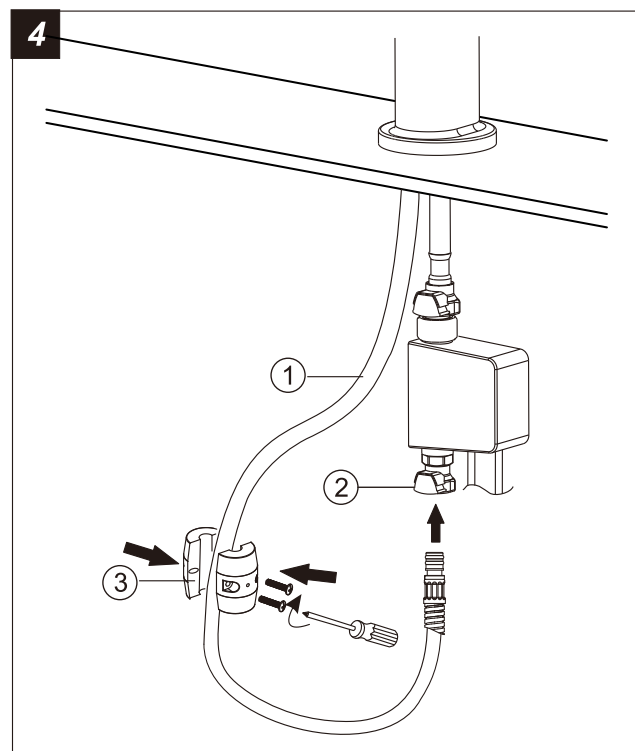
Position the tap on the worktop as shown, position the rubber washer (1), Clamp (2) and lock nut (3) to the tap threaded sleeve by hand and tighten the screws (4) using an appropriate screwdriver.



Connect the control box (1) to the tap body. A "click" sound will indicate when it is properly connected.



Connect the black cables of the tap body and the control box.
Connect the red cables of the mains power supply and the control box.
CAUTION: Make sure the cables are connected properly.



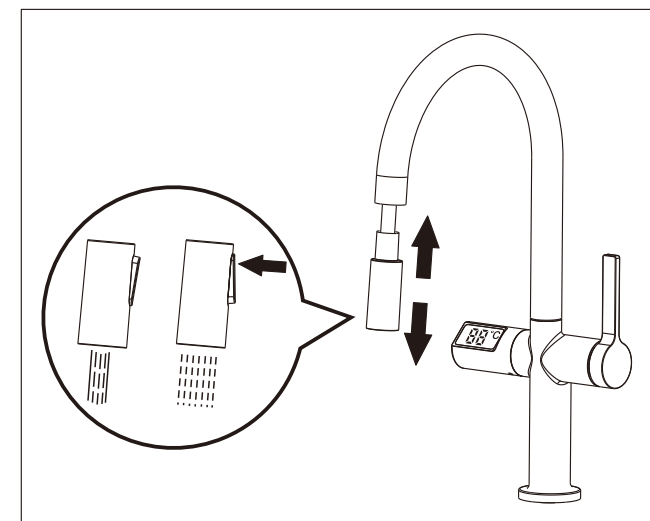
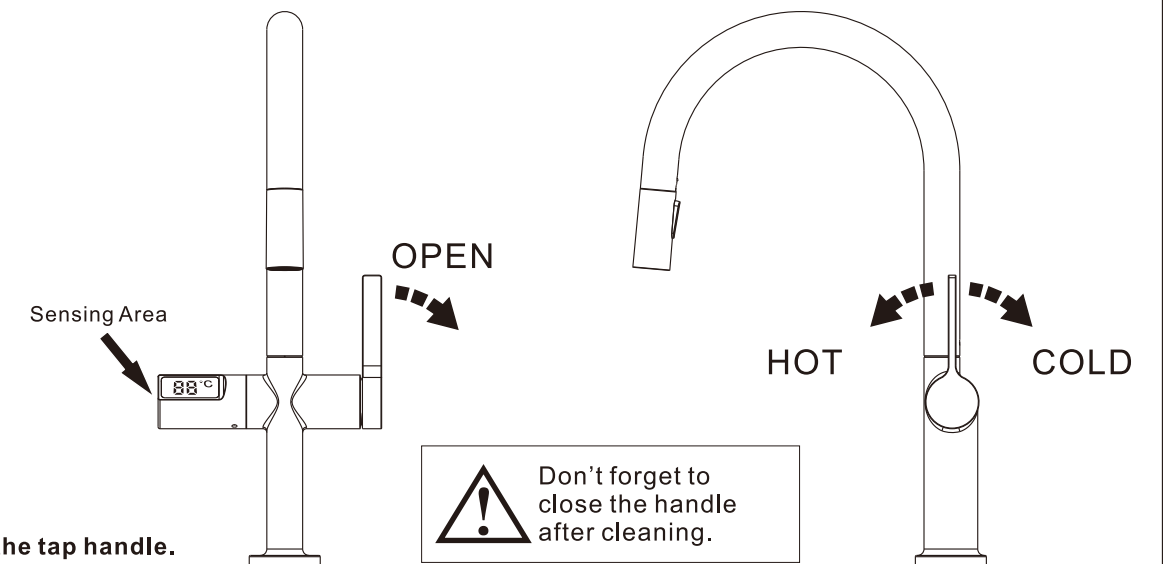
Connect the spray hose (1) to the lower connector on the control box (2).
CAUTION: make sure that the hose is properly connected in the connector.
Attach the weight (3) to the spray hose and secure using the two supplied screws.

Step 2, Instructions for use

Using the tap

1. Open the tap handle.
2. Wave your hand in front of the sensing area for 1 second, the sensing distance is between 0 and 10cm.
3. Wave your hand again to temporarily stop the flow.

IMPORTANT: After use, close the tap handle.



Step 3, Cleaning, care and technical data

We recommend that you clean your tap daily to keep it looking good and working well.

- 1 Clean with water and dry it with a soft cloth.
- 2 Do not use acid based cleaners.
- 3 Do not abrasive materials or knives to clean the tap.

IMPORTANT:

Do not leave the tap handle open for extended periods; the pipes will be under pressure and could fail prematurely. Keep the sensing area clear to avoid accidental operation.

Technical Data

Water operating pressure: 0.5 – 8Bar
Operating temperature range: 0 – 55°C