



evx100 / evx140 Extractor

Manual for Installation, Use and Maintenance

Important

The CDA Group Ltd cannot be held responsible for injuries or losses caused by incorrect use or installation of this product. Please note that CDA reserve the right to invalidate the guarantee supplied with this product following incorrect installation or misuse of the appliance or use in a commercial environment.

This appliance is not designed to be used by people (including children) with reduced physical, sensorial or mental capacity, or who lack experience or knowledge about it, unless they have had supervision or instructions on how to use the appliance by someone who is responsible for their safety.

Under no circumstances should any external covers be removed for servicing or maintenance except by suitably qualified personnel.

Appliance information:

Please enter the details on the appliance rating plate below for reference, to assist CDA Customer Care in the event of a fault with your appliance and to register your appliance for guarantee purposes.


Appliance Model	
Serial Number	

CE Declarations of Conformity:

This appliance has been manufactured to the strictest standards and complies with all applicable legislation, including Gas safety, Electrical safety (LVD) and Electromagnetic interference compatibility (EMC).

IMPORTANT INFORMATION FOR CORRECT DISPOSAL OF THE PRODUCT IN ACCORDANCE WITH EC DIRECTIVE 2002/96/EC.

At the end of its working life, the product must be taken to a special local authority waste collection centre or to a dealer providing appliance recycling services.

Disposing of a household appliance separately avoids possible negative consequences for the environment and health. It also enables the constituent materials to be recovered, saving both energy and resources. As a reminder of the need to dispose of household appliances separately, the product is marked with a crossed-out wheeled dustbin. 

Please note:

- Under no circumstances should the extractor be connected to any gas ventilation system, flue system or hot air ducting system.
- Do not vent the extractor into an attic or loft space.
- Only house the extractor in rooms with adequate ventilation. Remember that the extractor is powerful and whatever air is extracted needs to be replaced.
- Do not tile the extractor in. It should be removable for service or maintenance.
- Do not use silicone sealant to secure the hood to the wall.
- You must be able to isolate the extractor from the mains electrical supply after installation.
- This extractor has been designed to be used in a room with a volume of less than 36m³.
- Steam cleaners must not be used when cleaning this appliance.
- The performance of your extractor will vary depending on a number of factors. These include: type of extraction, length of ducting, room volume, ventilation available and cleanliness of the filters.

Using Your Extractor

For best performance, you should switch on the extractor 15 minutes before starting to cook and leave it to run for approximately 15 minutes after the end of cooking.

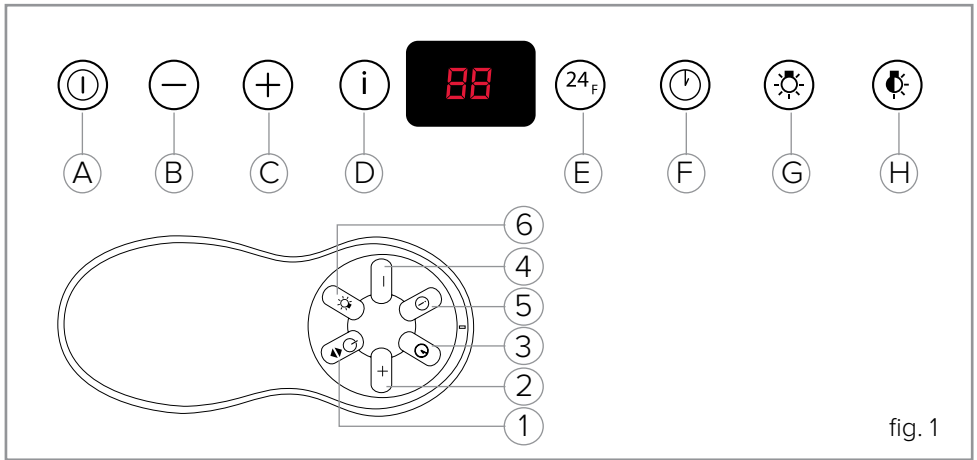


fig. 1

To switch on the extractor and set the speed level

- Touch key "A" or press button 1 on the remote. The appliance will switch on at the last speed level used.
- To increase the speed level touch key "C" or button 2 on the remote.
- To reduce the speed level touch key "B" or button 4 on the remote. The speed cycles through speed levels, and the relevant number indicator will show on the display.
- To switch the extractor off, touch key "A" or button 1 on the remote.

The intensive function

The extractor is equipped with an intensive function which runs for ten minutes before returning to the previous selected speed level.

- To activate the intensive function press key "D" or button 5 on the

remote control. Whilst the intensive function is active “HI” appears on the centre of the display and the bottom right hand dot flashes once a second.

- To cancel the intensive function, touch key “D” or button 5 again and the extractor will return to the previous speed level.

The extractor lights

- To switch the lights on and off, press key “G” or button 6 on the remote control.

The extractor is equipped with an ambient light function, which dims the lights. To activate the ambient light function, press key “H” or press and hold button 6 on the remote control for three seconds.

The timer

The extractor is equipped with a timer that allows the extractor to run for 30 minutes before switching off automatically.

- To activate the timer, touch key “F” or press button 1 on the remote. The working speed and time remaining will flash alternative on the display and a dot will flash in the lower right hand corner of the display.
- To cancel the timer, touch key “F” or button 1 on the remote control.

Please note

The timer cannot be activated when the intensive function is on.

The clean air function

- The extractor is equipped with a clean air function that runs the motor for 10 minutes every hour at 100m³/h to keep the air in the kitchen refreshed.

- To activate the clean air function, touch key “E” when the appliance is either on or off. When the clean air function is running, “24” will show on the display and a dot will flash in the lower right hand corner of the display when the motor is running.
- To cancel the clean air function, touch any key except the light key.

Care and Maintenance

IMPORTANT : DO NOT PERFORM MAINTENANCE OR ATTEMPT TO CLEAN THE EXTRACTOR WITHOUT FIRST SWITCHING OFF THE ELECTRICITY SUPPLY.

Cleaning

You should use a nonabrasive cleaner. Any abrasive cleaner (including Cif) will scratch the surface and could erase the control panel markings.

You can clean your extractor effectively by simply using a dilute solution of water and mild detergent and drying to a shine with a clean cloth.

Cleaning the grease filters

The grease filters should be kept clean to minimise the risk of fire.

After 100 hours of use, “FF” will show on the display when the extractor is switched off. This indicates that you should remove and clean the grease filters with hot soapy water. You can also wash the grease filters in a dishwasher, ensuring that you place them in an upright position to prevent damage from other items in the dishwasher. After rinsing and drying, replace the filters.

To reset the filter alarm, press button “E” for approximately 3 seconds when the extractor is switched off.

To remove the grease filters follow the steps below:

1. Open the stainless steel cover panels by pulling them down and outwards on either side. They will remain located in their hinges.
2. Pull open the handle on each grease filter as shown in fig. 3. It will release at the handle side. Then lower the grease filter to remove it completely.

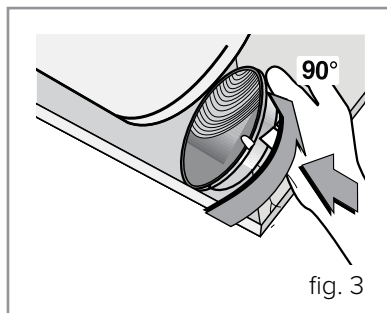
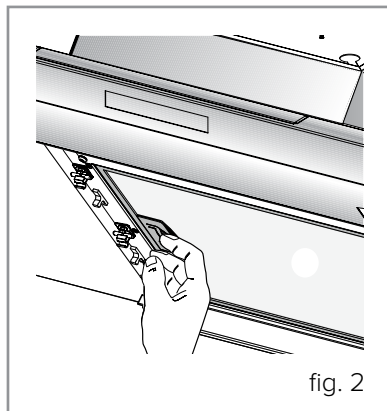
To replace the grease filters, repeat the above steps in reverse.

Please note:

Cleaning the grease filters in the dishwasher may lead to discolouration. This is normal and does not constitute a fault with the appliance.

**Changing the charcoal filter
(re-circulating only)**

After 200 hours of use “EF” will show on the display when the extractor is switched off. This indicates that you



should remove and replace the charcoal filters.

To attach a new charcoal filter, first open the cover panels and remove the grease filters as described above. Then offer up the charcoal filter to the side of the motor as shown in figure 3 and turn it clockwise until it locks into place. Repeat with the other charcoal filter on the other side of the motor. Then replace the grease filters and cover panels.

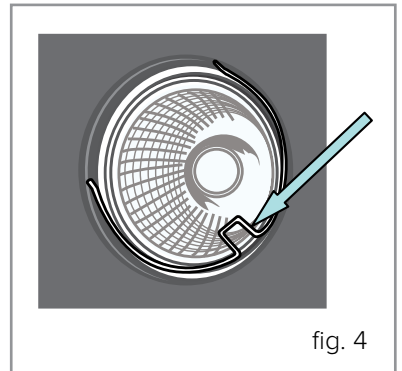
To reset the filter alarms, press button “E” for approximately 3 seconds when the extractor is switched off.

Care and Maintenance

IMPORTANT: DO NOT PERFORM MAINTENANCE OR CLEANING OF THE EXTRACTOR WITHOUT FIRST SWITCHING OFF THE ELECTRICITY SUPPLY.

DO NOT CHANGE THE LIGHT BULB IMMEDIATELY AFTER USE AS THE BULB WILL BE HOT. ALLOW IT TO COOL BEFORE REMOVING IT.

Carefully remove the lamp securing spring using a set of long-nose pliers or a small screwdriver as shown in fig. 4, and the bulb will be released.



Remove the old bulb from the holder.

Fit the new bulb, taking care not to touch the glass of the bulb.

Take care to ensure any tools used do not damage the extractor body.

Do not touch bulbs or adjacent areas during or straight after prolonged use of the lights.

The main extractor light is designed for use during cooking only. The ambient light function can be used for general room illumination. Extended use of the extractor light can reduce the life span of the bulb.

Bulb replacement is not covered by the guarantee.

Only use bulbs recommended for your extractor. Do not fit bulbs of a higher power rating. This extractor is not suitable for use with LED lighting.

Bulbs of a lower power rating may be adequate for use, generally last longer and use less energy.

Model	Light Bulbs Required
evx100	GU10 35W
evx140	GU10 35W

Installation

Positioning the vent outlet:

The motor unit can be turned to position the outlet to any of the four sides.

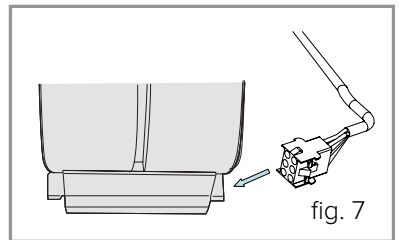
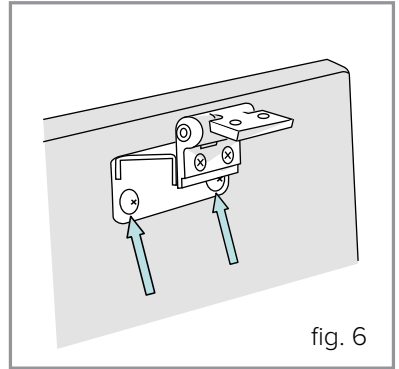
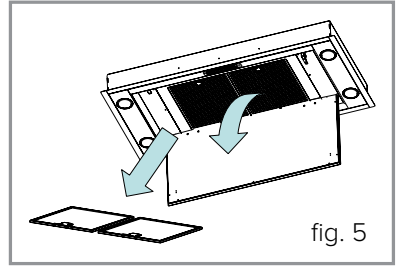
1. Open the decorative cover panel and remove the two grease filters (fig. 5).

The decorative cover can be removed, if required, to make the installation easier. To do this, simply remove the cover fixing screws using an allen key or suitable hex driver (3mm), as shown in figure 6: Lift the panel away, placing it on a soft surface for safe storage.

2. Turn the appliance on its back and disconnect the cable connector from the motor housing, as shown in figure 7.

3. Using an 8mm spanner or socket, remove the four screws securing the motor unit to the body and unhook the cable from the plastic location clip so that the motor is free of the main body.

4. Rotate the body through 90°, 180° or 270° and refit the four securing screws.



Installation

Installing the extractor:

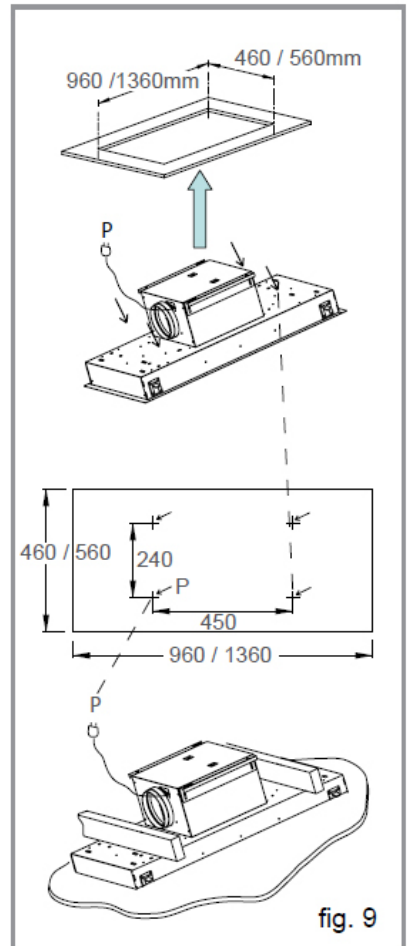
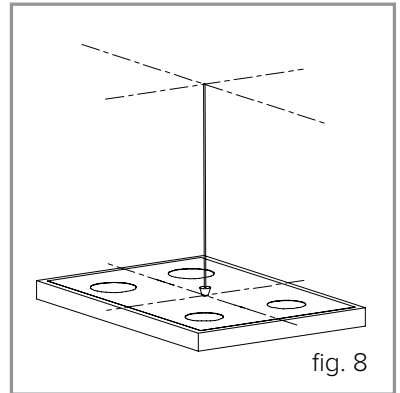
The extractor can be mounted directly into the ceiling, where space between the ceiling and joists permits, or it can be built into a false ceiling. To install the product, proceed as follows:

1. Mark the ceiling or false ceiling, as appropriate, with centre point of the hob to start the positioning of the extractor, as shown:

Fixing Using the Motor Structure:

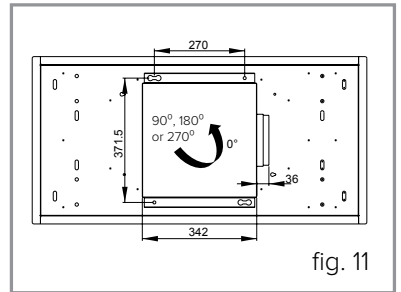
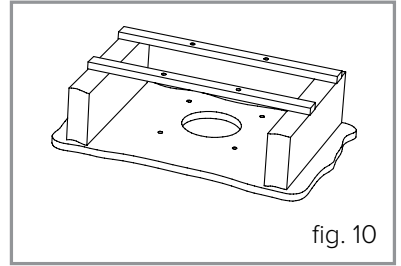
(Two persons required)

2. Cut the mounting aperture for the main body of the extractor, using the dimensions shown in fig 9.
3. Mark the support holes in the ceiling where the fixing screws and mains cable will be located, as shown in fig 9.



4. Drill the different holes required for the mounting, as below, using a drill bit suitable for the ceiling material:

- The 150mm diameter vent outlet when the ducting will run through the ceiling.
- The mains supply chord (10mm minimum).
- The four fixing holes for the \varnothing 10mm nuts and bolts.



5. When the extractor is to be mounted into a plasterboard ceiling additional supports are required to carry the weight of the extractor. The example on the right shows suitable reinforcement batons for use with plasterboard ceilings:

Do not rely on the plasterboard ceiling alone to carry the weight of the product.

The dimensions of the motor and its support fixings are shown below:

Secure the extractor in position. When fixing the extractor to a plasterboard

ceiling, use a sleeve to prevent damage to the plasterboard when the four 10mm nuts and bolts are being tightened.

When the ceiling is concrete, use eight diameter symbol 10mm steel rawl bolts. Do not use plastic rawl plugs

6. The motor body incorporates top fixing mounts that can be adjusted by up to 20mm depending on the installation, as shown opposite. Slacken the four screws shown and position the fixing mounts to the correct position, then re-tighten the screws.

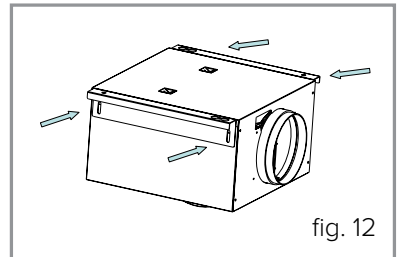


fig. 12

7. Before securing the extractor to the ceiling, prepare and connect the ducting as described in the ducting section following the installation information and ensure that the mains electrical supply to the extractor is connected, as described in the electrical connection section.

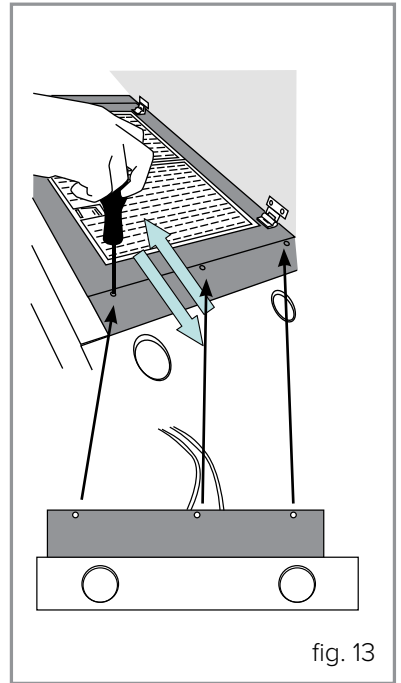
Installation Into a False Ceiling:

(Two persons required)

1. Open the decorative cover panel and remove the two grease filters.
2. Remove the light panels by removing the three screws securing each panel first. Lift the panel and pull towards the centre of the extractor to expose the connections.

Carefully disconnect the light connections and place the panels on a soft surface to protect the steel finish.

The decorative cover can be removed, if required, to make the installation easier. To do this, simply remove the hinge fixing screws then lift the panel away, placing it on a soft surface for safe storage.



3. The extractor is intended to be secured to the ceiling using the four adjustable spring-loaded clips; these are shown in the image below:

4. Before securing the extractor to the ceiling, prepare and connect the ducting as described in the ducting section following the installation information and ensure that the mains electrical supply to the extractor is connected, as described in the electrical connection section.

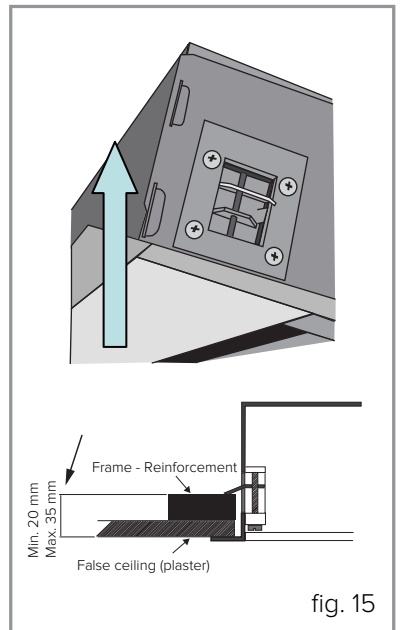
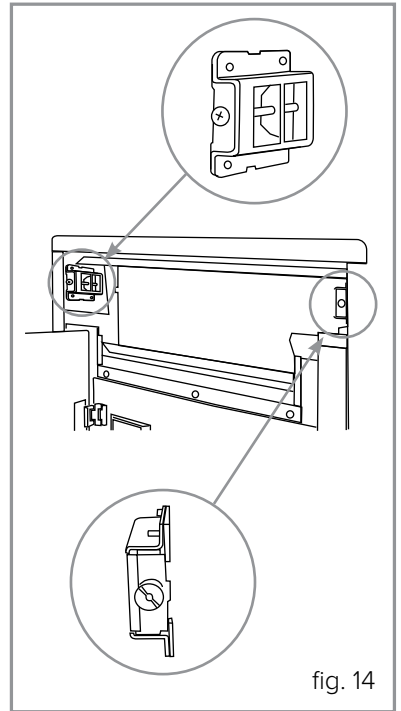
5. The extractor is designed to be fitted into a reinforcement frame fitted to the false ceiling, as shown:

Prepare the ceiling before securing the extractor in position.

Important:

Connect the mains power lead and ventilation duct before locating the extractor.

Tighten the securing clips using



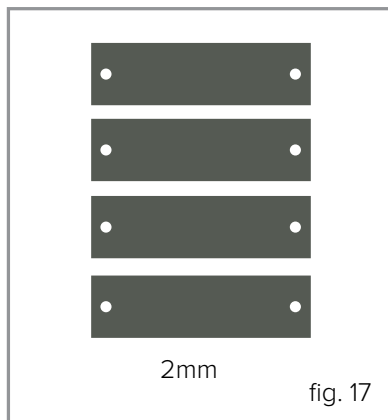
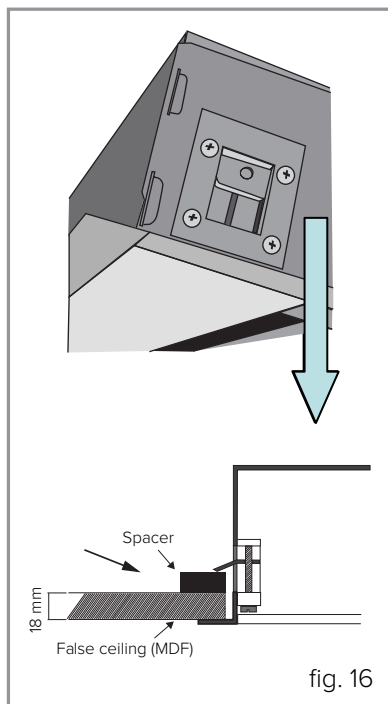
the adjustment screw to secure the extractor firmly in position

Note:

When fixing to an 18mm MDF false ceiling, four 2mm spacers have been provided to make the mounts 20mm thick (minimum).

If the extractor needs to be removed after installation for any reason, the fixing clips should be slackened and then can be accessed by removing the foil covering. Push them to fold them into line with the body. Take care and get assistance when doing this to prevent the risk of injury caused by the extractor falling from the ceiling.

6.Re-connect the light terminals and light panels to complete the installation. If the decorative cover panel was removed then refit this also.



Ducting:

The extractor can be used as a recirculation device or as an extraction device, depending on your installation.

The hood is more effective when used in the extraction mode (ducted to the outside). When the cooker hood is ducted to the outside, charcoal filters are not required. The ducting used must be 150mm (6 Inches), rigid circular pipe and must be manufactured from fire retardant material, produced to BS.476 or DIN 4102-B1.

Wherever possible utilise rigid circular pipe which has a smooth interior, rather than the expanding concertina type ducting. The maximum length of the ducting without performance being affected is as follows:

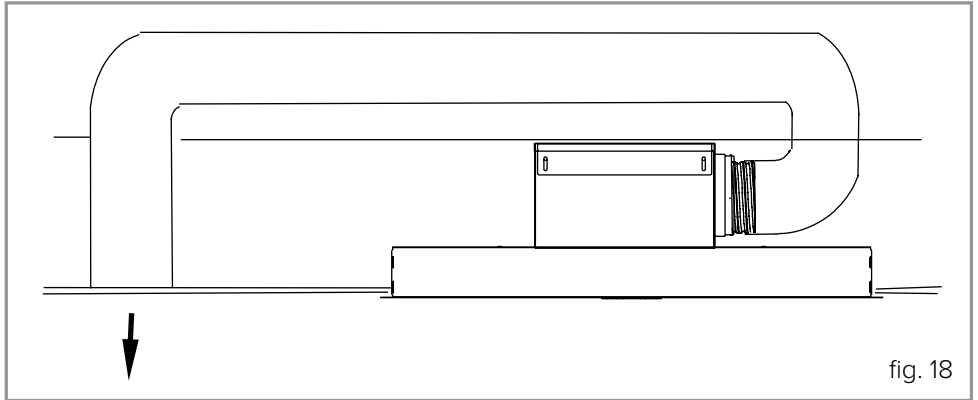
- 4 metres with 1 x 90° bend.
- 3 metres with 2 x 90° bends.
- 2 metres with 3 x 90° bends.

Longer ducting can be used but the performance of the extractor will be reduced.

Please note ducting components and ducting kits are optional accessories and have to be ordered, they are not automatically supplied with the hood. Use of ducting less than 150mm in diameter will affect performance and increase the noise produced by the extractor.

Re-Circulation:

An internal air vent is required, as shown below. This ensures that the air is placed back in the kitchen after it has been filtered



Fit the charcoal filters to the body of the motor as shown in the maintenance section of the manual.

Extraction:

The extractor is provided with a non-return butterfly valve which should be fitted over the vent outlet before the ducting is fitted. This prevents cold air being blown into the room from outside.

Securing the Duct to the Outlet:

Note that the duct pipe should be secured and sealed to the vent outlet pipe / valve using appropriate ducting tape or a securing clamp.

Adjusting the Position of the Decorative Cover Panel:

The decorative panel can be finely adjusted by moving the positions of the cover hinges, as shown here. Use a suitable allen key or small hex driver (3mm) to slacken the cover adjusting screws before sliding the cover into the correct position. When done, re-tighten the fixing screws.

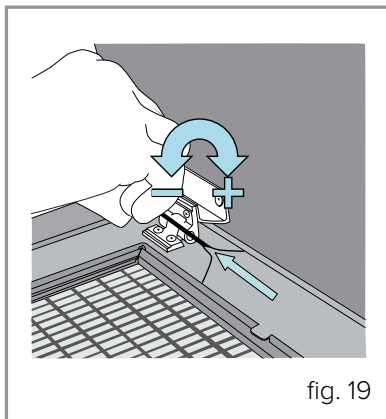


fig. 19

Typical Installation Examples:



Changing the Light

IMPORTANT: DO NOT PERFORM MAINTENANCE OR ATTEMPT TO CLEAN THE EXTRACTOR WITHOUT FIRST SWITCHING OFF THE ELECTRICITY SUPPLY.

DO NOT CHANGE THE LIGHT BULB IMMEDIATELY AFTER USE AS THE BULB WILL BE HOT. ALLOW TO COOL BEFORE REMOVING.

1. Unfasten the sliding brackets on either side of the cover panel and the cover panel will hinge open.
2. Remove the faulty light bulb and replace with a light bulb no more powerful than that specified on the rating plate.
3. Replace the cover panel and refasten the sliding brackets.

Do not touch bulbs or adjacent areas during or straight after prolonged use of the lights.

The light is designed for use during cooking and not for general room illumination. Extended use of the light can reduce the life-span of the bulb.

Bulb replacement is not covered by the guarantee.

Only use bulbs recommended for your extractor. Do not fit bulbs of a higher power rating. Bulbs of a lower power rating may be adequate for use, generally last longer, and use less energy.

Spare bulbs are available from CDA Customer Care or from your local DIY shop.

Synchronising the remote control with the extractor

When the extractor is off, press and hold button “B”, and then switch the extractor on.

After five seconds release button “B” and the display will light up in sections. Then press button “E”.

“TC” will flash twice to confirm the remote is synchronised.

“TC” will flash once to confirm the remote is not synchronised.

To change the battery

The remote control is powered by two standard LR03-AAA batteries.

To open the battery compartment, slide the rear panel down and then lift the panel.

To replace the rear panel, locate the panel over the battery compartment then slide the panel up until it clicks.

Mains Electricity Connection

THIS APPLIANCE MUST BE CONNECTED TO THE MAINS SUPPLY BY A COMPETENT PERSON, USING FIXED WIRING VIA A DOUBLE POLE SWITCHED FUSE SPUR OUTLET AND PROTECTED BY A 3A FUSE.

Warning! This appliance must be earthed

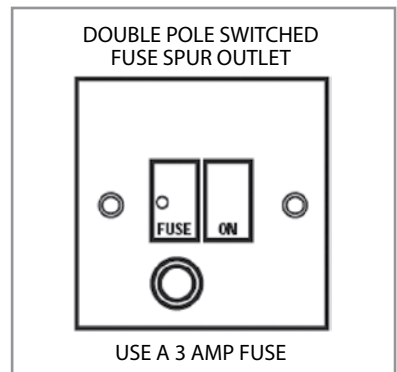
We recommend that the appliance is connected by a qualified electrician, who is a member of the N.I.C.E.I.C. and who will comply with the I.E.T. and local regulations.

The wires in the mains lead of this appliance are coloured in accordance with the following code:

Green & Yellow = Earth, Blue = Neutral, Brown = Live.

As the colours of the wires in the mains lead for the appliance may not correspond with the coloured markings identifying the terminals connecting to the fuse spur, proceed as follows:

- The wire which is coloured green and yellow must be connected to the terminal marked E (Earth) or coloured green.
- The wire which is coloured blue must be connected to the terminal marked N (Neutral), or coloured black.



-
- The wire which is coloured brown must be connected to the terminal marked L (Live), or coloured red.

Note: Use a 3A Fuse

Assembly and electrical connection should be carried out by specialised personnel.

When installing this product we recommend you seek the help of another individual.

The mains isolation switch should be readily accessible after the appliance has been installed and it is recommended that the isolation switch is located within 2m of the appliance, where practical.

This appliance is intended to be connected to the mains electrical supply by means of an isolation switch and fused spur and is intended to be protected by a 3A fuse. The use of a 13A fuse can cause damage to the internal wiring in the event of a fault, and may also invalidate the warranty.

Electrical Information

Mains electrical voltage: 230 – 240Vac.

Total rated power consumption evx100 / evx140: 410W.

Troubleshooting

Please note:

Your extractor is equipped with a motor protection device that will switch off the motor to prevent damage from overheating.

This may happen during cooking when most or all of the zones/ burners are being used simultaneously.

This is normal, and the extractor will work again once the motor has cooled sufficiently.

If your extractor is not working:

1. Check that the mains supply has not been switched off.
2. Check that the fuse in the spur has not blown.

Contact CDA Customer Care

A : Customer Care Department, The CDA Group Ltd, Harby Road,
Langar, Nottinghamshire, NG13 9HY

T : 01949 862 012

F : 01949 862 003

E : customer.care@cda.eu

W : www.cda.eu

Energy Efficiency Information

Attribute	Symbol	Value	Units
Model Identification		evx100/140	
Annual Energy Consumption	AEC_{Hood}	201.7	kWh
Time increase factor	f	1.0	
Fluid Dynamic Efficiency	FDE_{Hood}	18.8 (C)	
Energy Efficiency Index	EEl_{Hood}	98.1	
Measured airflow at Best Efficiency Point	Q_{BEP}	394.0	m ³ /h
Measured Pressure at Best Efficiency Point	P_{BEP}	254.0	Pa
Maximum airflow	Q_{MAX}	680.0	m ³ /h
Measured electric power at Best Efficiency Point	W_{BEP}	206.0	W
Nominal lighting power	WL	140.0	W
Average illumination of the lighting system on the cooking surface	E_{Middle}	630.0	Lux
Measured power consumption in standby	P_S	NA	W
Measured power consumption off mode	P_O	0.7	W
Sound power level	L_{WA}	68.0	dBA
Grease Filter Efficiency	GFE_{Hood}	66.0 (D)	%
Lamp efficiency	LE_{Hood}	4.5 (F)	%



Please contact our Customer Care Department for Service on the details below.

Customer Care Department • The CDA Group Ltd. • Harby Road • Langar • Nottinghamshire • NG13 9HY
T : 01949 862 012 F : 01949 862 003 E : customer.care@cda.eu W : www.cda.eu