



# FF660

## Freestanding

## Frost Free

## Fridge Freezer

Installation, Use and Maintenance

# Important

The CDA Group Ltd cannot be held responsible for injuries or losses caused by incorrect use or installation of this product. Please note that CDA reserve the right to invalidate the guarantee supplied with this product following incorrect installation or misuse of the appliance.

This appliance is not designed to be used by people (including children) with reduced physical, sensorial or mental capacity, or who lack experience or knowledge about it, unless they have had supervision or instructions on how to use the appliance by someone who is responsible for their safety.

Under no circumstances should any external covers be removed for servicing or maintenance except by suitably qualified personnel.

## **Appliance information:**

Please enter the details on the appliance rating plate below for reference, to assist CDA Customer Care in the event of a fault with your appliance and to register your appliance for guarantee purposes.

Appliance Model	
-----------------	--

Serial Number	
---------------	--


## **CE Declarations of Conformity:**

This appliance has been designed, constructed and marketed in compliance with safety requirements of EEC Directive 2006/95/EEC (Low voltage) and requirements of EMC Directive 2004/108/EEC.

This appliance has been manufactured to the strictest standards and complies with all applicable legislation, including Electrical safety (LVD) and Electromagnetic interference compatibility (EMC). Parts intended to come into contact with food conform to EEC/89/109.4

## **IMPORTANT INFORMATION FOR CORRECT DISPOSAL OF THE PRODUCT IN ACCORDANCE WITH EC DIRECTIVE 2002/96/EC.**

At the end of its working life, the product must not be disposed of as urban waste. It must be taken to a special local authority differentiated waste collection centre or to a dealer providing this service.

Disposing of a household appliance separately avoids possible negative consequences for the environment and health deriving from inappropriate disposal and enables the constituent materials to be recovered to obtain significant savings in energy and resources. As a reminder of the need to dispose of household appliances separately, the product is marked with a crossed-out wheeled dustbin. 

## Important

- Never store inflammable or explosive items and strong corrosive acids or alkalis in the appliance.
- This is a household appliance, which is produced in accordance with the national standard. It is intended for food storage only, not for storage of blood, medicine and biological products.
- To prevent risk of fire, keep the appliance away from petrol or any other inflammable items.
- To prevent risk of electromagnetic interference or other accidents, do not place a microwave oven on top of the refrigerator or use any electric appliance inside the refrigerator.
- Do not allow children to play with or near the appliance. The internal surface of freezer compartment is very cold when the appliance is running. Do not touch the surface especially with wet hands.
- Do not splash water onto the appliance. Keep it away from places of high humidity that may have adverse effect on the electric insulation performance.
- Please remove the door, door seal and shelves before disposal of the old appliance and put them away in a safe place to prevent children from being entrapped.

---

## Before First Use

**You must allow the fridge to settle for at least twenty four hours prior to switching the power on.**

It is recommended that you clean the interior of the appliance prior to first use, using a solution of bicarbonate of soda and warm water and then thoroughly drying the interior.

The fridge may have an odour to it at first use. This will disappear as the appliance cools.

### **Please note:**

The appliance will work continuously until it comes down to the correct temperature.

It takes two to three hours for the fridge and freezer to reach temperatures appropriate to store food.

If the appliance is switched off, you should allow five minutes before switching it on again to prevent unnecessary damage to the compressor.

## Fridge Use

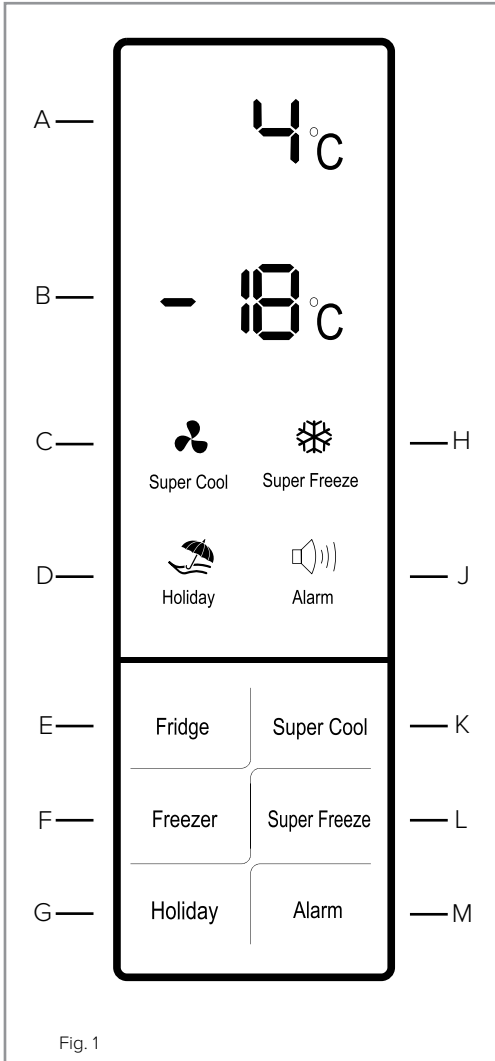
- Never put liquids in the refrigerator uncovered.
- Never put hot foods in the refrigerator. Warm food should be allowed to cool to room temperature before being put into the refrigerator.
- Nothing should obstruct the air inlets in the rear wall of the refrigerator, as this will cause frost and possible condensation problems which will be difficult to remove.
- Make sure food is clean and any extra water is wiped away before putting into the fridge.
- Wrap or cover food before putting into the fridge. This will help prevent the loss of moisture, keep food fresh and avoid unpleasant odours.
- Sort foods prior to storing. Any foods to be used soon should be stored at the front of the shelf to prevent deterioration caused by the door being open for prolonged periods.
- Do not overfill the fridge. There should be sufficient space between the foods to allow the cool air to circulate.
- Thawing frozen foods in the fridge compartment will help to keep the temperature low and save energy.
- Only open the door for as long as is necessary. Leaving the door open for long periods will affect the temperature inside the appliance and waste energy.
- Ensure all compartments are fully closed after use.

## Freezer Use

- The freezer compartments are designed to store only frozen food.
- Never put hot or warm foods in the freezer, allow them to cool fully before putting them into the freezer.
- Follow the instructions on the food packaging for storage of frozen food. If no information is provided, foods should not be stored for more than three months after the purchase date.
- Store food in small packages (ideally less than 2.5kg). This reduces the freezing time and improves the quality of the food after thawing.
- Wrap food before putting into the freezer. To stop the wrapping sticking together, ensure it is dry.
- Label the food before freezing with information including type of food and dates of storage and expiry.
- Once food is thawed, it must not be refrozen unless it has been completely cooked. Only defrost as much food as is required to prevent wastage.
- Bottled or canned drinks should not be stored in the freezer compartment as they could explode.
- Check the rating plate to confirm the maximum amount of fresh food that can be frozen within a 24 hour period.

**Do not attempt to freeze more than the maximum amount.**

# Control Panel



- A: Fridge temperature display
- B: Freezer temperature display
- C: Super cool light
- D: Holiday light
- E: Fridge key
- F: Freezer key
- G: Holiday key
- H: Super freeze light
- J: Alarm light
- K: Super cool key
- L: Super freeze key
- M: Alarm key



## Setting the Fridge Temperature

The fridge temperature may be set between 2°C and 8°C.

- Touch the “Fridge” key several times, until the required temperature for the fridge compartment flashes in the “Fridge temperature” display.
- When the display stops flashing this temperature will be set.

## Setting the Freezer Temperature

The freezer temperature may be set between -24°C and -14°C.

- Touch the “Freezer” key several times, until the required temperature for the freezer compartment flashes in the “Freezer temperature” display.
- When the display stops flashing this temperature will be set.

## Super Cool Function

The “Super cool” function can be used to chill large quantities of fresh food as quickly as possible.

- When this is switched on the fridge temperature setting drops to 2°C.
- This function runs for 6 hours before automatically switching off for your convenience. Alternatively, it can be manually switched off after less than 6 hours.

### **To switch the super cool function on**

Touch the “Super cool” key once. The setting is confirmed by the “Super cool” light illuminating.

### **To switch the super cool function off**

Either: Touch the “Super cool” OR “Fridge” key once.

Or: The “Super cool” function automatically switches off after 6 hours.

In either case, the fridge temperature reverts back to the setting before “Super cool” was switched on.

## **Super Freeze Function**

The “Super freeze” function can be used to freeze large quantities of fresh food as quickly as possible. For best results, switch the “Super freeze” function on 12 hours prior to introducing large quantities of food to be frozen.

- When this is switched on the freezer temperature setting drops to -24°C.
- This function runs for 24 hours before automatically switching off for your convenience. Alternatively, it can be manually switched off after less than 24 hours.

### **To switch the super freeze function on**

Touch the “Super freeze” key once. The setting is confirmed by the “Super freeze” light illuminating.

### **To switch the super freeze function off**

Either: Touch the “Super freeze” OR “Freezer” key once.

Or: The “Super freeze” function automatically switches off after 24 hours.

In either case, the freezer temperature reverts back to the setting before “Super freeze” was switched on.

## Chilled Water Dispenser

The chilled water dispenser is used to dispense chilled water without the need to open the fridge door each time.

### Fitting and removal

Before fitting the chilled water dispenser to the fridge door, ensure that the draught seal around the chilled water chute in the fridge door is correctly located.

- The seal may have become turned inside-out when the chilled water dispenser was previously removed.
- Referring to fig. 2 (below), the inner ring of the seal should be pointing downward before the water dispenser is fitted.
- If the inner ring is pointing upward it may be pushed down to its correct orientation by gentle finger pressure alone.

**Note:** There is a slit in this seal to ease fitting: This is not a fault.

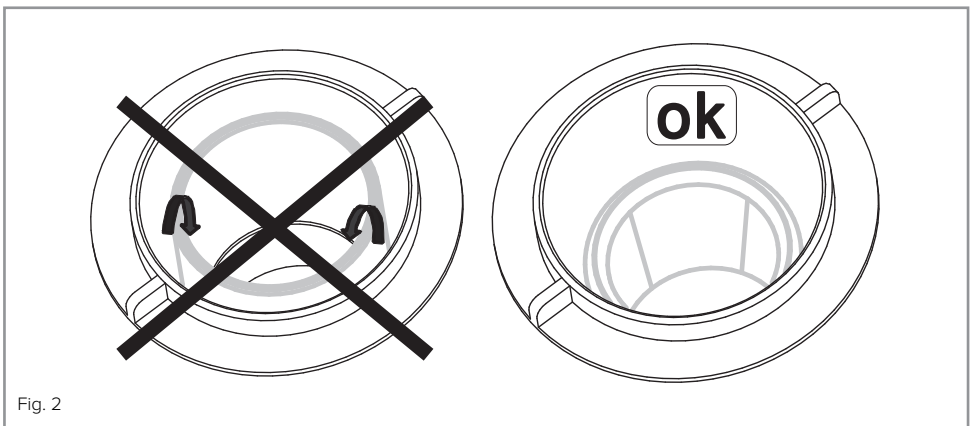


Fig. 2

## Fitting

To fit the chilled water dispenser into the fridge door:

- Line it up with its locating lugs, ensuring that the exit spout at the bottom enters the chute in the door (Fig. 3).
- Slide the chilled water dispenser downwards to lock it into position (Fig. 4).

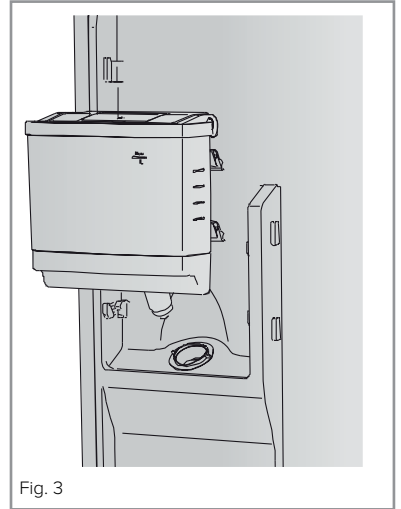


Fig. 3

## Removal

To remove the chilled water dispenser, reverse the steps described above for fitting it.

**Note:** The fitting of the chilled water dispenser may be stiff when new but it will become easier with use.

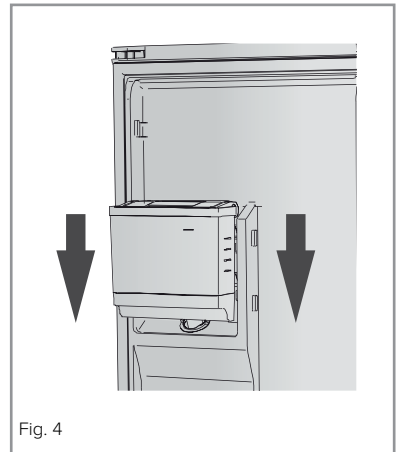


Fig. 4

## Filling the chilled water dispenser

To fill the chilled water dispenser:

- Ensure the dispenser is securely fitted to the door.
- Open the hinged lid and fill with clean cold water (Fig. 5).
- Do not use the dispenser for any liquids other than plain still water.
- Do not add hot liquid to the water dispenser, this would add excessive heat to the refrigerator and may contribute to frost forming.
- Close the lid and close the fridge door.

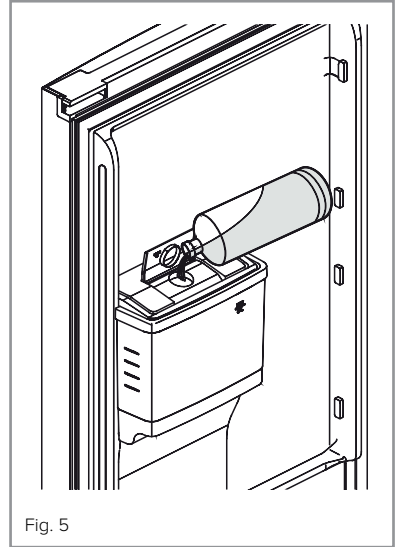


Fig. 5

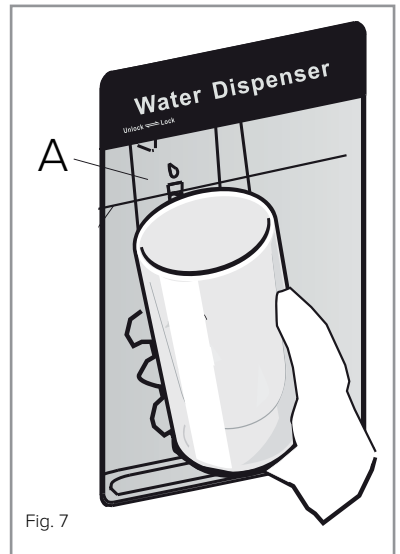
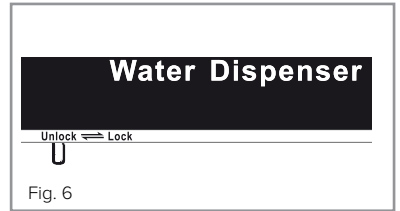
## Dispensing chilled water

- Before dispensing water, ensure that the lock switch above the water dispenser is in the unlocked position (Fig. 6).
- Press your glass gently against the dispensing lever ("A" in Fig. 7).
- Dispensing will stop when the glass is taken away.

## Cleaning the chilled water dispenser

The chilled water dispenser should be removed from the door for cleaning. It is best cleaned with a mild washing up liquid solution, then either dried with a soft cloth or left to drain naturally.

While the water dispenser is out of the door its chute in the door can be cleaned carefully with a mild washing up liquid solution on a damp cloth.



---

## Holiday Mode

This appliance is equipped with a holiday mode, which switches the fridge to 15°C and leaves the freezer running. This maintains frozen food during a holiday, and reduces the energy used by the fridge. This setting is not suitable for use when there is food in the fridge.

### **To switch the holiday mode on**

- Touch and hold the “Holiday” key for 3 seconds. The “Holiday” light will illuminate to confirm holiday mode is activated and the “Fridge temperature” display will show “-”.

### **To switch the holiday mode off**

- Touch the “Holiday”, “Super cool” OR “Fridge” key once. The fridge temperature reverts back to the setting before “Holiday” mode was switched on.

---

## Door Open Alarm

This appliance is equipped with an alarm to alert you if a door is left open.

In the event that a door is left open for more than two minutes the appliance will give three beeps once a minute, for ten minutes and the “ALARM” light will illuminate; this continues until both doors are properly shut, or until the “Alarm” key is touched.

## Defrosting the Fridge

The fridge is cooled by convection using cold air forced through channels at the rear of the fridge. No defrosting is required.

## Defrosting the Freezer

The freezer is frost free and as such is designed not to require defrosting.

## Changing the Light

LED lighting is used in this fridge due to its long life expectancy. In the unlikely event of light failure this is not user-replaceable. If the light fails, contact CDA Customer Care.



## Care and Cleaning

**Always disconnect the appliance from the power supply before any cleaning or maintenance.**

The fridge sections should be cleaned using a solution of bicarbonate of soda and lukewarm water.

Do not use abrasive products or detergents. After washing, rinse and dry thoroughly.

Clean the shelves and balconies separately by hand with soap and water. Do not put them in the dishwasher.

Once cleaning is complete, then reconnect the power.

Keep the door gaskets clean. If damaged, the gaskets should be replaced.

If the appliance is not used for prolonged periods of time, unplug and clean the appliance. The door should be left slightly open to prevent the formation of mildew and smell.

# Troubleshooting

If you have any problems with your appliance, you should check the troubleshooting prior to calling CDA Customer Care to prevent unnecessary service calls and potential cost.

## **The appliance is not working**

Check:

- There is power to the appliance.
- The house fuses are intact and the fuse in the plug has not blown.
- The fridge is not in “Holiday” mode (“Holiday” light should not be illuminated on the control panel).
- The plug socket is functioning correctly. To check this, plug another electrical appliance in to see if the socket is working.
- The temperature of the room is adequate (10°C or above).

## **The appliance is working, but not very well**

Check:

- The appliance is not overloaded.
- The temperature is set to an appropriate level.
- The doors close properly.
- The cooling system at the rear of the appliance is clean and free of dust, and not touching the rear wall.
- There is enough ventilation at the side and rear walls.
- The temperature of the room is adequate (10°C or above).

## **The appliance is noisy**

Check:

- The appliance is level and stable.
- The side and rear walls are clear, and there is nothing resting on the appliance.

**Note:** The cooling gas in the refrigerator will make a slight bubbling noise, even when the compressor is not running.

## **The freezer gives ten long beeps at minute intervals and/or the “Alarm” light illuminates, freezer temperature display shows “-”**

The most likely cause is that the freezer is too warm.

- Touching the “Alarm” key for 3 seconds will display the highest temperature the freezer has reached.
- To cancel the alarm, touch the “Alarm” key briefly.
- If a large quantity of food has only recently been added to the freezer, it is likely that the temperature will resolve itself shortly. Ensure that the “Super freeze” function is used to help this.
- If there is no obvious cause for the alarm sounding, contact CDA Customer Care (details on back cover).

## Installation

This appliance must never be installed close to heat sources, e.g. heating elements, cookers or in damp places.

- The plug should be fully accessible at all times.
- To ensure the appliance is level, you should use the height adjustable feet at the front of the appliance.
- The cooling system at the rear of the appliance must not touch the rear wall.
- The appliance must be installed with adequate ventilation. Ensure that there is 10cm clearance above the appliance, and that there is a minimum space of 7.5cm between the rear of the appliance and the wall.

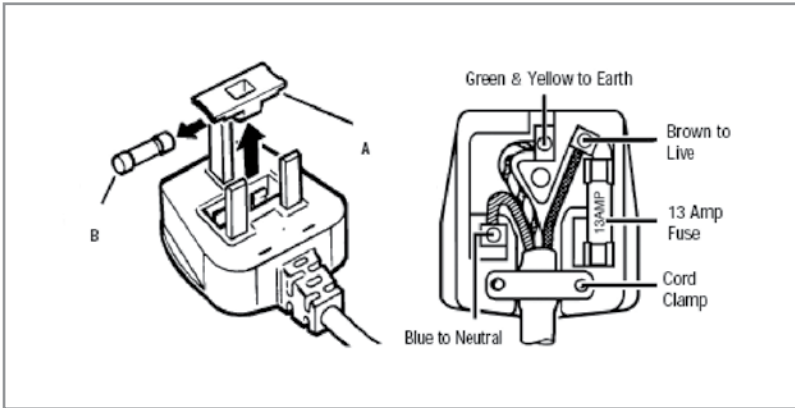
## Fitting the Door Handles

For safety in transit, this appliance is supplied with the door handles left for the user to fit. To do this:

- Lever the plastic blanking plugs out of the handle fixing holes on the left side of the doors.
- Use the special fixing screws supplied in a plastic bag within the appliance to secure the handles in position.
- Fit the decorative screw covers.

# Electrical Information

**Warning! This appliance must be earthed.**



The mains lead of this appliance has been fitted with a BS 1363A 13 Amp fused plug. To change a fuse in this type of plug, follow the steps below:

1. Remove the fuse cover and fuse.
2. Fit replacement 13A fuse, ASTA approved to BS 1362 type, into the fuse cover.
3. Replace fuse cover.

**Important: Do not use the appliance without the fuse cover in position.**

## How to connect an alternative plug

If the fitted plug is not suitable for your socket outlet, then it should be cut off and disposed of safely to prevent the risk of electric shock. A suitable alternative plug of at least 13 Amp rating to BS 1363 should be used.

---

As the colours of the wires in the mains lead of this appliance may not correspond with the coloured markings identifying the terminals in your plug, proceed as follows:-

- The wire which is coloured GREEN and YELLOW must be connected to the terminal which is marked with letter (E) or by the Earth symbol or coloured GREEN and YELLOW.
- The wire which is coloured BLUE must be connected to the terminal which is marked with the letter (N) or coloured BLACK.
- The wire which is coloured BROWN must be connected to the terminal which is marked with the letter (L) or coloured RED.

If in doubt regarding the electrical connection of this appliance, consult a qualified electrician. Do not shorten the supply cable, the appliance may require removing for servicing.

**N.B. Ensure that the plug socket is situated in an easily accessible place.**

**If the power supply cord is damaged, it must be replaced by a CDA authorised agent.**

---

## NOTES

E & O E. All instructions, dimensions and illustrations are provided for guidance only. CDA reserve the right to change specifications without prior notice.



Please contact our **Customer Care Department** for Service on the details below

**Customer Care Department**

The ICDAI Group Ltd. • Harby Road • Langar • Nottinghamshire • NG13 9HY  
T : 01949 862 012 F : 01949 862 003 E : customer.care@cda.eu

