

PC900 American Style Fridge Freezer

Installation, Use and Maintenance



Important

The CDA Group Ltd cannot be held responsible for injuries or losses caused by incorrect use or installation of this product. Please note that CDA reserve the right to invalidate the guarantee supplied with this product following incorrect installation or misuse of the appliance.

Under no circumstances should any external covers be removed for servicing or maintenance except by suitably qualified personnel.

Appliance information:

Please enter the details on the appliance rating plate below for reference, to assist CDA Customer Care in the event of a fault with your appliance and to register your appliance for guarantee purposes.

Appliance Model	
-----------------	--


Serial Number	
---------------	--

EU Declarations of Conformity:

This appliance meets the requirements of all applicable EU directives with the corresponding harmonised standards which provide for CE marking.

IMPORTANT INFORMATION FOR CORRECT DISPOSAL OF THE PRODUCT IN ACCORDANCE WITH WEEE DIRECTIVE 2012/19/EU.

At the end of its working life, the product must not be disposed of as urban waste. It must be taken to a special local authority differentiated waste collection centre or to a dealer providing this service.

Disposing of a household appliance separately avoids possible negative consequences for the environment and health deriving from inappropriate disposal and enables the constituent materials to be recovered to obtain significant savings in energy and resources. As a reminder of the need to dispose of household appliances separately, the product is marked with a crossed-out wheeled dustbin .

Before first use of the fridge/freezer

You must allow the fridge to settle for at least twenty four hours prior to switching the power on.

It is recommended that you clean the interior of the appliance prior to first use, using a solution of bicarbonate of soda and warm water then thoroughly dry the interior.

The fridge may have an odour to it at first use. This will disappear as the appliance cools.

This appliance has been designed with ease of use in mind but please read the following instructions carefully to ensure you familiarise yourself with the appliance and its operation. This will help you to get the best results and also help to prevent you from being charged for unnecessary service calls.

Please note:

The appliance will work continuously until it comes down to the correct temperature.

Important

This appliance is not intended for use by persons (including children) with reduced physical, sensory or mental capabilities, or lack of experience and knowledge, unless they have been given supervision or instruction concerning use of the appliance by a person responsible for their safety. Children must not play with the appliance. Cleaning and user maintenance must not be made by children without supervision.

If the supply cord is damaged, it must be replaced by the manufacturer, its service agent or similar qualified persons in order to avoid a hazard.

Keep ventilation openings, in the appliance enclosure or in the built-in structure, clear of obstruction.

Do not use mechanical devices or other means to accelerate the defrosting process.

Do not use electrical appliances inside the food storage compartments of the appliance.

Do not damage the refrigerant circuit.

Do not store explosive substances such as aerosol cans, with a flammable propellant, within this appliance.

Children should be supervised to ensure that they do not play with the appliance.

WARNING: To avoid a hazard due to instability of the appliance, it must be fixed in accordance with the instructions.

The appliance should be placed against a wall with a free distance of 50mm or more.

This appliance is not intended for use at altitudes exceeding 2000 metres.

If one or more of your appliance's LED lights fails, please contact CDA Customer Care to arrange a service visit. This appliance must only be serviced by CDA authorised personnel. Contact details for CDA Customer Care are on the back of this manual.

If the appliance is switched off, you should allow five minutes before switching it on again to prevent unnecessary damage to the compressor.

Fridge use

- Never put liquids in the refrigerator uncovered.
- Never put hot foods in the refrigerator. Warm food should be allowed to cool to room temperature before being put into the refrigerator.
- Nothing should rest against the rear wall of the refrigerator, as this will cause frost and possible condensation problems which will be difficult to remove.
- Make sure food is clean and any extra water is wiped away before putting into the fridge.
- Wrap or cover food before putting into the fridge. This will help prevent the loss of moisture, keep food fresh and avoid unpleasant odours.
- Sort foods prior to storing. Any foods to be used soon should be stored at the front of the shelf to prevent deterioration caused by the door being open for prolonged periods.
- Do not overfill the fridge. There should be sufficient space between the foods to allow the cool air to circulate.
- Thawing frozen foods in the fridge compartment will help to keep the temperature low and save energy.

Freezer use

- The freezer compartments are designed to store only frozen food.
- Never put hot or warm foods in the freezer, allow them to cool fully before putting them into the freezer.

- Follow the instructions on the food packaging for storage of frozen food. If no information is provided, foods should not be stored for more than three months after the purchase date.
- Store food in small packages (ideally less than 2.5kg). This reduces the freezing time and improves the quality of the food after thawing.
- Wrap food before putting into the freezer. To stop the wrapping sticking together, ensure it is dry.
- Label the food before freezing with information including type of food and dates of storage and expiry.
- Once food is thawed, it must not be refrozen. Only defrost as much food as is required to prevent wastage.
- Bottled or canned drinks should not be stored in the freezer compartments as they could explode.
- The maximum amount of fresh food that can be frozen within a 24 hour period is 10 kg.
- Do not attempt to freeze more than the maximum amount.
- To freeze fresh food more quickly, switch on the super freeze function a few hours prior to placing the food in the freezer.
- Do not use the super freeze function more than once in 72 hours. Use over the recommended time will place unnecessary strain on the refrigeration system.

Storage

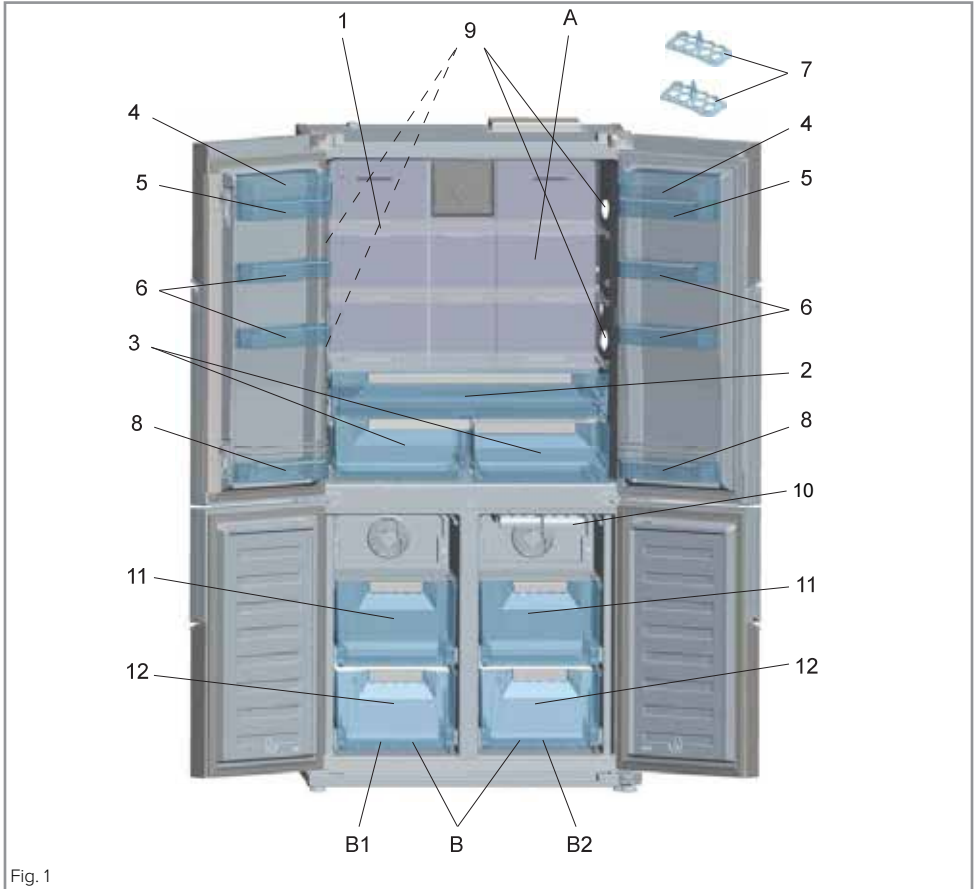


Fig. 1

A - Fridge compartment

B - Freezer compartments

B1 - Zone 1

B2 - Zone 2

1 - Fridge shelves

2 - Chiller compartment

3 - Crisper drawers

4 - Dairy shelf covers

5 - Dairy shelves

6 - Door shelves

7 - Egg trays

8 - Bottle shelves

9 - Led lights

10 - Ice trays

11 - Top freezer drawers

12 - Bottom freezer drawers

Food types and where to store them within the fridge section:

Vegetables and fruits - Crisper drawers (3)

Red meat - Lower fridge shelves and chiller compartment (2)

White meat and fish - Lower fridge shelves and chiller compartment (2)

Cheese - Dairy shelves (5)

Butter and margarine - Dairy shelves (5)

Bottled milk products and yoghurt - Bottle shelves (8)

Eggs - Egg trays (7)

Cooked food - Fridge shelves (1)

Crisper air adjustment sliders

This appliance's crisper drawers feature two air adjustment vent sliders. There is one on each side of the crisper drawer section. When the crisper drawers are full these vents should be moved to the open position to allow air to flow freely ensuring the food remains fresher for longer. To adjust the air sliders, open the crisper drawers part of the way and then lift and pull out the crisper drawer cover. Move the vent sliders towards you to open them and towards the back of the fridge to close them.

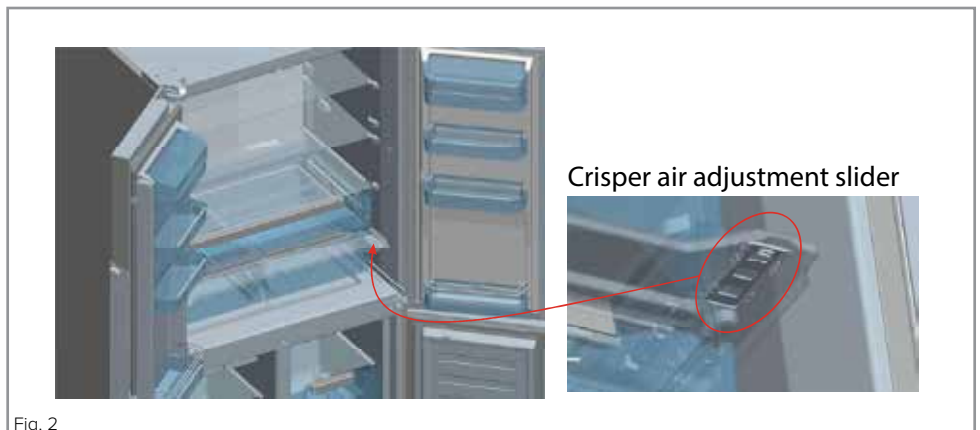


Fig. 2

Control panel

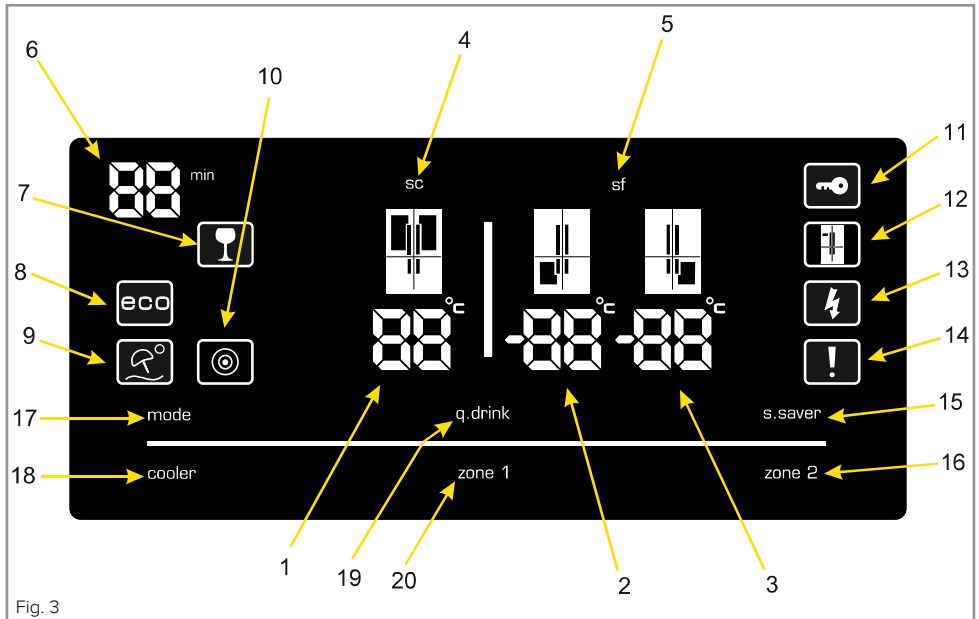


Fig. 3

- 1 - Fridge compartment temperature indicator
- 2 - Left freezer compartment temperature indicator
- 3 - Right freezer compartment temperature indicator
- 4 - Super cool indicator
- 5 - Super freeze indicator
- 6 - Quick-drink timer
- 7 - Quick-drink indicator
- 8 - Eco mode indicator
- 9 - Holiday mode indicator
- 10 - Eco light mode indicator
- 11 - Safety key lock indicator
- 12 - Demo mode indicator
- 13 - Low voltage warning
- 14 - Alarm indicator
- 15 - Screen saver sensor
- 16 - Zone 2 sensor
- 17 - Mode sensor
- 18 - Fridge sensor
- 19 - Quick-drink sensor
- 20 - Zone 1 sensor

IMPORTANT - CONTROL PANEL PROTECTION:

There is a protection on the control panel which prevents an accidental touch changing the mode or function of the appliance. Before attempting to adjust the temperature or function of your appliance, it will be necessary to deactivate the display protection by pressing any sensor briefly. After a double beep and a two second wait, adjustment will be available.

Setting the fridge temperature

- If necessary, touch the “Cooler sensor” (18) once so that the control panel protection is deactivated.
- Touch the “Cooler sensor” (18) as many times as necessary to achieve the desired temperature. This may be set between 2°C and 8°C (not including SC) and each touch will alter the temperature by an increment of 1°C. The optimum temperature for the refrigerator to be set to is 5°C.
- Leave the display for around three seconds to stop flashing and the temperature is set. The appliance will then work towards reaching this temperature.

Setting the freezer temperature

This appliance comes with two freezer compartments that can be independently controlled. Zone 1 is the left hand compartment and Zone 2 is the right hand compartment.

To adjust the temperature in Zone 1

- If necessary, touch the “Zone 1 sensor” (20) once so that the control

panel protection is deactivated.

- Touch the “Zone 1 sensor” (20) as many times as necessary to achieve the desired temperature. This may be set between -16°C and -24°C (not including SF) and each touch will alter the temperature by an increment of 1°C. The optimum temperature for the freezer to be set to is -18°C.
- Leave the display for around three seconds to stop flashing and the temperature is set. The appliance will then work towards reaching this temperature.

To use Zone 1 as a fridge section

- If necessary, touch the “Zone 1 sensor” (20) once so that the control panel protection is deactivated.
- Touch and hold the “Zone 1 sensor” (20) for approximately three seconds. The temperature can now be set, using the Zone 1 sensor (20) between 2°C and 8°C.
- To revert back to Zone 1 being a freezer compartment, simply touch and hold the “Zone 1 sensor” (20) for approximately three seconds and set the desired freezer temperature.

Please note: If Zone 1 is being used as a fridge section, then the super freeze function will not be available for Zone 2.

To adjust the temperature in Zone 2

- If necessary, touch the “Zone 2 sensor” (16) once so that the control panel protection is deactivated.
- Touch the “Zone 2 sensor” (16) as many times as necessary to achieve the desired temperature. This may be set between -16°C and -24°C (not including SF) and each touch will alter the

temperature by an increment of 1°C. The optimum temperature for the freezer to be set to is -18°C.

- Leave the display for around three seconds to stop flashing and the temperature is set. The appliance will then work towards reaching this temperature.

Holiday mode

This appliance is equipped with a holiday mode function which allows you to set the fridge to a low power state and leave the freezer running. This maintains frozen food during a holiday, without fully running the fridge as well. The fridge section will operate at 17°C and cannot be adjusted whilst the mode is active.

To switch the holiday mode on

- If necessary, touch the “mode sensor” (17) once so that the control panel protection is deactivated.
- Press the “mode sensor” (17) as many times as required until the Holiday mode indicator (9) is illuminated. The letter ‘H’ will appear on the Zone 1 display.

To switch the holiday mode off

- If necessary, touch the “mode sensor” (17) once so that the control panel protection is deactivated.
- Press the “mode sensor” (17) as many times as required until the desired mode is selected.

Eco running mode

This appliance is equipped with an ecological function which ensures that food is kept at a safe temperature and costs are kept to a minimum.

To switch the eco mode on

- If necessary, touch the mode sensor (17) once so that the control panel protection is deactivated.
- Press the mode sensor (17) as many times as required until the Eco mode indicator (8) is illuminated. An 'E' will appear on the Zone 1 display.

To switch the eco mode off

- If necessary, touch the mode sensor (17) once so that the control panel protection is deactivated.
- Press the mode sensor (17) as many times as required until the desired mode is selected.

Eco light mode

This appliance is also equipped with a function which allows you to switch off the interior lights for when the doors are opened. This is for cases where exterior illumination is sufficient enough to see the appliance's contents and provides lower overall power consumption.

To switch the eco light mode on

- If necessary, touch the mode sensor (17) once so that the control panel protection is deactivated.

- Touch and hold both the mode sensor (17) and the screen saver sensor (15) for approximately three seconds. The eco light mode indicator (10) should illuminate and the internal lights will no longer come on when the doors are opened.

To switch the eco light mode off

- If necessary, touch the mode sensor (17) once so that the control panel protection is deactivated.
- Touch and hold both the mode sensor (17) and the screen saver sensor (15) for approximately three seconds. The eco light mode indicator (10) should extinguish and the internal lights will now come on when the doors are opened.

Quick-drink alarm

This appliance is equipped with a feature that serves as a reminder for any drinks you place in either of the freezer zones with the intention of cooling them quickly. The time can be set in 5 minute increments anywhere between 5 minutes and 30 minutes. After the set time has expired an acoustic alarm will sound to remind you to take the beverages out of the freezer compartment(s).

To switch the Quick-drink alarm on

- If necessary, touch the Quick-drink sensor (19) once so that the control panel protection is deactivated.
- Press the mode sensor Quick-drink sensor (19) as many times as required until the desired time is shown on the Quick-drink timer (6). The Quick-drink indicator (7) will illuminate.

To switch the Quick-drink alarm off

- If necessary, touch the Quick-drink sensor (19) once so that the control panel protection is deactivated.
- Once the acoustic alarm is sounding, it can only be deactivated by touching the Quick-drink sensor (19), holding it for three seconds and then releasing it.

To cancel the Quick-drink alarm

- If necessary, touch the Quick-drink sensor (19) once so that the control panel protection is deactivated.
- Press the Quick-drink sensor (19) so that the Quick-drink indicator flashes. After a couple of seconds, the symbols will extinguish and the Quick-drink alarm will be deactivated.

Important note:

We strongly advise that you check the temperature and/or the state of the bottles you are quick-cooling regularly to ensure they are not close to freezing. If they feel cold enough, please remove them from the appliance immediately. If bottles are left within the freezer, particularly when carbonated, they may explode. The CDA Group cannot be held responsible for any loss or damages incurred from this.

Super freeze function

The super freeze function can be used to freeze large quantities of fresh food as quickly as possible. It can be used on Zone 1 and 2 independently or at the same time. For best results, switch the function on an hour prior to introducing large quantities of food to be frozen. This function will deactivate automatically after 24 hours of continued use or once the freezer temperature sensor senses that a sufficient temperature has been reached.

To switch the super freeze function on

- If necessary, touch the “Zone 1 sensor” (20) or “Zone 2 sensor” (16) once so that the control panel protection is deactivated.
- Touch the desired freezer zone’s sensor as many times as necessary to cycle through the temperature settings until the zone’s display reads “SF”. Do this with the other zone as well if the super freeze function is required for both zones.

To switch the super freeze function off

- If necessary, touch the “Zone 1 sensor” (20) or “Zone 2 sensor” (16) once so that the control panel protection is deactivated.
- Touch the desired freezer zone’s sensor as many times as necessary to cycle through the temperature settings until the newly required temperature is set.

NOTE: It is possible to operate both the super freeze and super cool functions simultaneously.

Super cool function

The super cool function can be used to maintain the fridge temperature when large quantities of fresh food are introduced into the fridge. This function will deactivate automatically after 4-6 hours of continued use or once the fridge temperature sensor senses that a sufficient temperature has been reached.

To switch the super cool function on

- If necessary, touch the “Fridge sensor” (18) once so that the control panel protection is deactivated.
- Touch the “Fridge sensor” (18) as many times as necessary to cycle through the temperature settings until the zone’s display reads “SC”.

To switch the super cool function off

- If necessary, touch the “Fridge sensor” (18) once so that the control panel protection is deactivated.
- Touch the “Fridge sensor” (18) as many times as necessary to cycle through the temperature settings until the newly desired temperature is set.

NOTE: It is possible to operate both the super freeze and super cool functions simultaneously.

Safety key lock

The fridge is equipped with a safety key lock to prevent accidental reprogramming of the fridge. A beeper will sound if the control panel is used whilst the safety key lock is active.

To switch the safety key lock on

- If necessary, touch the “Fridge sensor” (18) once so that the control panel protection is deactivated.
- Touch and hold both the ‘Fridge sensor’ (18) and the ‘Zone 2 sensor’ (16) for approximately three seconds. The Safety key lock indicator (11) should illuminate.

To switch the safety key lock off

- If necessary, touch the “Fridge sensor” (18) once so that the control panel protection is deactivated.
- Touch and hold both the ‘Fridge sensor’ (18) and the ‘Zone 2 sensor’ (16) for approximately three seconds. The Safety key lock indicator (11) should extinguish.

Door open alarm

This appliance is equipped with an alarm to alert you if a door is left open. In the event that a door is left open for more than two minutes the appliance will start a series of short, sharp beeps and the LED interior lights will pulsate. This continues until both doors are properly shut.

Defrosting your appliance

The fridge is cooled by convection using cold air forced through channels at the rear of the fridge. No defrosting is required.

The freezer is frost free and as such is designed not to require defrosting. If you notice ice on the back wall of the fridge then this could be due to a number of factors including food items touching the

back wall or an ingress of warm air caused by a faulty door seal.

Care, cleaning and maintenance

Always disconnect the appliance from the power before any cleaning or maintenance.

- Leave spaces between food items wherever possible to allow air to flow between them.
- Avoid contact of oily or acidic foods with the rear and side walls. Oils and acids can damage the liner material. If any such foods come into contact with the walls, clean the spot with warm water and bicarbonate of soda.
- The refrigerator and freezer sections should be cleaned using a solution of bicarbonate of soda and lukewarm water.
- Do not use abrasive products or detergents. After washing, rinse and dry thoroughly.
- Clean the shelves and balconies separately by hand using soap and water. Do not put them in the dishwasher.
- Keep the door seals clean to avoid damage to them and to help to ensure that they continue to function correctly.
- Once cleaning is complete, then reconnect the power.
- If the appliance is not used for prolonged periods of time, unplug and clean it. The doors should be left slightly open to prevent the formation of mildew or odours.

Please note: If one or more of your appliance's LED lights fails, please contact CDA Customer Care to arrange a service visit. This appliance must only be serviced by CDA authorised personnel.

Troubleshooting

If you have any problems with your appliance, you should check the troubleshooting prior to calling CDA Customer Care, to prevent unnecessary service calls and potential cost. Contact details for CDA Customer Care are on the rear cover of this manual.

If the appliance is not working, check the following;

- There is power to the appliance.
- The control panel is lit and is not locked.
- The house fuses are intact and the fuse in the plug has not blown.
- The appliance is not in holiday mode.
- The plug socket is functioning correctly. To check this, plug another electrical appliance in to see if the socket is working.

If the appliance is working, but not very well, check the following;

- The appliance is not overloaded.
- The temperature is set to an appropriate level.
- The doors are closing properly.
- The cooling system at the rear of the appliance is clean and free of dust, and not touching the rear wall.
- There is enough ventilation at the side and rear walls.

If the appliance is noisy, check the following;

- The appliance is level and stable.
- The side and rear walls are clear, and there is nothing resting on the appliance.
- It is normal to hear the compressor running. This will operate periodically and more so when the appliance doors are opened.

- The appliance may make what seem to be peculiar noises, even when the compressor is not running. Details of the sorts of noise you may hear are below:

Cracking noise, similar to ice cracking - Normal noise that can occur when the appliance is cooling or warming. Due to the expansion and contraction of appliance materials.

Loud click - Normal noise and is usually the thermostat switching the compressor on or off.

Ticking sound - Normal noise that is usually caused by the functions of a valve at the back of the refrigerator.

Motor sound - Normal noise caused by the compressor running, sometimes accompanied by a brief metallic rattle. This sound may be more intense for the first seconds after the compressor starts. If the metallic noise (i.e. metal hitting metal) is constant then it may be that a compressor mount is loose. Contact the Customer Care Department in this instance.

Bubbling noise - Normal noise caused by the movement of the refrigerant within the appliance's pipework.

Gentle whir and/or 'mooring' noise - Normal noise caused by the internal fan(s) of the appliance and circulating air.

Fault codes and symbols

In the event of a failure of one or more parts of the appliance, an out-of-limit temperature measurement or a power issue, the appliance will display one of five codes and/or symbols on the control panel. These codes and/or symbols and their probable causes are listed on the following page.



This symbol will be accompanied by an audible warning. This indicates that one or more pieces of equipment within the appliance has deactivated or there is a cooling problem. Contact CDA Customer Care using the details below as soon as possible.



This symbol will appear if the freezer compartments are not cold enough. If the freezer has not been off before this symbol appeared, check that the doors are closing and sealing properly and then initiate the super freeze function for a while and see if the symbol disappears. Do not place fresh food in the freezer until this symbol disappears. If it does not, contact CDA Customer Care.



This symbol will appear if the fridge compartment is not cold enough. If the fridge has not been off before this symbol appeared (i.e. holiday mode), check that the doors are closing and sealing properly then initiate the super cool function for a while and see if the symbol disappears. If it does not, contact CDA Customer Care.



This symbol will appear if the fridge compartment is too cold. If the super cool function is active, cancel it. If it is not active then try raising the temperature of the fridge via the control panel. If the symbol does not disappear after some time, contact CDA Customer Care.

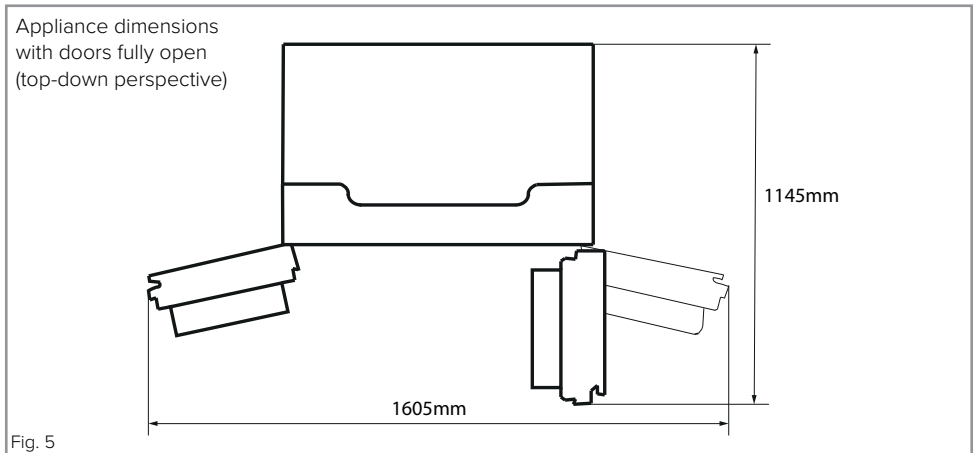
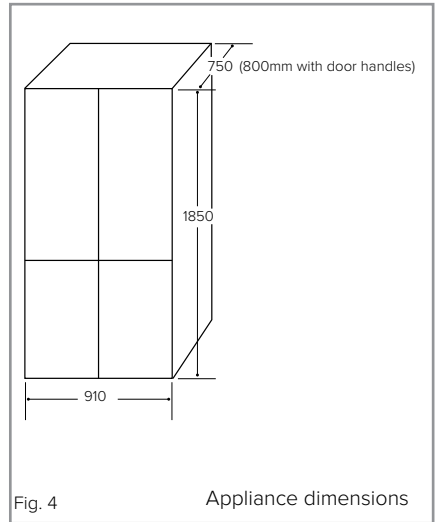


This symbol will appear if the mains voltage has dropped below 170V. When mains voltage restores to normal levels the symbol should disappear.

Installation and ventilation

This appliance must never be installed close to heat sources i.e. heating elements and cookers or in damp places.

Failure to provide adequate ventilation can lead to increased running costs and premature failure; it may also invalidate the warranty provided with the product.



- The plug should be fully accessible at all times.
- Ensure ventilation openings are kept clear.
- Do not use a multi-plug adaptor in the socket to connect this appliance alongside other appliances.
- Do not tilt the fridge beyond 45°.
- Do not exert excessive pressure on the appliance.

- Locate the appliance in a well ventilated position, away from heat sources, damp and direct sunlight.
- Ensure that there is a gap of no less than 10cm above and to the sides of the appliance to allow for ventilation. The clearance between the sides and adjacent furniture must also allow the doors to open fully. **Note that a greater side gap will be required if the appliance is to be positioned next to a wall to allow the doors to open fully (fig. 5).**
- A gap of 5cm must be allowed for ventilation between the rear wall and the back of the appliance.

This appliance is not intended for use at altitudes exceeding 2000 metres.

Electrical information

Warning! This appliance must be earthed.

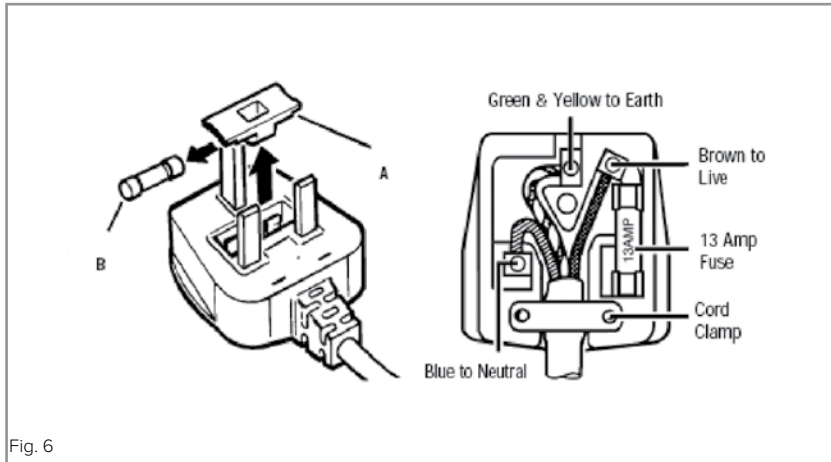


Fig. 6

The mains lead of this appliance has been fitted with a BS 1363A 13A fused plug. To change a fuse in this type of plug, follow the steps below:

1. Remove the fuse cover and fuse.
2. Fit replacement 13A fuse, ASTA approved to BS 1362 type, into the fuse cover.
3. Replace fuse cover.

Important: do not use the appliance without the fuse cover in position.

How to connect an alternative plug

If the fitted plug is not suitable for your socket outlet, then it should be cut off and disposed of safely to avoid possible shock hazard. A suitable alternative plug of at least 13 Amp rating to BS 1363 should be used.

As the colours of the wires in the mains lead of this appliance may not correspond with the coloured markings identifying the terminals in your plug, proceed as follows:-

- The wire which is coloured GREEN and YELLOW must be connected to the terminal which is marked with letter (E) or by the Earth symbol \perp or coloured GREEN and YELLOW.
- The wire which is coloured BLUE must be connected to the terminal which is marked with the letter (N) or coloured BLACK.
- The wire which is coloured BROWN must be connected to the terminal which is marked with the letter (L) or coloured RED.

If in doubt regarding the electrical connection of this appliance, consult a qualified electrician. Do not shorten the supply cable, the appliance may require removing for servicing.

N.B. Ensure that the plug socket is situated in an easily accessible place.


If the power supply cable is damaged, it must be replaced by a CDA authorised agent.

Notes:

Notes:

Notes:

Energy Efficiency Information

Attribute	Symbol	Value	Units
Model identification		PC900	
Category of the household refrigerating appliance		7	
Voltage / Frequency	220 - 240V ~ / 50Hz		
Dimensions (W x D x H cm)	910 x 750 x 1850		
Mass of the appliance	M	139.5	kg
Energy efficiency class		A+	
Annual energy consumption	AEC	459	kWh/year
The energy consumption is based on standard test results for 24 hours. Actual energy consumption will depend on how the appliance is used and where it is located.			
Storage volume (fridge)		362	L
Storage volume (freezer)		164	L
Star rating			°C
Defrosting type	Automatic		
Climate class		T/N	
Airborne acoustic noise emissions	pW	46	dB(A)

E & O E. All instructions, dimensions and illustrations are provided for guidance only. CDA reserve the right to change specifications without prior notice.



Please contact our **Customer Care Department** for Service on the details below

Customer Care Department

The CDA Group Ltd. • Harby Road • Langar • Nottinghamshire • NG13 9HY
T : 01949 862 012 F : 01949 862 003 E : customer.care@cda.eu

