

EVP61/91/101/121

Extractors

Installation, Use and Maintenance



Important

The manufacturer cannot be held responsible for injuries or losses caused by incorrect use or installation of this product. Please note that the manufacturer reserves the right to invalidate the guarantee supplied with this product following incorrect installation or misuse of the appliance or use in a commercial environment.

This appliance is not designed to be used by people (including children) with reduced physical, sensorial or mental capacity, or who lack experience or knowledge about it, unless they have had supervision or instructions on how to use the appliance by someone who is responsible for their safety.

Under no circumstances should any external covers be removed for servicing or maintenance except by suitably qualified personnel.

Appliance information:

Please enter the details on the appliance rating plate below for reference, to assist CDA Customer Care in the event of a fault with your appliance and to register your appliance for guarantee purposes.


Appliance Model	
-----------------	--

Serial Number	
---------------	--

EU Declarations of Conformity:

This appliance has been manufactured to the strictest standards and complies with all applicable legislation, including Gas safety, Electrical safety (LVD) and Electromagnetic interference compatibility (EMC).

IMPORTANT INFORMATION FOR CORRECT DISPOSAL OF THE PRODUCT IN ACCORDANCE WITH EC DIRECTIVE 2012/19/EU.

At the end of its working life, the product must be taken to a special local authority waste collection centre or to a dealer providing appliance recycling services. Disposing of a household appliance separately avoids possible negative consequences for the environment and health. It also enables the constituent materials to be recovered, saving both energy and resources. As a reminder of the need to dispose of household appliances separately, the product is marked with a crossed-out wheeled dustbin. 

Please note:

- Under no circumstances should the extractor be connected to any gas ventilation system, flue system or hot air ducting system.
- Do not vent the extractor into an attic or loft space.
- Only house the extractor in rooms with adequate ventilation. Remember that the extractor is powerful and whatever air is extracted needs to be replaced.
- Do not tile the extractor in. It should be removable for service or maintenance.
- Do not use silicone sealant to secure the hood to the wall.
- You must be able to isolate the extractor from the mains electrical supply after installation.

- Steam cleaners must not be used when cleaning this appliance.
- The performance of your extractor will vary depending on a number of factors. These include: type of extraction, length of ducting, room volume, ventilation available and cleanliness of the filters.

Using your Extractor

For best performance, you should switch on the extractor 15 minutes before starting to cook and leave it to run for approximately 15 minutes after the end of cooking.

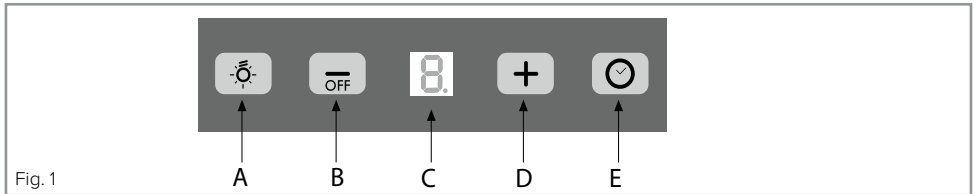


Fig. 1

Control Panel

- A - Light key
- B - Decrease speed key
- C - Display
- D - Increase speed key
- E - Timer key

To switch the extractor light on and off

- Touch key “A”.

To switch on the extractor

- Touch either key “B” or “D”. The appliance will switch on at the first speed.
- To increase the speed touch key “D”.
- To switch the extractor off, touch and hold key “B” for two seconds when the extractor is working at higher speeds, or touch key “B” at speed one.

The intensive function

- The extractor is equipped with an intensive function which runs for ten minutes before returning to the previous selected speed. To activate the intensive function, touch key “D” at speed three. The display will blink whilst the intensive function is on.

The timer

- The extractor is equipped with a timer that allows the extractor to run for 15 minutes before switching off automatically.
- To activate the timer, touch key “E”. The display will flash a decimal point when the timer is on. **Please note:** The timer cannot be activated when the intensive function is on.

The clean air function

- The extractor is equipped with a clean air function that switches on the motor for ten minutes every hour at speed one.
- To activate the clean air function, touch key “E” for two seconds when the appliance is off. To return to normal function, touch either key “B” or “D”. To switch off the clean air function, touch key “E”. The display “C” will light up in sections whilst the motor is running, and will show the letter “C” during the fifty minutes when the motor is not running.

Care and Maintenance

IMPORTANT : DO NOT PERFORM MAINTENANCE OR CLEANING OF THE EXTRACTOR WITHOUT FIRST SWITCHING OFF THE ELECTRICITY SUPPLY.

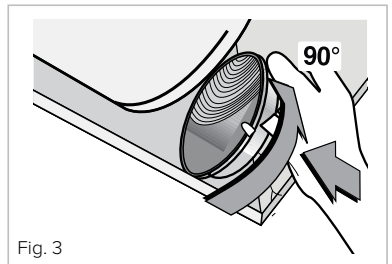
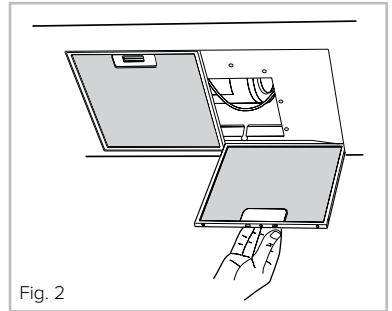
Cleaning

You should use a nonabrasive cleaner. Any abrasive cleaner (including Cif) will scratch the surface and could erase the control panel markings. You can clean your extractor effectively by simply using a dilute solution of water and mild detergent and drying to a shine with a clean cloth.

Cleaning the grease filter

The grease filters should be kept clean to minimise the risk of fire.

When the display flashes alternating the speed selected with the letter “A”, or at least once a month, you should remove and clean the grease filters with hot soapy water. You can also wash the grease filters in a dishwasher, ensuring that you place them in an upright position to prevent damage from other items in the dishwasher. After rinsing and drying, replace the filters. After the grease filters have been replaced, the electronic memory must be reset by touching key “A” for approximately five seconds, until the letter “A” stops flashing.



To remove the grease filters

1. Pull open the handle on each grease filter as shown in fig. 2. It will release at the handle side.
2. Lower the grease filter to remove it completely.

To replace the grease filters

Repeat the steps above in reverse order.

Please note: Cleaning the grease filters in a dishwasher may lead to discolouration. This is normal and does not constitute a fault with the appliance.

Changing the charcoal filter (re-circulating only)

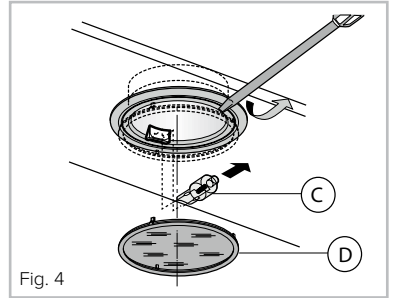
When the display flashes alternating the speed selected with the letter “F”, the charcoal filters must be replaced. After the charcoal filter has been replaced, the electronic memory must be reset by touching key “A” for approximately five seconds, until the letter “F” stops flashing.

To attach a new charcoal filter, first remove the grease filters as described above. Then offer up the charcoal filter to the side of the motor as shown in fig. 3 and turn it clockwise until it locks into place. Repeat with the other charcoal filter on the other side of the motor. Then replace the grease filters.

Changing the Light

DO NOT CHANGE THE LIGHT BULB IMMEDIATELY AFTER USE AS THE BULB WILL BE HOT. ALLOW IT TO COOL BEFORE REMOVING IT.

Unscrew the light bulb cover, see fig. 4. Unscrew the light bulb and replace with a 12V 20W halogen light bulb. Finally, replace the light bulb cover.



Do not touch bulbs or adjacent areas during or straight after prolonged use of the lights.

The light is designed for use during cooking and not for general room illumination. Extended use of the light can reduce the life span of the bulb.

Bulb replacement is not covered by the guarantee.

Only use bulbs recommended for your extractor. Do not fit bulbs of a higher power rating.

Bulbs of a lower power rating may be adequate for use, generally last longer and use less energy.

Mains Electricity Connection

THIS APPLIANCE MUST BE CONNECTED TO THE MAINS SUPPLY BY A COMPETENT PERSON, USING FIXED WIRING VIA A DOUBLE POLE SWITCHED FUSED SPUR OUTLET AND PROTECTED BY A 3A FUSE.

We recommend that the appliance is connected by a qualified electrician, who is a member of the N.I.C.E.I.C. and who will comply with the I.E.T. and local regulations.

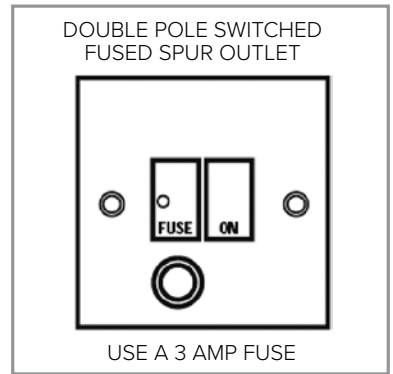
The wires in the mains lead of this appliance are coloured in accordance with the following code:

BLUE = NEUTRAL, BROWN = LIVE.

As the colours of the wires in the mains lead for the appliance may not correspond with the coloured markings identifying the terminals connecting to the fused spur, proceed as follows:

- The wire which is coloured blue must be connected to the terminal marked N (Neutral), or coloured black.
- The wire which is coloured brown must be connected to the terminal marked L (Live), or coloured red.

NOTE: USE A 3A FUSE



Assembly and electrical connection should be carried out by competent personnel.

When installing this product we recommend you seek the help of another individual.

IMPORTANT: THIS APPLIANCE IS A CLASS II APPLIANCE (DOUBLE INSULATED) AND IS NOT INTENDED TO BE EARTHED. DO NOT FIT AN EARTH LEAD TO THIS EXTRACTOR.

Do not mount the isolation switch behind the chimney section. It is a requirement that you must be able to isolate the extractor from the mains electrical supply after installation.

This appliance is intended to be connected to the mains electrical supply by means of an isolation switch and fused spur and is intended to be protected by a 3A fuse. The use of a 13A fuse can cause damage to the internal wiring in the event of a fault, and may also invalidate the warranty.

Electrical Information

Mains electrical voltage: 230 – 240Vac, 50Hz

Total rated power consumption: 290W

Troubleshooting

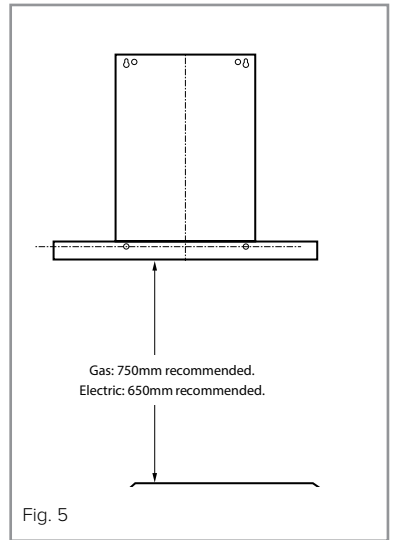
If your extractor is not working:

1. Check that the mains supply has not been switched off.
2. Check that the fuse in the spur has not blown.

Mounting your Extractor

When the extractor is to be installed above an electric hob, the minimum distance between the hob and extractor must exceed 600mm (650mm is recommended).

When the extractor is to be installed above a gas hob, the minimum distance between the hob and extractor must exceed 700mm (750mm is recommended).



If the instructions provided with your gas hob state that the required distance between the hob and extractor must be greater than 700mm, then that is the distance that should be observed; this is a legal requirement and may lead to your hob being disconnected from the gas supply and the installation being reported to RIDDOR (The height should be measured from the top of the burners).

IN THE ABSENCE OF ANY INSTRUCTIONS SUPPLIED WITH THE GAS HOB, THE MINIMUM DISTANCE BETWEEN THE HOB AND EXTRACTOR MUST BE AT LEAST 760mm.

The width of any hob must not be greater than the width of the extractor installed above it. Fig. 5.

Ducting and Ventilation

For best performance and lowest noise output, we recommend the use of 125mm or 150mm ducting. You can also use 100mm ducting but this will reduce performance and increase the noise from your extractor.

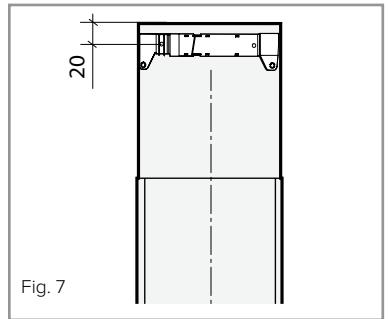
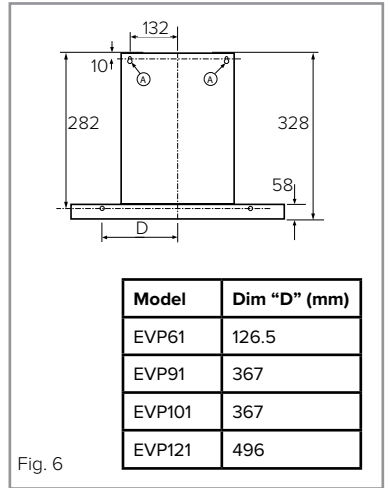
Installation

The extractor is mounted to the wall using 4 plugs and fixing screws, see fig. 6.

1. Mark the wall with the positions of the fixing holes at the required height. The height of the hood holes should take into account the minimum height specified in the instructions.

2. Fit 4 wall plugs appropriate for the wall type into the drilled holes and fix two screws to the wall at positions 'A' and leave approximately 5mm protruding.

3. Hang the hood and secure screws 'A'. Fix the hood in position using 2 screws through the remaining mounting holes shown.



Mounting the Chimney Section

1. Adjust the width of the mounting bracket to suit the chimney size of your extractor and mark 2 points on the wall, 20mm down from the ceiling for the fixings (fig 7).

2. Drill and insert 2 plugs suitable for use with the wall type into the holes and fix the bracket with 2 screws.

3. Fit the chimney section and secure to the mounting bracket with the supplied screws (fig 8).

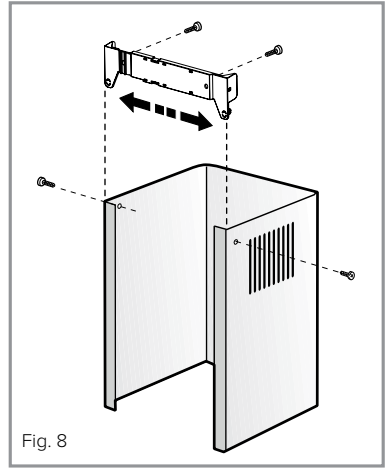


Fig. 8

Energy Efficiency Information

Attribute	Symbol	Value		Units
Model Identification		EVP61/91	EVP101/121	
Annual Energy Consumption	AEC_{Hood}	105.1	122.3	kWh
Time increase factor	f	1.4	1.4	
Fluid Dynamic Efficiency	FDE_{Hood}	16.1 (D)	17.6 (D)	
Energy Efficiency Index	EEl_{Hood}	89.2 (D)	87.4 (D)	
Measured airflow at Best Efficiency Point	Q_{BEP}	347.6	454.1	m ³ /h
Measured Pressure at Best Efficiency Point	P_{BEP}	243.5	261	Pa
Maximum airflow	Q_{MAX}	503	650	m ³ /h
Measured electric power at Best Efficiency Point	W_{BEP}	146.3	186.7	W
Nominal lighting power	WL	40	40	W
Average illumination of the lighting system on the cooking surface	E_{Middle}	200	200	Lux
Measured power consumption in standby	P_S	0.49	0.49	W
Measured power consumption off mode	P_O	NA	NA	W
Sound power level	L_{WA}	62	69	dBA
Grease Filter Efficiency	GFE_{Hood}	73 (D)	74 (D)	%
Lamp efficiency	LE_{Hood}	5 (F)	5 (F)	%

E & O E. All instructions, dimensions and illustrations are provided for guidance only. CDA reserve the right to change specifications without prior notice.

Please contact our **Customer Care Department** for Service on the details below

Customer Care Department

The ICDAI Group Ltd. • Harby Road • Langar • Nottinghamshire • NG13 9HY
T : 01949 862 012 F : 01949 862 003 E : customer.care@cda.eu

