

# CI921 Integrated Tumble Dryer

Installation, Use and Maintenance



## User Information

The room must be adequately ventilated to avoid the backflow of gases into the room from appliances burning gas or any other fuels. This includes open fires.

It is important to clean the lint filter after each drying cycle. Items that have been soiled with substances such as cooking oil, acetone, alcohol, petrol, kerosene, spot removers, turpentine, waxes and wax removers should be washed in hot water with an extra amount of detergent before being dried in the tumble dryer.

Fabric softeners, or similar products, should be used as specified by the fabric softener instructions.

Remove all objects from pockets such as lighters and matches.

We recommend that the appliance is switched off each time after use. It should be disconnected from the electricity supply if it is to be unattended for long periods, ( i.e. weekends or holiday etc).

### **Do not**

- Overload the dryer.
- Dry articles singly as they tend to roll up and so increase drying time.
- Dry anything other than the recommended articles be placed in the tumble dryer. These can cause fires.
- Place articles which have been in contact with dry cleaning fluid, petrol, cooking oil, fat, hair lacquer or other

flammable substances in the tumble dryer.

- Attempt to dry dripping wet articles.
- Dry unwashed items in the tumble dryer.
- Dry wool or wool mixture articles unless the article is labelled as suitable. This should avoid shrinkage.
- Dry items such as foam rubber (latex foam), shower caps, waterproof textiles, rubber backed articles and clothes or pillows fitted with foam rubber pads.
- Exhaust air must not be discharged into a flue which is used for exhausting fumes from appliances burning gas or other fuels.
- Allow the vent hose (where applicable) or filter to become blocked.
- Allow lint to accumulate around the tumble dryer.
- Use a two-way or multi-way adapter, or extension lead. The dryer must be connected to its own individual socket.
- Use the tumble dryer if you suspect that it is damaged in anyway.

**Never switch the dryer off and leave a hot load in the drum – risk of fire.**

**WARNING: Never stop a tumble dryer before the end of a drying cycle unless all items are quickly removed and spread out so the heat is dissipated.**



**CAUTION  
HOT SURFACE**

This label positioned on the rear of your dryer, indicates the surface is hot when in operation – avoid touching.

## Important

This appliance must only be used for the purpose for which it is intended, i.e. domestic use. Any other use could be dangerous and may lead to premature failure of the appliance.

The CDA Group Ltd cannot be held responsible for injuries or losses caused by incorrect use or installation of this product. Please note that CDA reserve the right to invalidate the guarantee supplied with this product following incorrect installation or misuse of the appliance.

This appliance can be used by children aged from 8 years and above and persons with reduced physical, sensory or mental capabilities or lack of experience and knowledge if they have been given supervision or instruction concerning use of the appliance in a safe way and understand the hazards involved. Children shall not play with the appliance. Cleaning and user maintenance shall not be made by children without supervision.

Under no circumstances should any external covers be removed for servicing or maintenance except by suitably qualified personnel.

### **Appliance information:**

Please enter the details on the appliance rating plate below for reference, to assist CDA Customer Care in the event of a fault with your appliance and to register your appliance for guarantee purposes.

<b>Appliance Model</b>	
<b>Serial Number</b>	


## **CE Declarations of Conformity:**

This appliance has been designed, constructed and marketed in compliance with safety requirements of EEC Directives 2006/95/EEC & 2014/35/EU (Low voltage) and requirements of EMC Directives 2004/108/EEC & 2014/30/EU.

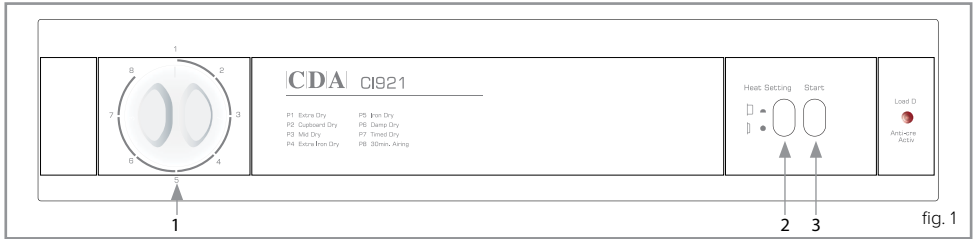
This product is manufactured to comply with the radio interference requirements of the Council directives 82/336/EEC, 2004/108/EC & 2014/30/EU.

## **IMPORTANT INFORMATION FOR CORRECT DISPOSAL OF THE PRODUCT IN ACCORDANCE WITH EC DIRECTIVE 2012/19/EU.**

At the end of its working life, the product must not be disposed of as urban waste. It must be taken to a special local authority differentiated waste collection centre or to a dealer providing this service.

Disposing of a household appliance separately avoids possible negative consequences for the environment and health deriving from inappropriate disposal and enables the constituent materials to be recovered to obtain significant savings in energy and resources. As a reminder of the need to dispose of household appliances separately, the product is marked with a crossed-out wheeled dustbin. 

# Use and Controls



## 1. Programme selector:

Choose the final dryness of the load by selecting the desired dryness setting (see the programme chart).

The dryer will stop automatically when the chosen dryness is achieved.

## 2. Heat settings:

High – For fabrics insensitive to higher temperatures, such as cotton.

Gentle – For temperature sensitive clothes.

## 3. Start button:

Press to start the drying cycle.

## 4. Anti-crease active light

When lit constantly, the neon indicates that the drying cycle is completed and clothes can be removed. To reduce creasing of clothes, anti-crease will automatically start once the drying cycle is complete.

# Programme Chart

Programmes 1-7 can be operated on either full heat or half heat setting and include a 12 minute cool-down period at the end of the cycle, followed by the automatic anti-crease cycle.

Programme 8 operates without the heater (regardless of the heat switch setting), circulating air through the dryer at the ambient temperature.

Please note: the use of an iron dry programme will use 30% less energy than a cupboard dry programme

Programme number	Programme	Description
1	Extra dry	Clothes are dry enough to be put away
2	Cupboard dry	Clothes are dry enough to be put away
3	Mid dry	Clothes are generally dry enough to be put away, depending upon fabric
4	Extra iron dry	Clothes are almost dry but can be easily ironed
5	Iron dry	Clothes are slightly damp and ready to be ironed
6	Damp dry	Clothes are damp and ready to be ironed
7	Timed dry	30 minute timed drying programme
8	30 min airing	30 minute timed 'airing' programme which is useful for freshening up clothing.

# To Run a Programme

- Sort out the clothes into groups of similar fabrics and colours. Check the care label inside the garment. We suggest that a fabric conditioner be used to reduce static electricity. Delicate articles e.g. tights should be placed inside a pillowcase. It is better to dry small and large articles together.
- Open the door.
- Load clothes loosely into the drum.
- Load sheets first starting with one corner.
- Close the door.
- Dry your hands.
- Switch on the machine.
- Select correct heat position.
- Set the programme to the required dryness setting.
- Press the start button.

The standard cotton programme is suitable to dry normal wet cotton laundry. It is the most efficient programme in terms of energy consumption for drying wet cotton laundry.

Your appliance is a reversing, small door opening. A full load will typically take 135 minutes and will use approximately 4.39kWh of electricity. A half load will typically take 76 minutes and will use approximately 2.38 kWh of electricity.

The power consumption of the off-mode and the left-on mode is zero.



- 
- The drum will begin to turn, and will stop when the clothes are dry. The drum will rotate clockwise and anticlockwise during the programme alternately to reduce creasing.
  - There is an automatic 12 minute cool down period at the end of the cycle, during which the heater is switched off, to minimise creasing and prevent damage to the clothing.
  - After each programme, the dryer will run an anti-crease programme, rotating the drum briefly every six minutes until the dryer is stopped or the door is opened.
  - Once the clothes are removed, clean the filter.
  - Switch off the electricity supply.

# Use and Controls




Should the clothes dry before the cycle has finished the thermostat will automatically switch off the heater to prevent over drying and save energy although the drum will still rotate.

When drying large items such as sheets, we suggest you stop the dryer to redistribute the load.

To stop the machine during the middle of a programme, open the door: the drum will stop rotating automatically and reset when you close the door.

To restart the programme, press activate and then the start button. The final part of the drying cycle occurs without heat (cool down cycle) to ensure that the items will not be damaged.

## Care labels you may find on your fabrics

	'Suitable for tumble drying'
	'Do not tumble dry'
	'Dry flat'

# Energy Efficiency Information

Suppliers name or trade mark	CDA
Model identifier	CI921
Rated capacity at full load	7kg
Appliance type	Air Vented
Energy efficiency class	C
Energy consumption of the appliance*	519kWh
<p>The figures above are based on 160 drying cycles of the standard cotton programme at full and partial load and the consumption of the low-power modes. Actual energy consumption per cycle will depend on how the appliance is used.</p>	
Automatic/non-automatic	Automatic
EU Ecolabel	N/A
$E_{dry}$	4.39kWh
$E_{dry/2}$	2.38kWh
$E_{g_{dry}}$	N/A
$E_{g_{dry/2}}$	N/A
$E_{g_{dry,a}}$	N/A
$E_{g_{dry/2,a}}$	N/A
Off mode power ( $P_o$ )	0W
Left on mode power ( $P_l$ )	0W
Duration of left-on mode	N/A
<p>The standard cotton programme used at full and partial load is the standard drying programme to which the information in the label and the fiche relates. This programme is suitable for drying normal wet cotton laundry. It is the most efficient programme in terms of energy consumption for cotton.</p>	
$T_t$	101mins
$T_{dry}$	135mins
$T_{dry/2}$	76mins
Condensing efficiency class	N/A
$C_t$	N/A
$C_{dry}$	N/A
$C_{dry/2}$	N/A
Sound power level	62dBA
Built in/not built in	Built in

# Care and Maintenance

## Cleaning The Filter

The filter is found, by opening the door (fig.2.) and must always be in position when drying items in the appliance.

To allow the dryer to operate efficiently the filter should be cleaned after each drying cycle.

Do not be alarmed by the amount of lint deposited on the mesh. It is not due to excessive wear caused by the dryer but more an indication of its efficient operation. All fabric loses lint when drying but it goes unnoticed into the air. In a tumble dryer it simply collects in the filter.

After removing the dried clothes, clean the filter as follows:

- Pull the filter upwards.
- Remove any threads or lint by hand or with a soft brush.
- Slide the filter back.
- Wash the filter occasionally in detergent solution and remove small particles with a soft brush.

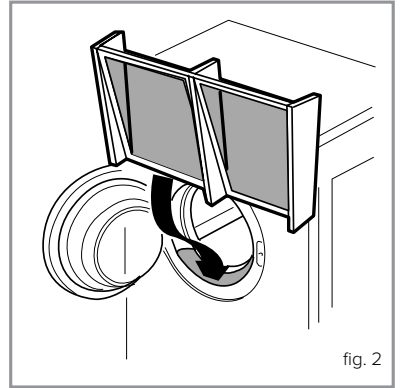


fig. 2

## Troubleshooting

If the clothes are not dry after normal drying time:

- Check that the filter is clean.
- Check that you used the correct heat setting.
- Check that the vent hose is not blocked (sometimes a strong wind may cause a back pressure).
- Check that you have not set the timer within a cool down period.

If your appliance does not work, check the following points before contacting CDA Customer Care

- Check that there is power to the appliance.
- Check that the machine is switched on and the door properly closed.
- This appliance has a resettable cut-out. Check this has not operated. Press the red button on the right hand side at the back of your dryer. If the cut-out has operated a sharp “click” will be heard. This cut-out only operates if the airflow is severely restricted so make sure the filter is clean and that all other restrictions are removed before restarting.
- Check the fuse in the moulded plug.

## Installation / Venting

This appliance is fully compatible with any 600 mm deep kitchen units and complies with stringent EEC regulations.

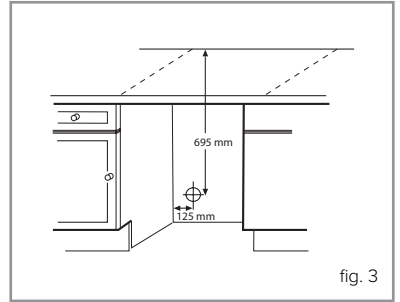
Your dryer is supplied with a vent hose which will extend to approximately 2.4m. We strongly recommend that this is vented through the wall with the attachment provided.

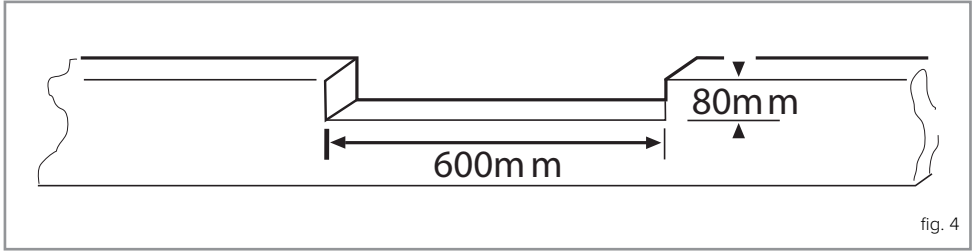
The position of the hole (100 mm diameter) for the vent directly behind the tumble dryer is shown in fig.3.

If the vent through the wall is to be positioned anywhere other than behind the dryer, the vent hose should be positioned at floor level and through an adjacent side panel to an appropriate position.

The plinth in front of the dryer must be cut out to accommodate the air vent grill located at the bottom front of the tumble dryer as shown in fig. 4.

**IMPORTANT: This tumble dryer is not suitable for use with condensing boxes such as that shown in the image to the right.**

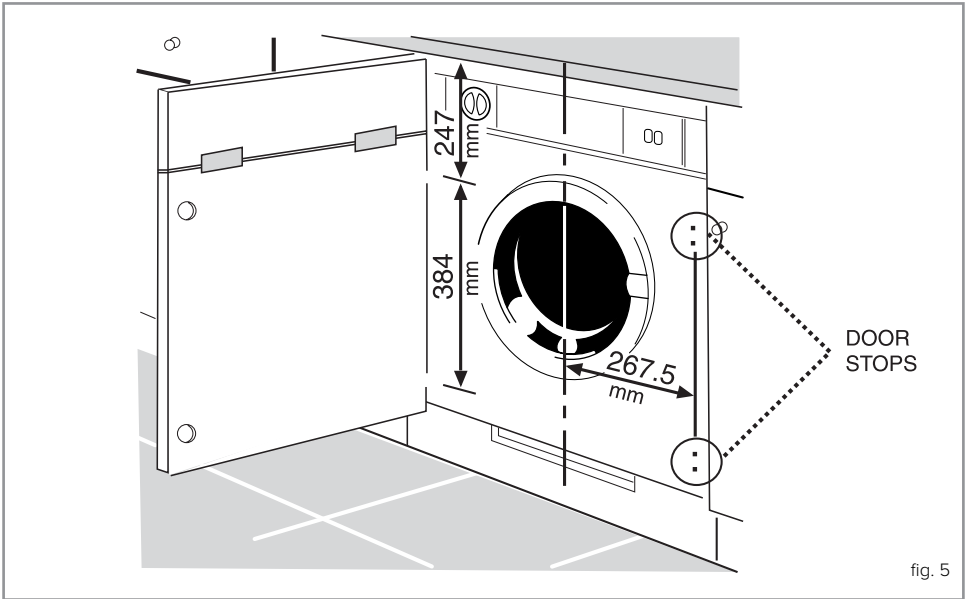




**PLEASE NOTE:** The air vent at the front of the appliance must never be covered or blocked in any way as this will impair the functioning of the appliance and could cause it to overheat.

## Fitting the Décor Door

The hinges can be fastened through predrilled holes on either the left or right hand side with the door stops being fastened to the other side.



# Reversing the Door

The door on the dryer can be positioned either with the left or right hand hinging, as shown in fig.6.

Please note: power tools must not be used when reversing the door.

How to reverse the door

Open the door

Undo screw A, remove switch strike B and replace screw A.

Remove screws C and latch plate D.

Remove hinge cover screw E.

Close the door.

Pull hinge cover F forwards to remove it.

Remove two outer screws G.

Remove door.

Fit latch plate D with screws C.

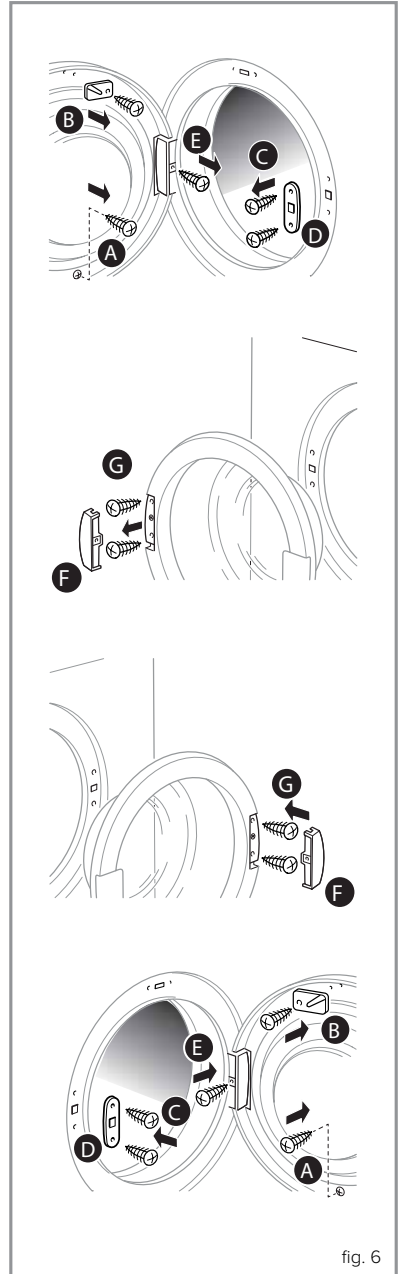
Reverse the door and fit to the dryer in the closed position.

Refit screws G and hinge cover F.

Open the door.

Fit screw E to secure hinge cover.

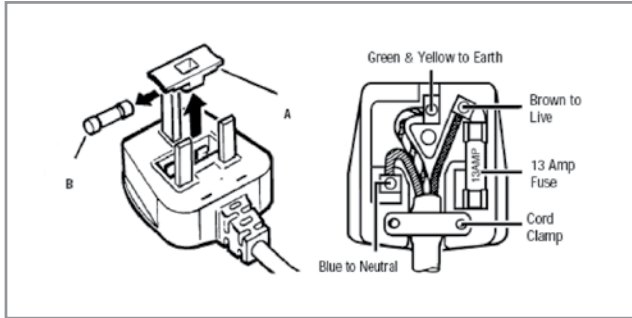
Remove screw A at the top of door and refit switch strike B as shown.





# Electrical Information

Warning! This appliance must be earthed.



The mains lead of this appliance has been fitted with a BS 1363A 13 Amp fused plug. To change a fuse in this type of plug, follow the steps below:

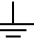
1. Remove the fuse cover and fuse.
2. Fit replacement 13A fuse, ASTA approved to BS 1362 type, into the fuse cover.
3. Replace fuse cover.

**Important:** Do not use the appliance without the fuse cover in position.

## How to connect an alternative plug

If the fitted plug is not suitable for your socket outlet, then it should be cut off and disposed of safely to prevent the risk of electric shock. A suitable alternative plug of at least 13 Amp rating to BS 1363 should be used.

As the colours of the wires in the mains lead of this appliance may not correspond with the coloured markings identifying the terminals in your plug, proceed as follows:-

- The wire which is coloured **GREEN** and **YELLOW** must be connected to the terminal which is marked with letter **(E)** or by the **Earth** symbol  or coloured **GREEN** and **YELLOW**.
- The wire which is coloured **BLUE** must be connected to the terminal which is marked with the letter **(N)**, or coloured **BLACK**.
- The wire which is coloured **BROWN** must be connected to the terminal which is marked with the letter **(L)** or coloured **RED**.

If in doubt regarding the electrical connection of this appliance, consult a qualified electrician. Do not shorten the supply cable, the appliance may require removing for servicing.

N.B. Ensure that the plug socket is situated in an easily accessible place. If the power supply cord is damaged, it must be replaced by a CDA authorised agent.

## Technical Information:

Overall dimensions :	86.5 - 89cm x 59.5cm x 53cm (height x width x depth)
Maximum dry weights:	Cotton or linen 7.0kg
Maximum dry weights:	Synthetics 7.0kg.
Fuse rating:	13A

For electrical ratings see plate on rear of machine.



Please contact our **Customer Care Department** for Service on the details below

**Customer Care Department**

The ICDAI Group Ltd. • Harby Road • Langar • Nottinghamshire • NG13 9HY  
T : 01949 862 012 F : 01949 862 003 E : customer.care@cda.eu

