



# VM452 Built-In Microwave, Grill & Conventional Oven

Installation, Use and Maintenance

# Important

This appliance must only be used for the purpose for which it is intended, i.e. domestic cooking. Any other use could be dangerous and may lead to premature failure of the appliance.

The CDA Group Ltd cannot be held responsible for injuries or losses caused by incorrect use or installation of this product. Please note that CDA reserve the right to invalidate the guarantee supplied with this product following incorrect installation or misuse of the appliance.

Under no circumstances should any external covers be removed for servicing or maintenance except by suitably qualified personnel.

This appliance is not designed to be used by people (including children) with reduced physical, sensorial or mental capacity, or who lack experience or knowledge about it, unless they have had supervision or instructions on how to use the appliance by someone who is responsible for their safety.

## Appliance information:

Please enter the details on the appliance rating plate below for reference, to assist CDA Customer Care in the event of a fault with your appliance and to register your appliance for guarantee purposes.

Appliance Model	VM452
-----------------	-------

Serial Number	
---------------	--

## **CE Declarations of Conformity:**

This oven has been designed, constructed and marketed in compliance with safety requirements of EEC Directive 2006/95/EEC (Low voltage) and requirements of EMC Directive 2004/108/EEC.

This appliance has been manufactured to the strictest standards and complies with all applicable legislation, including Electrical safety (LVD) and Electromagnetic interference compatibility (EMC). Parts intended to come into contact with food conform to EEC/89/109.4.

## **IMPORTANT INFORMATION FOR CORRECT DISPOSAL OF THE PRODUCT IN ACCORDANCE WITH EC DIRECTIVE 2002/96/EC.**

At the end of its working life, the product must not be disposed of as urban waste. It must be taken to a special local authority differentiated waste collection centre or to a dealer providing this service.

Disposing of a household appliance separately avoids possible negative consequences for the environment and health deriving from inappropriate disposal and enables the constituent materials to be recovered to obtain significant savings in energy and resources. As a reminder of the need to dispose of household appliances separately, the product is marked with a crossed-out wheeled dustbin.



## Important

- Read the user instructions carefully before using the oven for the first time.
- Follow the instructions for first use of the oven.
- Clean the oven regularly.
- Remove spills as soon as they occur.
- Always use oven gloves when removing trays from the oven.
- Do not allow children near the oven when in use.
- Children must not play with the appliance.
- Cleaning and user maintenance shall not be made by children unless they are older than 8 and supervised.
- Keep the appliance and its cable out of reach of children less than 8 years old.
- Do not allow fat or oils to build up on the grill rack or oven base.
- Do not place any cooking utensils or plates directly on the oven base.
- Always grill with the appliance door closed.
- During use the appliance becomes hot. Care should be taken to avoid touching heating elements inside the oven.
- Do not grill food containing fat without using the grill rack.
- Do not cover the grill rack or the oven walls with aluminium foil.
- Do not perform maintenance or cleaning of the oven without first switching off the electricity supply. If the oven has recently been used, allow to cool.
- Do not use abrasive cleaners or powders that will scratch the surface of the appliance.
- Do not attempt to repair the internal workings of your oven.
- Install or locate this oven only in accordance with the installation

instructions provided.

- Accessible surfaces are liable to get hot during use.
- Keep the electrical cable away from heated surfaces, and do not cover any vents on the oven.

## Important - Microwave Cooking

- Do not attempt to operate this microwave oven with the door open or ajar. It is important not to alter or tamper with the safety interlocks.
- Do not place anything between the oven front face and the door, or allow soil or cleaning residues to accumulate on sealing surfaces.
- **WARNING: If the door, door seal or interlocks are damaged, the oven must not be used until it is repaired by a suitably qualified person.**
- Liquids and other foods must not be heated in sealed containers since they are liable to explode.
- **WARNING: It is hazardous for anyone other than a competent person to carry out any service or repair operation that involves the removal of a cover which gives protection against exposure to microwave energy.**
- Only use utensils suitable for use in microwave ovens.
  - Do not use metal pans or dishes with metal handles.
  - Do not use anything with metal trim.
  - Do not use melamine dishes as they contain a material which will absorb microwave energy. This may cause the dishes to crack or char and will slow down the cooking speed.
  - Do not cook in a container with a restricted opening, such

as a carbonated drinks bottle or salad oil bottle, as they may explode if heated in a microwave oven.

- Do not use conventional meat or sugar thermometers.
- Remove wire twist-ties from bags before placing bags in the oven.
- The oven should be cleaned regularly and any food deposits should be removed.
- If smoke is emitted, switch off or unplug the appliance and keep the door closed in order to stifle any flames.
- Do not use the oven cavity for storage purposes. Do not store items, such as bread, cookies, books etc. inside the oven.
- Eggs in the shell and whole hard-boiled eggs should not be heated in microwave ovens since they may explode, even after microwave heating has ended.
- Do not cook any food surrounded by a membrane, such as egg yolks, potatoes, chicken livers, etc. without first piercing it several times with a fork.
- If the supply cable is damaged, it must be replaced by the manufacturer, its approved service agent or similarly qualified persons in order to avoid a hazard.
- Do not store or use this appliance outdoors.
- Do not use this oven near water, in a wet basement or near a swimming pool.
- Do not let the power cable hang over the edge of a table or worktop.
- Failure to maintain the oven in a clean condition could lead to deterioration of the surfaces that could adversely affect the life of the appliance and possibly result in a hazardous situation.
- Microwave heating of beverages can result in delayed eruptive

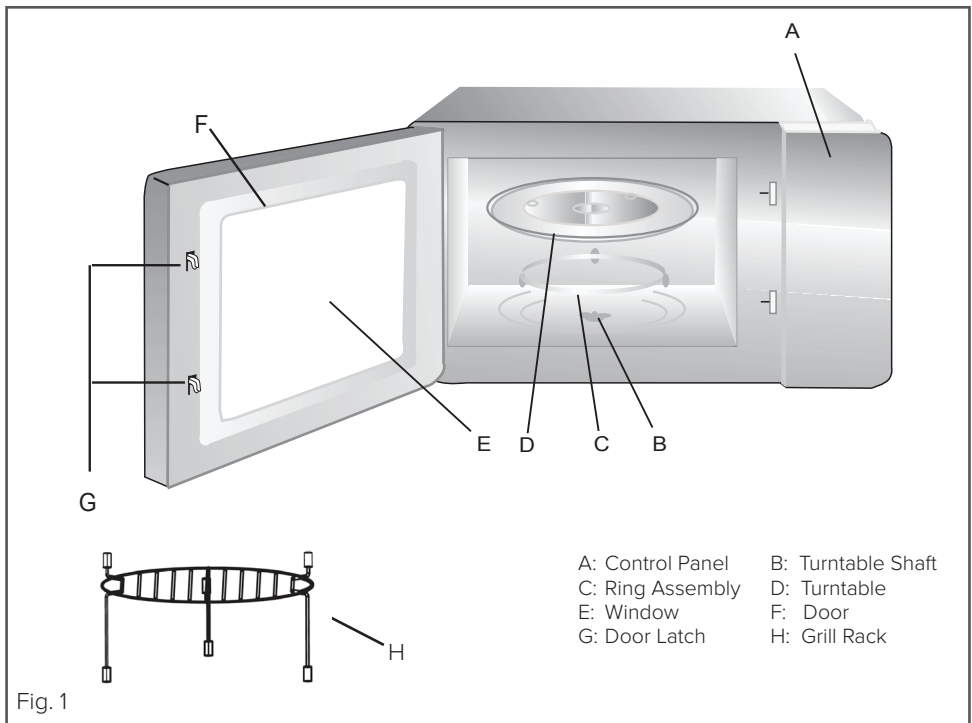
- boiling, therefore care must be taken when handling the container.
- This appliance is not intended to be operated by means of an external timer or separate remote-control system.
  - Always have the glass tray, roller arms, coupling and roller track in place when operating the microwave oven.
  - Do not use the oven for any reason other than food preparation, such as for drying clothes, paper, or any other non-food items, or for sterilizing purposes.
  - Do not operate the microwave or combination cooking functions when empty. This could damage the oven.
  - Do not insert any object into the openings on the outer case.
  - Do not at any time remove parts from the oven such as the feet, coupling, screws, etc.
  - Do not cook food directly on the glass turntable. Place food in/on proper cooking utensils before placing in the oven.
  - Do not attempt to deep-fry foods in the oven.
  - Please remember that a microwave oven only heats the liquid in a container rather than the container itself. Therefore, even though the lid of a container is not hot to the touch when removed from the oven, the food/liquid inside will be releasing the same amount of steam and/or spitting when the lid is removed as in conventional cooking.
  - Always test the temperature of cooked food yourself especially if you are heating or cooking food/liquid for babies. It is advisable never to consume food/liquid straight from the oven but allow it to stand for a few minutes and stir food/liquid to distribute heat evenly.
  - Food containing a mixture of fat and water, e.g. stock, should stand for 30-60 seconds in the oven after it has been turned off. This is

to allow the mixture to settle and to minimise the risk of eruptive boiling when a spoon is placed in the food/liquid or a stock cube is added.

- When preparing/cooking food/liquid remember that there are certain foods, e.g. Christmas puddings, jam and mincemeat, which heat up very quickly.
- When heating or cooking foods with a high fat or sugar content do not use plastic containers.
- Cooking utensils may become hot because of heat transferred from the food. This is especially true if plastic wrap has been covering the top and handles of the utensils. Oven gloves may be needed to handle the utensils.
- To reduce the risk of fire in the oven cavity:
  - Do not overcook food.
  - Watch the microwave oven carefully if paper, plastic, or other combustible materials are used inside the oven during cooking.



# Fitting Out Your Appliance



## Note:

- Never place the glass turntable upside down. The movement of the glass turntable should never be restricted.
- Both the glass turntable and the ring assembly must always be used during cooking.
- Food and containers of food must always be placed on the glass turntable for cooking.
- When grilling, the round grill rack should be placed on top of the glass turntable.

---

# First Use of the Oven

## First use

- Before using the oven for the first time we recommend that you clean it with soapy water, rinse carefully and then heat on each of these programmes at maximum temperature for the specified time.
  - 15 minutes grill
  - 60 minutes conventional oven

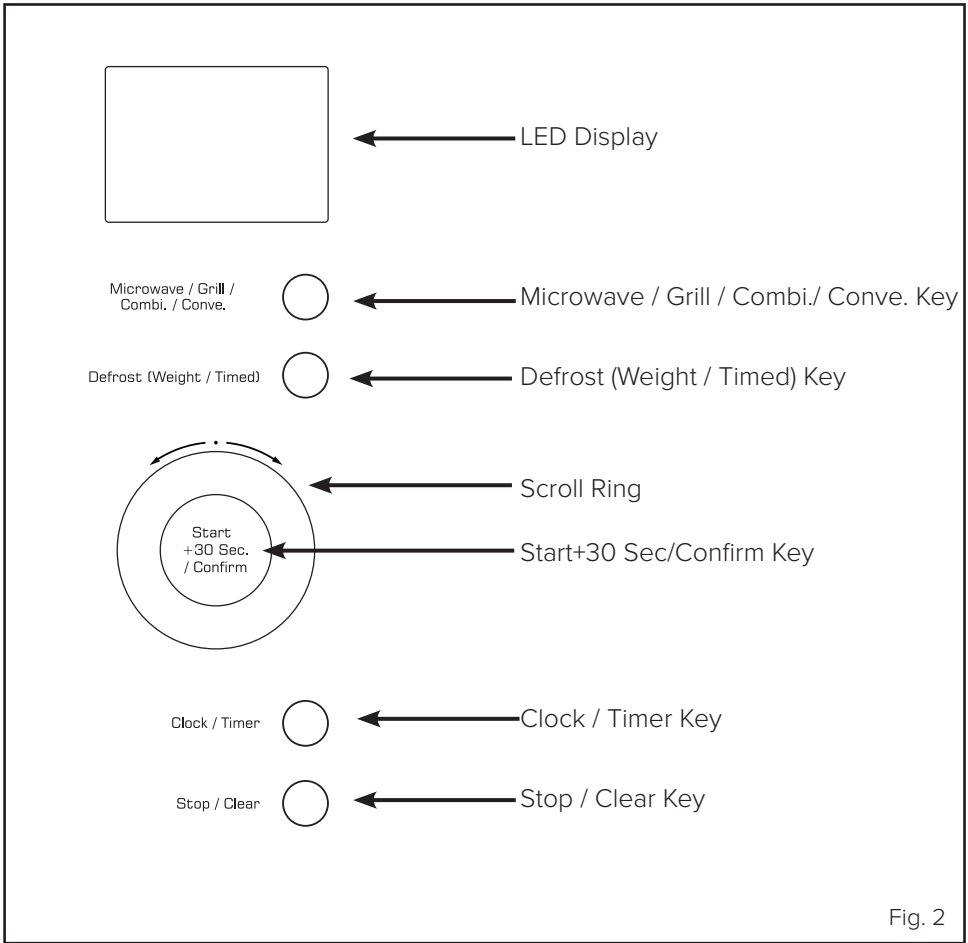
A slightly unpleasant smell may be produced, caused by grease remaining on the elements from the production process.

## Please note:

- This appliance has been fitted with a cooling fan to achieve maximum efficiency and to maintain low surface temperatures. The cooling fan will switch on automatically when the oven switches on. It is normal for the cooling fan to continue to run after use, depending on the duration, temperature and type of cooking programme used.
- The oven light remains on for every cooking function.

**When the microwave oven is first connected to the power supply the display will show “0:00” and it will sound one beep.**

# Control Panel



# Oven Controls and Use

## Setting the Clock

- Press the “Clock/Timer” key twice: The hours figure will flash.
- Slide your finger round the “Scroll Ring” in either direction to set the hours (between 0 - 23), note the appliance works in the 24hour clock format.
- Press the “Clock/Timer” key again: The minutes figure will flash.
- Slide your finger round the “Scroll Ring” in either direction to set the minutes (between 0 - 59).
- Press the “Clock/Timer” key again to finish setting the time: The “:” will flash and the time will stay lit.

## Microwave Cooking

- Press the “Microwave/Grill/Combi./Conve.” key once: The Display will show “P100”.
- Slide your finger round the “Scroll Ring” in either direction to set the power level (Alternatively, you may prefer to press the “Microwave/Grill/Combi./Conve.” key repeatedly until the required power level is shown). This can be set at 100%, 80%, 50%, 30% or 10% of full power; the display shows “P100”, “P80”, “P50”, “P30” or “P10”.
- Press the “Start+30 Sec/Confirm” button to confirm the power level.
- Slide your finger round the “Scroll Ring” in either direction to set the cooking time. This can be set between “00:05” and “95:00” minutes.
- Press the “Start+30 Sec/Confirm” button again to start cooking.

## **Grill Cooking**

- Press the “Microwave/Grill/Combi./Conve.” key once: The Display will show “P100”.
- Slide your finger round the “Scroll Ring” in either direction to select the grill function (Alternatively, you may prefer to press the “Microwave/Grill/Combi./Conve.” key repeatedly until the grill function is selected). The display shows “G”.
- Press the “Start +30 Sec/Confirm” key to confirm the grill function.
- Slide your finger round the “Scroll Ring” in either direction to set the cooking time. This can be set between “00:05” and “95:00” minutes.
- Press the “Start+30 Sec/Confirm” key again to start cooking.
- Half way through the cooking time the oven will beep twice. This is a good time to turn the food over so it grills on both sides. After turning the food over and re-closing the door press the “Start+30 Sec/Confirm” key again to continue cooking.

## **Combination Cooking**

- Press the “Microwave/Grill/Combi./Conve.” key once: The Display will show “P100”.
- Slide your finger round the “Scroll Ring” in either direction to select one of the combination functions (Alternatively, you may prefer to press the “Microwave/Grill/Combi./Conve.” key repeatedly until the required function is selected). The display shows “C-1”, “C-2”, “C-3” or “C-4” and the temperature is automatically set as the table below. The temperatures for the combination functions are not adjustable.
- Press the “Start/+30 Sec/Confirm” key to confirm the function selection. See next page for explanation of the functions.

- Slide your finger round the “Scroll Ring” in either direction to set the cooking time. This can be set between “00:05” and “95:00” minutes.
- Press the “Start+30 Sec/Confirm” key again to start cooking.

**This table shows the combinations of functions possible**

Display Shows	Temp (°C)	Microwave	Grill	Convection
C-1	155	✓		✓
C-2	155	✓	✓	
C-3	150		✓	✓
C-4	190	✓	✓	✓

**Convection Cooking (With Pre-Heat)**

This convection cooking function lets you preheat the oven before placing the food in. The microwave function is not used so this is purely conventional.

- Press the “Microwave/Grill/Combi./Conve.” key once: The Display will show “P100”.
- Slide your finger round the “Scroll Ring” in either direction to select one of the convection cooking functions (Alternatively, you may prefer to press the “Microwave/Grill/Combi./Conve.” key repeatedly until the required function is selected). **When the display shows a temperature, this indicates that convection cooking is selected.** The temperature can be set between 130°C and 220°C.
- Press the “Start/+30 Sec/Confirm” key to confirm the temperature selection.

- Press the “Start +30 Sec/Confirm” key again to start the oven preheating.
- When the oven reaches its set temperature it will beep twice and the temperature on the display will start flashing.
- Put the food in the oven and close the door.
- Slide your finger round the “Scroll Ring” in either direction to set the cooking time. This can be set between “00:05” and “95:00” minutes.
- Press the “Start +30 Sec/Confirm” key to start cooking.

**Note:**

- The cooking temperature must be reached before the cooking time can be set.
- If the cooking time is not set within 5 minutes of the oven reaching its set temperature it will beep five times and stop heating; the oven returns to its standby state.

**Convection Cooking (Without Pre-Heat)**

- Press the “Microwave/Grill/Combi./Conve.” key once: The Display will show “P100”.
- Slide your finger round the “Scroll Ring” in either direction to select one of the convection cooking functions (Alternatively, you may prefer to press the “Microwave/Grill/Combi./Conve.” key repeatedly until the required function is selected). **When the display shows a temperature, this indicates that convection cooking is selected.** The temperature can be set between 130°C and 220°C.
- Press the “Start +30 Sec/Confirm” key to confirm the temperature selection.
- Slide your finger round the “Scroll Ring” in either direction to set the cooking time. This can be set between “00:05” and “95:00”

minutes.

- Press the “Start +30 Sec/Confirm” key again to start cooking.

### **Quick Start Microwave Cooking**

There are two different quick start microwave cooking options that can be used when the oven is in standby mode:-

- Press the “Start +30 Sec/Confirm” key once and the oven will cook on 100% microwave power for 30 seconds: This cooking time can be increased in 30 second increments by repeatedly pressing the “Start +30 Sec/Confirm” key.
- Slide your finger round the “Scroll Ring” anticlockwise to set a cooking time, then press the “Start/+30 Sec/Confirm” key once and the oven will cook on 100% microwave power for the set time.

**Note: In microwave, grill, combi, conventional or defrost by time programmes, pressing the “Start +30 Sec/Confirm” button once will increase the cooking time by 30 seconds.**

### **Minute Minder**

- Press the “Clock/Timer” button once: The display will show “00:00”.
- Slide your finger round the “Scroll Ring” in either direction to set the time required.
- Press the “Start +30 Sec/Confirm” button to confirm the setting: The clock indicator will be illuminated and count down the remaining time.
- When the set time is reached, the beeper will sound 5 times then the display will revert back to showing the current time.



**Note:**

- The minute minder cannot be used at the same time as any cooking functions.

**Defrost by Weight**

- Press the “Defrost (Weight / Timed)” key once. The Display will show “dEF1”.
- Slide your finger round the “Scroll Ring” to select the weight of food, between 100g - 2000g.
- Press the “Start +30 Sec/Confirm” key to start defrosting.

**Defrost by Time**

- Press the “Defrost (Weight / Timed)” key twice. The Display will show “dEF2”.
- Slide your finger round the “Scroll Ring” in either direction to set the cooking time. This can be set between “00:05” and “95:00” minutes.
- Press the “Start +30 Sec/Confirm” button to start defrosting.

**Note:**

- The power level is set at 30% and is not adjustable for this function.
- If the weight of food is less than 200g it should be placed at the edge of the turntable and not at the centre.

## Auto Menu

- Slide your finger round the “Scroll Ring” clockwise to select a cooking menu: The menu number from “A1” to “A10” will show in the display.
- Press the “Start +30 Sec/Confirm” key to confirm the menu.
- Slide your finger round the “Scroll Ring” to select the cooking weight from the available options in the table opposite.
- Press the “Start +30 Sec/Confirm” key to start cooking.

### Note:

- When using auto-menu “A8” for cake it is best to pre-heat the oven to 180°C first.

## Programme Status

- During microwave, grill or combination cooking, the current power level can be displayed by pressing the “Microwave/Grill/Combi./Conve.” key once. The power level will be displayed for 3 seconds.
- During cooking programmes, the current time can be displayed by pressing the “Clock/Timer” key once. The time will be displayed for 3 seconds.

## Key Lock:

When the oven is in standby mode the keys can be locked to reduce the risk of accidentally switching the oven on.

- Press the “Stop/Clear” key for 3 seconds, there will be a long beep as the key lock is engaged. The locked indicator LED will light.
- To unlock the keys, press the “Stop/Clear” key for another 3 seconds, there will be a long beep as the key lock is released.

## Auto Menu Details

Menu Number	Food Type	Weight	Display Shows	Power
A1	Reheat	150g	150	100%
		250g	250	
		350g	350	
		450g	450	
		600g	600	
A2	Potato	1 (Approx. 230g)	1	100%
		2 (Approx. 460g)	2	
		3 (Approx. 690g)	3	
A3	Meat	150g	150	100%
		300g	300	
		450g	450	
		600g	600	
A4	Vegetables	150g	150	100%
		350g	350	
		500g	500	
A5	Fish	150g	150	80%
		250g	250	
		350g	350	
		450g	450	
		650g	650	
A6	Pasta	50g (plus 450ml cold water)	50	80%
		100g (plus 800ml cold water)	100	
		150g (plus 1200ml cold water)	150	
A7	Soup	200ml	200	100%
		400ml	400	
		600ml	600	
A8	Cake	475g	475	180°C
A9	Pizza	200g	200	Combination C-4
		300g	300	
		400g	400	
A10	Chicken	500g	500	Combination C-4
		750g	750	
		1000g	1000	
		1200g	1200	

---

# Care and Maintenance

## **IMPORTANT**

**There are no user serviceable parts in this appliance. It is dangerous for anyone other than a qualified person to perform maintenance or repair that requires the removal of any cover as these provide protection against exposure to microwave power and extremely high voltages.**

### **The oven exterior**

As the oven has a stainless steel surface, you should use a nonabrasive cleaner. Any abrasive cleaner (including Cif) will scratch the surface and could erase the control panel markings. Stainless steel can be effectively cleaned by simply using a dilute solution of water and mild detergent and drying to a shine with a clean cloth.

Proprietary stainless steel cleaners are available. We recommend the CDA E-Cloth available from the CDA Sales Team for cleaning stainless steel surfaces as this has been designed to prolong the finish of your appliance.

### **Inside of Oven**

The oven should always be cleaned after use when it has cooled down.

The cavity should be cleaned using a mild detergent solution and warm water.

## **IMPORTANT:**

- **Steam cleaners must not be used when cleaning this appliance.**
- **Once care and maintenance is complete, ensure that all parts are correctly replaced before using the oven.**

**When correctly installed, your product meets all safety requirements laid down for this type of product. However, special care should be taken around the rear or the underneath of the appliance as these areas are not designed or intended to be touched and may contain sharp or rough edges that could cause injury.**

### **If your appliance is not working:**

1. Check that it is switched on.
2. Check that the mains supply has not been switched off.
3. Check that the fuse in the spur has not blown.

In the event of a fault with the appliance, please advise CDA Customer Care of any fault code shown on the display

### **Contact CDA Customer Care**

**A** : Customer Care Department, The CDA Group Ltd, Harby Road, Langar, Nottinghamshire, NG13 9HY

**T** : 01949 862 012 **F** : 01949 862 003

**E** : [customer.care@cda.eu](mailto:customer.care@cda.eu) **W** : [www.cda.eu](http://www.cda.eu)

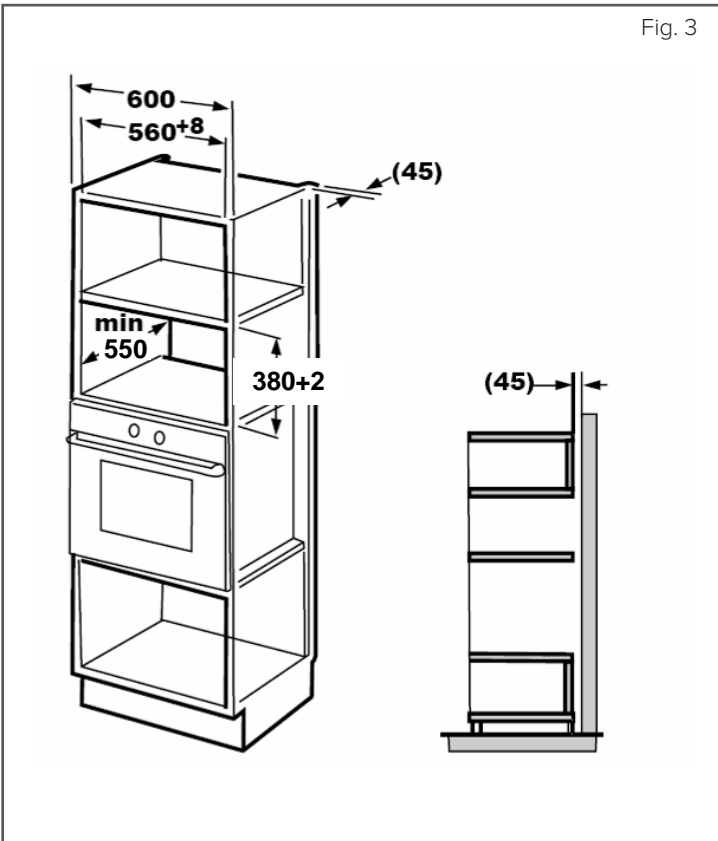
# Troubleshooting

You observe that	Possible Causes	What should you do?
Microwave oven interfering with TV	This is a normal feature of microwave energy.	Relocate TV or aerial to improve reception.
Oven light dim.	In low power microwave cooking the light may dim a little.	This is normal.
Steam condensing on door / hot air expelled from outlets.	Normal heat generated from the cooking process.	This is normal.
The oven cannot be started	Power cable not fully plugged in.	Unplug, wait 10 seconds then plug in again.
	Blown fuse in the plug.	Check fuse in the plug, if fault persists unplug the machine and contact CDA Customer Care.
	Faulty power supply to the socket.	Check the socket by plugging in an other appliance, if fault persists unplug the machine and contact CDA Customer Care.
Microwave oven does not heat.	Door not closed properly.	Open and close the door then try again, if fault persists unplug the machine and contact CDA Customer Care.

# Installation

## Important

- The appliance should be installed in a tall unit (open at the rear) with the appropriate dimensions for recessed installation. (Fig. 3).
- Blocking the intake and/or outlet openings can damage the oven.
- Place the oven as far away from radios and TV's as possible.  
Operation of the microwave oven may cause interference to your radio or TV reception.



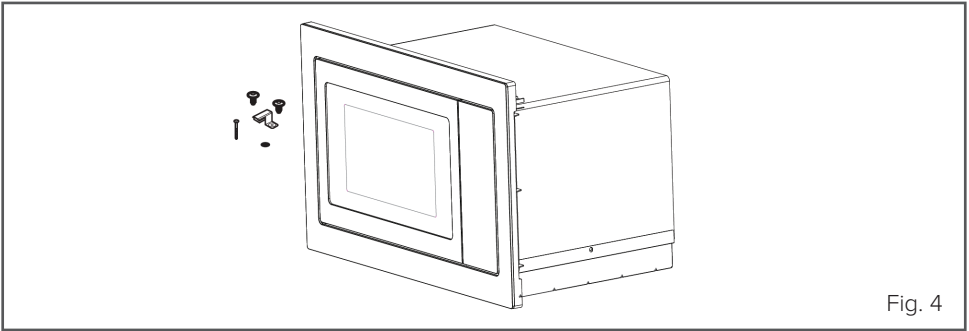


Fig. 4

- Use the supplied template to mark out the 2 holes for the rear fixing bracket on the centre line of the tall cabinet.
- Remove the template and fix the bracket with the 2 screws supplied.

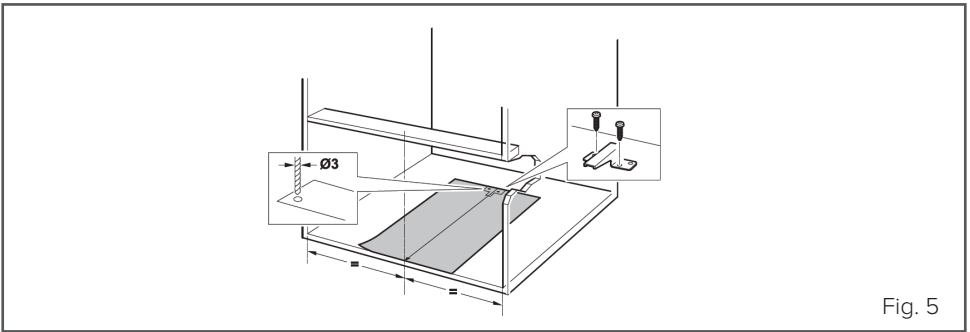


Fig. 5

- Slide the appliance into the cabinet so the fixing bracket engages in the slot in the appliance back panel.
- Take care not to trap the power cable.

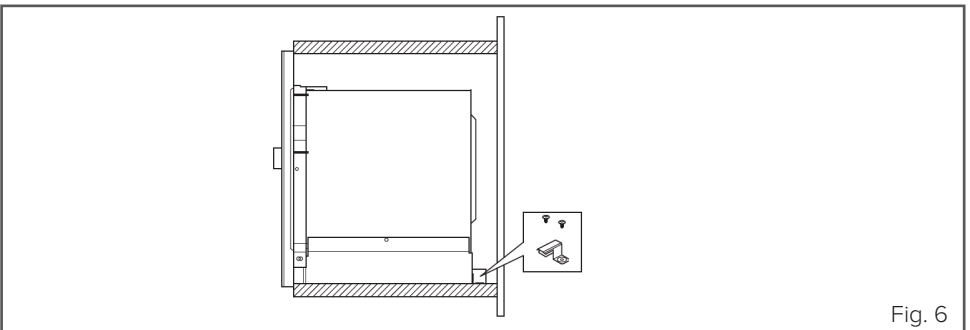
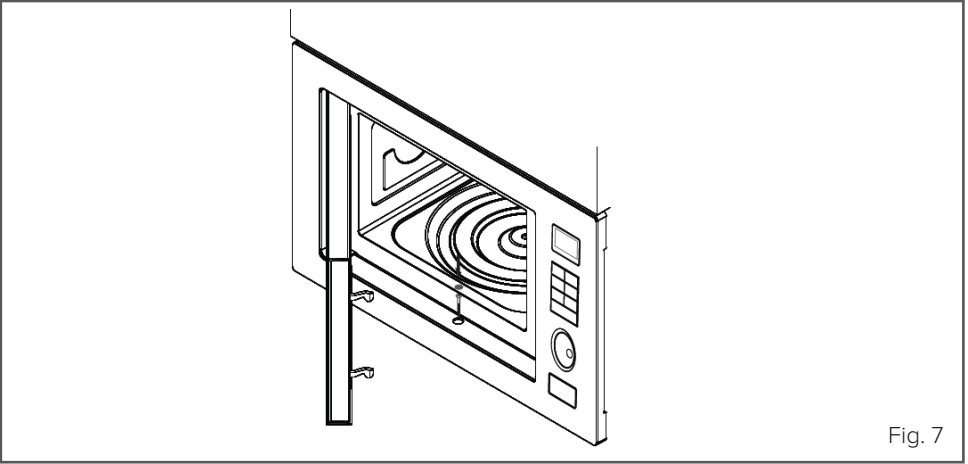


Fig. 6

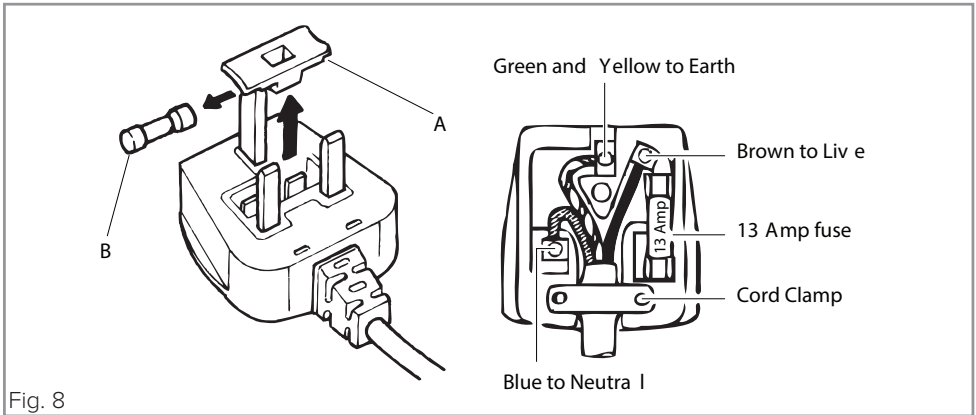


- Open the appliance door and fix the appliance in position using the supplied screw in the installation hole.
- Complete the installation by fixing the circular plastic trim piece over the installation hole.



# Electrical Information

**Warning! This appliance must be earthed.**



The mains lead of this appliance has been fitted with a BS 1363A 13 Amp fused plug. To change a fuse in this type of plug, follow the steps below:

1. Remove the fuse cover and fuse.
2. Fit replacement 13A fuse, ASTA approved to BS 1362 type, into the fuse cover.
3. Replace fuse cover.

**Important: Do not use the appliance without the fuse cover in position.**

## How to connect an alternative plug

If the fitted plug is not suitable for your socket outlet, then it should be cut off and disposed of safely to avoid possible shock hazard. A suitable alternative plug of at least 13 Amp rating to BS 1363 should be used.

As the colours of the wires in the mains lead of this appliance may not correspond with the coloured markings identifying the terminals in your plug, proceed as follows:-

- The wire which is coloured GREEN and YELLOW must be connected to the terminal which is marked with letter (E) or by the Earth symbol  $\perp$  or coloured GREEN and YELLOW.
- The wire which is coloured BLUE must be connected to the terminal which is marked with the letter (N) or coloured BLACK.
- The wire which is coloured BROWN must be connected to the terminal which is marked with the letter (L) or coloured RED.

If in doubt regarding the electrical connection of this appliance, consult a qualified electrician. Do not shorten the supply cable, the appliance may require removing for servicing.

**N.B. Ensure that the plug socket is situated in an easily accessible place after installation.**



Please contact our **Customer Care Department** for Service on the details below

**Customer Care Department**

The CDA Group Ltd. • Harby Road • Langar • Nottinghamshire • NG13 9HY  
T : 01949 862 012 F : 01949 862 003 E : customer.care@cda.eu

