

CI560

Freestanding Condenser Dryer

Installation, Use and Maintenance

The logo for CDA, consisting of the letters 'C', 'D', and 'A' in a bold, red, serif font, each enclosed within a thin white vertical line, all set against a black rectangular background.

User Information

The room must be adequately ventilated to avoid the back-flow of gases into the room from appliances burning gas or any other fuels. This includes open fires.

It is important to clean the lint filter after each drying cycle. Items that have been soiled with substances such as cooking oil, acetone, alcohol, petrol, kerosene, spot removers, turpentine, waxes and wax removers should be washed in hot water with an extra amount of detergent before being dried in the tumble dryer.

Fabric softeners, or similar products, should be used as specified by the fabric softener instructions.

Remove all objects from pockets such as lighters and matches.

We recommend that the appliance is switched off each time after use. It should be disconnected from the electricity supply if it is to be unattended for long periods, (i.e. weekends or holiday etc).

Do not

- Overload the dryer.
- Dry articles singly as they tend to roll up and so increase drying time.
- Dry anything other than the recommended articles in the tumble dryer. These can cause fires.
- Place articles which have been in contact with dry

cleaning fluid, petrol, cooking oil, fat, hair lacquer or other flammable substances in the tumble dryer.

- Attempt to dry dripping wet articles.
- Dry unwashed items in the tumble dryer.
- Dry wool or wool mixture articles unless the article is labelled as suitable. This should avoid shrinkage.
- Put items such as foam rubber (latex foam), shower caps, waterproof textiles, rubber backed articles and clothes or pillows fitted with foam rubber pads in the tumble dryer.
- Exhaust air into a flue which is used for exhausting fumes from appliances burning gas or other fuels.
- Allow the vent hose (where applicable) or filter to become blocked.
- Allow lint to accumulate around the tumble dryer.
- Use a two-way or multi-way adapter, or extension lead. The dryer must be connected to its own individual socket.
- Use the tumble dryer if you suspect that it is damaged in anyway.

Never switch the dryer off and leave a hot load in the drum – risk of fire.

WARNING: Never stop a tumble dryer before the end of a drying cycle unless all items are quickly removed and spread out so the heat is dissipated.



This label positioned on the rear of your dryer, indicates the surface is hot when in operation – avoid touching.

Important

This appliance must only be used for the purpose for which it is intended, i.e. domestic use. Any other use could be dangerous and may lead to premature failure of the appliance.

The CDA Group Ltd cannot be held responsible for injuries or losses caused by incorrect use or installation of this product. Please note that CDA reserve the right to invalidate the guarantee supplied with this product following incorrect installation or misuse of the appliance.

This appliance can be used by children aged from 8 years and above and persons with reduced physical, sensory or mental capabilities or lack of experience and knowledge if they have been given supervision or instruction concerning use of the appliance in a safe way and understand the hazards involved. Children shall not play with the appliance. Cleaning and user maintenance shall not be made by children without supervision.

Under no circumstances should any external covers be removed for servicing or maintenance except by suitably qualified personnel.

Appliance information:

Please enter the details on the appliance rating plate below for reference, to assist CDA Customer Care in the event of a fault with your appliance and to register your appliance for guarantee purposes.


Appliance Model	
Serial Number	

CE Declarations of Conformity:

This appliance has been designed, constructed and marketed in compliance with safety requirements of EEC Directives 2006/95/EEC, 2014/35/EU (Low voltage) and requirements of EMC Directives 2004/108/EEC, 2014/30/EU.

IMPORTANT INFORMATION FOR CORRECT DISPOSAL OF THE PRODUCT IN ACCORDANCE WITH EC DIRECTIVE 2002/96/EC.

At the end of its working life, the product must not be disposed of as urban waste. It must be taken to a special local authority differentiated waste collection centre or to a dealer providing this service.

Disposing of a household appliance separately avoids possible negative consequences for the environment and health deriving from inappropriate disposal and enables the constituent materials to be recovered to obtain significant savings in energy and resources. As a reminder of the need to dispose of household appliances separately, the product is marked with a crossed-out wheeled dustbin. 

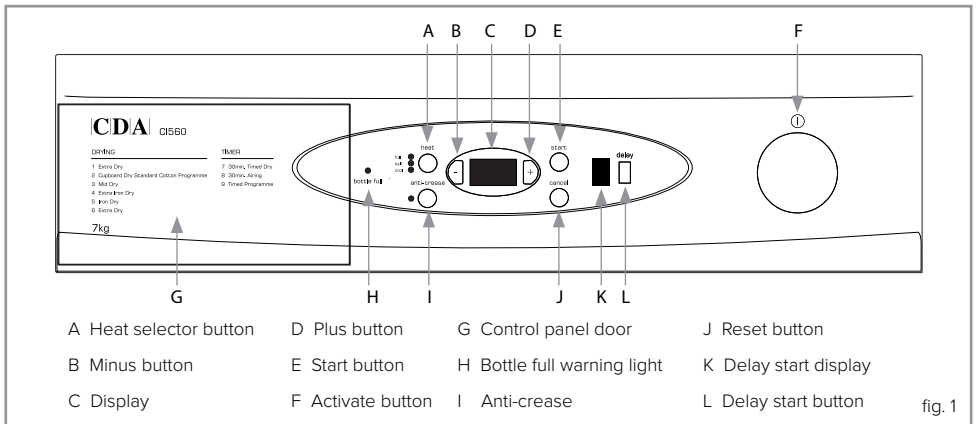
Before First Use

Open the control panel door, remove the water bottle and then replace it in position ensuring that it is pushed in firmly.

Open the dryer door and push the filter into its operating position.

Remove any dust by wiping the drum and door with a damp cloth. Any initial smell of burning will be caused by dust on the heater and will quickly disappear.

Use And Controls



A Heat selector button

The tumble dryer is equipped with three different temperature options:

- Full heat for fabrics insensitive to higher temperatures, such as cottons and linens.
- Half heat for temperature sensitive fabrics, such as delicates and synthetics.
- Cool freshens the clothes without applying any heat.

B Minus button

The minus button reduces the programme number or programme time.

C Display

The display shows the programme number or drying time when programme 9 is selected.

D Plus button

The plus button increases the programme number or programme time.

E Start button

The start button starts the programme.

F Activate button

The activate button should be pressed to power on the dryer. If no further buttons are pressed within 60 seconds, the dryer will go into sleep mode. To reactivate, press the activate button again.

G Control panel door

The water bottle is housed behind the control panel door, which can be pressed to open and close.

H Bottle full warning light

This light is illuminated when the water bottle is full and requires emptying.

I Anti-crease button

The tumble dryer is equipped with an anti-crease function to prevent the load creasing by regularly turning the drum when the programme has finished. When the anti-crease function is selected, the anti-crease light illuminates, and will flash when the anti-crease function is active.

J Reset button

The reset button resets the dryer programmes to the default setting. To return to programme selection after programme 9 has been used, press the reset button.

K Delay start display

L Delay start button

Programme Chart

Programmes “1”-“7” and “9” can be operated on either full heat or half heat setting and include a 12 minute cool-down period at the end of the cycle.

Programme “8” operates without the heater (regardless of the heat switch setting), circulating air through the dryer at the ambient temperature.

Please note: the use of an iron dry programme will use 30% less energy than a cupboard dry programme.

Programme number	Programme	Description
1	Extra dry	Clothes are dry enough to be put away.
2	Cupboard dry	Clothes are dry enough to be put away.
2	Standard cotton programme	Clothes are dry enough to be put away.
3	Mid dry	Clothes are generally dry enough to be put away, depending upon fabric.
4	Extra iron dry	Clothes are almost dry but can be easily ironed.
5	Iron dry	Clothes are slightly damp and ready to be ironed.
6	Damp dry	Clothes are damp and ready to be ironed.
7	30 min dry	30 minute timed drying programme.
8	30 min airing	30 minute timed 'airing' programme which is useful for freshening up clothing.
9	Timed programme	Programme can be set between 10 and 180 minutes, on either full or half heat settings.

Delay start

The dryer is equipped with a variable delay start timer of up to 9 hours duration at hourly intervals.

To set the delay timer, first select the programme, heat setting and required duration (if applicable) and then press the “Delay Timer” button. This will switch the timer on for one hour, which will show on the “Delay Start” display. To change the delay duration, press the “Delay Timer” button again until the required delay duration is shown on the display. Then press the programme “Start” button to start the countdown.

To cancel the “Delay Timer” before the countdown has started, press the “Reset” button.

To cancel “Delay Start” once the countdown has started, open the dryer door.

To Run a Programme

For energy labelling purposes (EN61121:2005) for a cotton dry load, use the maximum load weight for cotton and set the timer to the recommended drying time for cotton dry as specified on the control panel.

The standard cotton programme is suitable to dry normal wet cotton laundry. It is the most efficient programme in terms of energy consumption for drying wet cotton laundry.

Your appliance is a reversing large door opening condenser dryer; as such, a full load will typically take 126 minutes and will use approximately 4.67kWh of electricity. A half load will typically take 77 minutes and will use approximately 2.64kWh of electricity.

The power consumption of the off-mode and the left-on mode is zero.

- Sort the clothes into groups of similar fabrics and colours. Check the care label inside the garment. We suggest that a fabric conditioner be used to reduce static electricity. Delicate articles e.g. tights should be placed inside a pillowcase, or similar. It is better to dry small and large articles together.
- Open the door.
- Load clothes loosely into the drum. Load sheets first, starting with one corner.
- Close the door.
- Dry your hands.

- Press the “Activate” button. The display will illuminate. The dryer will automatically remember the programme and heat setting last used. To change the programme use the “-” or “+” buttons on either side of the display window.
- **Please note:** If no other button is pressed within one minute of pressing the “Activate” button, the dryer will enter sleep mode. To reactivate, press the “Activate” button again.
- Change the heat setting if required.
- If the “Timer” programme (programme “9”) has been selected press the coloured “Start” button. A default of 120 minutes will appear in the display window. Use the “-” or “+” buttons to adjust the drying time for your laundry between 10 and 180 minutes. Holding the button down will rapidly change the time selected.
- Press the coloured “Start” button to commence the drying cycle. The drum will begin rotating and will stop automatically when your clothes are dry or the timed cycle has finished. An audible alert will sound to indicate that the drying cycle has finished.
- Select the “Anti-Crease” function if required. If you have selected the “Anti-Crease” function, the drum will continue to turn periodically for up to 8 hours or until the dryer is stopped by opening the dryer door, or by disconnecting the dryer from the mains.
- If the door is opened during a cycle the dryer will stop. To restart, close the door and press the “Activate” button, then press the coloured “Start” button.
- There is an automatic 12 minute cool down period at the end of each cycle, during which the heater is switched off and the green “Cool” indicator is on. This helps to minimise creasing, and must always be used fully to avoid the risk of fire.




Should the clothes dry before the cycle has finished the thermostat will automatically switch off the heater to prevent over drying and save energy, although the drum will still rotate.

When drying large items such as sheets, we suggest you stop the dryer to redistribute the load.

To stop the machine during the middle of a programme, open the door: The drum will stop rotating automatically and reset when you close the door.

To restart the programme, press “Activate” and then the “Start” button. The final part of the drying cycle occurs without heat (cool down cycle) to ensure that the items will not be damaged.

Care labels you may find on your fabrics

	'Suitable for tumble drying'
	'Do not tumble dry'
	'Dry flat'

Emptying the Water Bottle

When the dryer is configured to drain to the internal water bottle, it must be emptied periodically. The warning light on the control panel will illuminate when the bottle is full.

To empty the water bottle:

- Open the control panel door, remove the water bottle and empty it into a suitable drain.
- Replace the water bottle into its housing, ensuring that it is pushed all the way in, otherwise the dryer will turn but the heat will not operate.

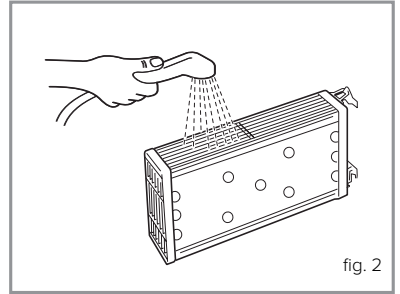
Please note: If the dryer is configured to drain to the household waste pipe there is no need to empty the water bottle periodically. The water bottle must be correctly fitted into its housing to allow the dryer to operate correctly.

Cleaning the Condenser

The condenser and ducting should be cleaned monthly or more frequently if the dryer is in constant use.

CAUTION: For maximum efficiency, the plates are made from very thin aluminium and are easily damaged. Do not try to poke anything between the plates or use a hard object or tool for cleaning. Handle the condenser carefully at all times to avoid crushing the plates.

- Firmly pull the condenser using the handle to remove it from the dryer.
- Rinse between the plates under a tap or with running water to remove any lint or fluff.
- Carefully shake any excess water from the condenser.



- Whilst the condenser is removed, clean as much fluff as possible from inside the ducting by reaching a hand into the machine. In particular, keep the passage from the fan clear (on the right hand side of the condenser duct).
- Carefully push the condenser back into its housing, until it is pushed fully home and a “click” is heard.

Please note:

All lint and fluff must be removed from around the seals before replacing the condenser into its housing or water may leak.

The dryer may leak if the condenser is not correctly re-installed.

The condenser will discolour through use. This is normal and does not constitute a fault.

Care and Maintenance

Cleaning The Filter

The filter is found by opening the door (fig.3.) and must always be in position when drying items in the appliance.

To allow the dryer to operate efficiently the filter should be cleaned after each drying cycle.

Do not be alarmed by the amount of lint deposited on the mesh. It is not due to excessive wear caused by the dryer but more an indication of its efficient operation. All fabric loses lint when drying but it goes unnoticed into the air. In a tumble dryer it simply collects in the filter.

After removing the dried clothes, clean the filter as follows:

- Pull the filter upwards.
- Remove any threads or lint by hand or with a soft brush.
- Slide the filter back.
- Wash the filter occasionally in detergent solution and remove small particles with a soft brush.

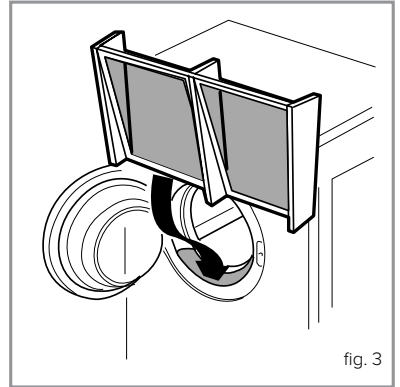


fig. 3

Troubleshooting

If the clothes are not dry after the normal drying time:

- Check that the filter is clean. A blocked filter will restrict the airflow.
- Check that you used the correct heat setting and did not overload the dryer.
- Check that the condenser unit and associated duct work are clean. If blocked, these will restrict the airflow.
- Check that your dryer is heating - the area below the door should feel warm to the touch after the first 10-15 minutes of its programme.
- Check that the bottle full warning light is off. If it is on then the bottle may be full or incorrectly fitted.

If your appliance does not work, check the following points before contacting CDA Customer Care:

- Check that there is power to the appliance.
- Check that the machine is switched on and the door is properly closed.
- Check that the “Activate” button has been pressed and that the display is illuminated.
- Check that the water bottle has been withdrawn from, and replaced into, the machine. The bottle “Full” warning light should be off.
- This appliance has a resettable cut-out. Check this has not been activated. Press the red button on the right hand side at the back of your dryer. If the cut-out has been activated a “click” will be heard. This cut-out only operates if the airflow is severely restricted so make sure the filter is clean and that all other restrictions are removed before restarting.
- Check the fuse in the moulded plug.

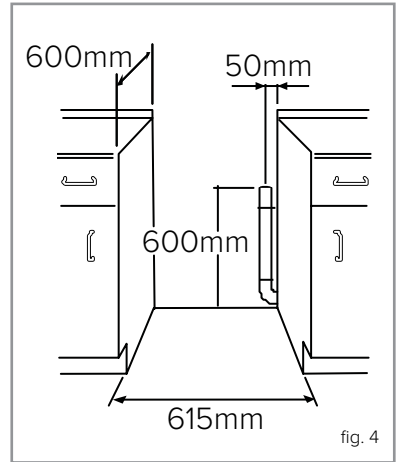
Installation

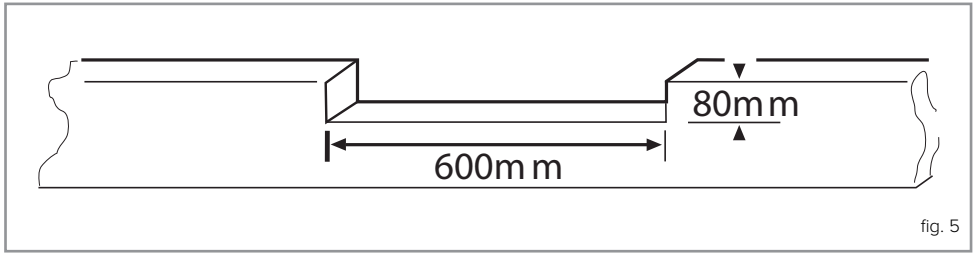
This appliance is fully compatible with any 600mm deep kitchen units and complies with stringent EEC regulations.

The illustration shows the minimum space required by the dryer and the position of the waste-pipe within this space and behind the dryer. If a trap is fitted it must not obstruct the air inlet at the back of the dryer. The waste pipe can be positioned on either side of the dryer.

If the waste pipe is to be used by the dryer and a washing machine then its diameter must be large enough to contain both hoses - 1.5" bore (38mm) minimum.

The plinth in front of the dryer must be cut out to accommodate the air vent grill located at the bottom front of the tumble dryer as shown in fig. 5.





PLEASE NOTE: The air vent at the front of the appliance must never be covered or blocked in any way as this will impair the functioning of the appliance and could cause it to overheat.

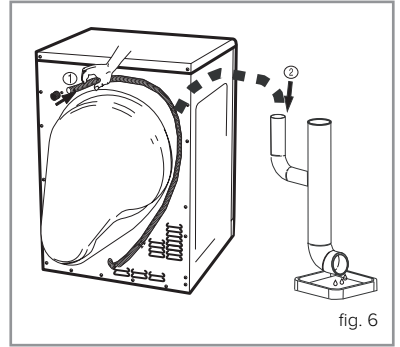
Drainage Options

This condenser dryer is fitted with an internal drain pump, which gives you the option of being able to drain condensed water into the water bottle, or to the household waste pipe. Connecting your dryer to the household waste pipe will remove the periodic need to empty the water bottle. As supplied, the dryer will drain the water into its bottle.

If you wish to convert the dryer so that the condensed water is diverted to a household waste pipe, follow the steps below:

1. Pull the drain hose from the valve at the top rear of the unit.
2. Fit the drain hose into the household waste pipe, ensuring a gap between the end of the hose and any water in the waste pipe.

To revert back to draining the condensed water to the water bottle, simply fit the drain hose back to the valve at the top of your dryer.



How to Reverse the Door

Open the door.

1. Turn the red switch strike 90° anticlockwise and then remove it.
2. Remove the four screws on the opposite side from the door hinge.
3. Holding the door in position to prevent damage, remove the four hinge screws.
4. Turn the door 180° clockwise.
5. Holding the door in position to prevent damage, replace the four hinge screws.
6. Replace the four screws on the opposite side from the door hinge.
7. Insert the red switch strike into the housing at the top of the door and turn 90° clockwise to secure it.

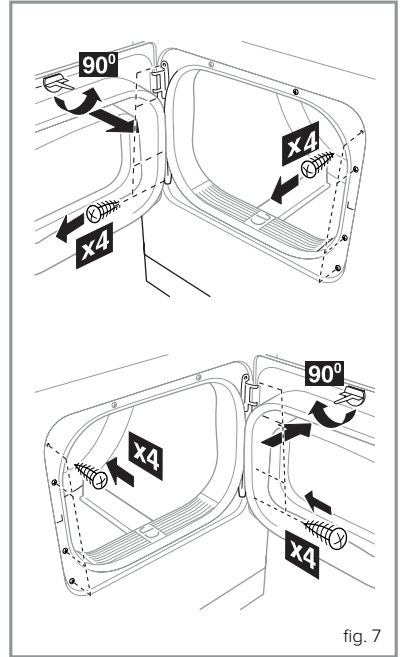
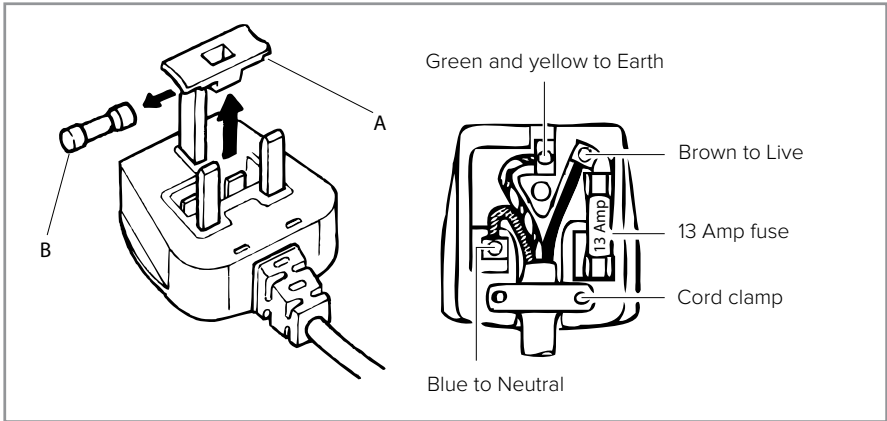


fig. 7

Electrical Information

Warning! This appliance must be earthed.



The mains lead of this appliance has been fitted with a BS 1363A 13 amp fused plug. To change a fuse in this type of plug, follow the steps below:

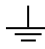
1. Remove the fuse cover and fuse.
2. Fit replacement 13A fuse, ASTA approved to BS 1362 type, into the fuse cover.
3. Replace fuse cover.

Important: Do not use the appliance without the fuse cover in position.

How to connect an alternative plug

If the fitted plug is not suitable for your socket outlet, then it should be cut off and disposed of safely to prevent the risk of electric shock. A suitable alternative plug of at least 13 Amp rating to BS 1363 should be used.

As the colours of the wires in the mains lead of this appliance may not correspond with the coloured markings identifying the terminals in your plug, proceed as follows:-

- The wire which is coloured **GREEN** and **YELLOW** must be connected to the terminal which is marked with the letter **(E)** or by the **Earth** symbol  or coloured **GREEN** and **YELLOW**.
- The wire which is coloured **BLUE** must be connected to the terminal which is marked with the letter **(N)** or coloured **BLACK**.
- The wire which is coloured **BROWN** must be connected to the terminal which is marked with the letter **(L)** or coloured **RED**.

If in doubt regarding the electrical connection of this appliance, consult a qualified electrician. Do not shorten the supply cable, the appliance may require removing for servicing.

N.B. Ensure that the plug socket is situated in an easily accessible place. If the power supply cord is damaged, it must be replaced by a CDA authorised agent.

Technical Information:

Overall dimensions :	86.5 - 89 cm x 59.5 cm x 53 cm (height x width x depth)
Maximum dry weights:	Cotton or linen 7.0 kg
Maximum dry weights:	Synthetics 7.0kg
Fuse rating:	13 A

For electrical ratings see plate on rear of machine.

Suppliers name or trade mark	CDA
Model identifier	CI560
Rated capacity at full load	7kg
Appliance type	Condenser
Energy efficiency class	C
Energy consumption of the appliance*	561kWh
The figure above is based on 160 drying cycles of the standard cotton programme at full and partial load and the consumption of the low-power modes. Actual energy consumption per cycle will depend on how the appliance is used.	
Automatic/non-automatic	Automatic
EU Ecolabel	N/A
E_{dry}	4.67kWh
$E_{dry\frac{1}{2}}$	2.64kWh
Eg_{dry}	N/A
$Eg_{dry\frac{1}{2}}$	N/A
$Eg_{dry,a}$	N/A
$Eg_{dry\frac{1}{2},a}$	N/A
Off mode power (P_o)	0W
Left on mode power (P_l)	0W
Duration of left-on mode	N/A
The standard cotton programme used at full and partial load is the standard drying programme to which the information in the label and the fiche relates. This programme is suitable for drying normal wet cotton laundry. It is the most efficient programme in terms of energy consumption for cotton.	
T_t	98mins
T_{dry}	126mins
$T_{dry\frac{1}{2}}$	77mins
Condensing efficiency class	D
C_t	70%
C_{dry}	71%
$C_{dry\frac{1}{2}}$	70%
Sound power level	72dBA
Built in/not built in	This appliance is not intended to be built in.

E & O E. All instructions, dimensions and illustrations are provided for guidance only. CDA reserve the right to change specifications without prior notice.

4213 194 11983



Please contact our **Customer Care Department** for Service on the details below

Customer Care Department

The ICDAI Group Ltd. • Harby Road • Langar • Nottinghamshire • NG13 9HY
T : 01949 862 012 F : 01949 862 003 E : customer.care@cda.eu

