

VW601 Grill

Drawer

Installation, Use and Maintenance



Important Safety Information

This appliance must only be used for the purpose for which it is intended, i.e. warming crockery and grilling food. Any other use could be dangerous and may lead to premature failure of the appliance.

This appliance can be used by children aged from 8 years and above and persons with reduced physical, sensory or mental capabilities or lack of experience and knowledge if they have been given supervision or instruction concerning use of the appliance in a safe way and understand the hazards involved.

Under no circumstances should any external covers be removed for servicing or maintenance except by suitably qualified personnel.

User information:

- Grill drawers become hot during and immediately after use. Take care not to touch any of the internal components.
- The drawer may become hot during operation.
- After use, please ensure that the switches are in the 'Off' position.
- Keep children away from the appliance when in use, and immediately after use.
- Keep the drawer closed whilst grilling.

Appliance information:

Please enter the details on the appliance rating plate below for reference, to assist CDA Customer Care in the event of a fault with your appliance and to register your appliance for guarantee purposes.


Appliance Model	
Serial Number	

CE Declarations of Conformity:

This appliance has been designed, constructed and marketed in compliance with safety requirements of Directive 73/23/CEE modified by directive 93/68/CEE for attribution of CE approval (Low voltage) and requirements of EMC Directive 89/336/CEE modified by directive 93/68/CEE for attribution of CE approval.

IMPORTANT INFORMATION FOR CORRECT DISPOSAL OF THE PRODUCT IN ACCORDANCE WITH EC DIRECTIVE 2002/96/EC.

At the end of its working life, the product must not be disposed of as urban waste. It must be taken to a special local authority differentiated waste collection centre or to a dealer providing this service.

Disposing of a household appliance separately avoids possible negative consequences for the environment and health deriving from inappropriate disposal and enables the constituent materials to be recovered to obtain significant savings in energy and resources. As a reminder of the need to dispose of household appliances separately, the product is marked with a crossed-out wheeled dustbin. 

Important

- Do not rest or sit on the drawer when open, as this will damage the telescopic runners.
- The maximum capacity of the drawer is 15 kg.
- **Do not cover the bottom of the drawer with aluminium foil or other objects. Use only the supplied grill pan and trivet.**
- Never pour water directly into the drawer.
- Do not use this appliance for heating liquids
- To avoid scratching, do not use sharp utensils in the drawer.
- Use suitable containers or crockery.
- Residual condensation could eventually damage the grill drawer and surrounding cabinets. It is advisable to dry any wet parts when the drawer is cold.
- Do not store plastic or flammable objects in the drawer.
- We recommend the use of oven gloves or adequate protection when removing items from the drawer.
- Never insert objects (e.g. screwdrivers, sharp objects, papers, etc.) into the heating element and ventilation slots.
- Children should be supervised to ensure that they do not play with the appliance.
- Cleaning and user maintenance shall not be made by children without supervision.

THE MANUFACTURER DECLINES ALL RESPONSIBILITY FOR EVENTUAL DAMAGES CAUSED BY FAILURE TO OBSERVE THESE INSTRUCTIONS.

Before First Use

Before using the drawer for the first time we recommend that you Preheat the empty drawer for thirty minutes with the temperature control at the six O'clock position. A slightly unpleasant smell may be produced, caused by grease remaining on the heating element from the production process.

- Read the user instructions carefully before using the drawer for the first time.
- Follow the instructions for first use.
- Clean the drawer regularly.
- Remove spills as soon as they occur.
- Always use oven gloves when removing shelves and trays from the drawer.
- Do not allow children near the drawer when in use.
- Do not allow fat or oils to build up on the grill pan or drawer base.
- Do not place any cooking utensils or plates directly on the drawer base.
- Always grill with the drawer closed.
- Do not grill food containing fat without using the grill pan grid.
- Do not cover the grill pan grid or the drawer walls with aluminium foil.
- Do not perform maintenance or cleaning without first switching off the electricity supply. If the drawer has recently been used, allow to cool.

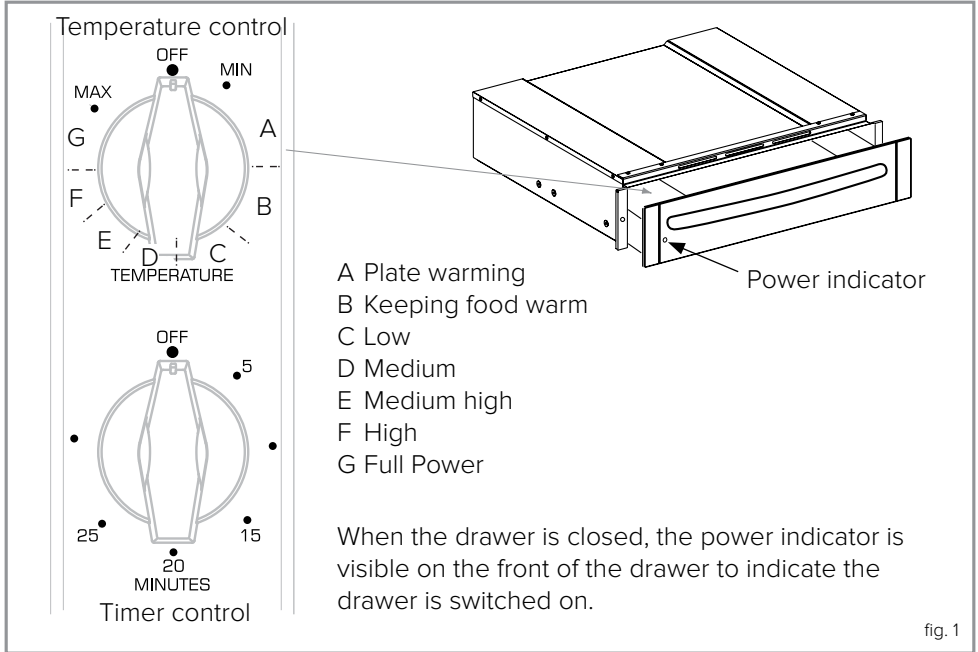
-
- **Do not place hot metallic parts in water. Leave them to cool first.**
 - **Do not allow vinegar, coffee, milk, saltwater, lemon or tomato juice to remain in contact with metal parts.**
 - **Do not leave the grill drawer unattended whilst in use.**
 - **Do not use abrasive cleaners or powders that will scratch the surface of the steel.**
 - **Do not attempt to repair the internal workings of your grill drawer.**

This drawer has been fitted with a cooling fan to achieve maximum efficiency and to maintain low surface temperatures. The cooling fan will switch on automatically when the drawer switches on. It is normal for the cooling fan to run for an hour or more after use, depending on the duration and temperature used.

IMPORTANT

If the drawer runners become damaged or do not work correctly do not operate the grill drawer. Contact CDA Customer Care for advice.

Using Your Grill Drawer



Use

- Select the required cooking time.
- Select the required temperature.
- Close the drawer gently.

Ensure that you turn both controls to the off position when cooking is complete.

Setting the Temperature

- Turn the temperature control to the required position.
- Do not force the temperature control past the maximum position, to prevent damage to the thermostat.
- The symbols do not indicate absolute temperature values, but recommendations for control positions are shown in figure 1.

Setting The Cooking Time

The grill drawer is equipped with a timer which can be set for up to 30 minutes.

- Turn the timer control to the required position. The timer will start running and will sound an audible alert at the end of the countdown.
- Do not force the timer control past the 30 minute position, to prevent damage to the timer.

Please note:

- Always grill with the drawer closed.
- Do not grill for more than 30 minutes at a time.
- The grill can be preheated if required for two minutes prior to placing food inside.
- Small amounts of steam may escape from the top of the drawer front when the grill drawer is in use. This is normal and does not constitute a fault.
- The grill drawer will only run when the drawer is closed.

With use, experience will demonstrate optimal cooking times and temperature settings.

Care And Maintenance

IMPORTANT

Before cleaning or any service operation is started, the appliance must be disconnected from the power supply.

If the drawer has been in use, let the drawer cavity and the heating elements cool down before attempting any maintenance.

The drawer exterior and control panel

As the drawer has a stainless steel and glass surface, you should use a nonabrasive cleaner. Any abrasive cleaner (including Cif) will scratch the surface. Stainless steel can be effectively cleaned by simply using a dilute solution of water and mild detergent and drying to a shine with a clean cloth.

Proprietary stainless steel cleaners are available. We recommend the CDA E-Cloth available from the CDA Sales Team for cleaning stainless steel surfaces as this has been designed to prolong the finish of your appliance.

The drawer interior

The drawer should always be cleaned after use but only when it has cooled down.

The interior should be cleaned using a mild detergent solution and warm water. Proprietary chemical cleaners must not be used. Abrasive cleaning agents or scouring pads/cloths should not be used.

IMPORTANT:

- Steam cleaners must not be used when cleaning this appliance.
- Once care and maintenance is complete, ensure that all parts are correctly replaced before using the grill drawer.

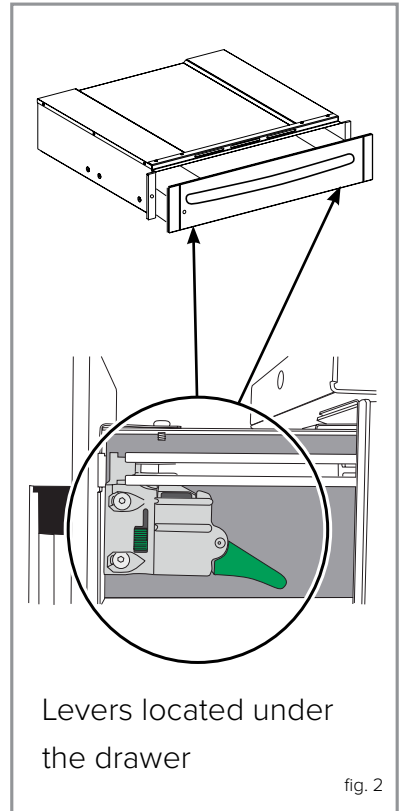
The drawer can be removed to facilitate cleaning.

- Pull out the drawer fully.
- Open the drawer release levers, positioned underneath the drawer runners, as shown in figure 2.
- Carefully slide the drawer forwards to remove it from the runners.

To replace the drawer, locate it on the runners and push back into the housing.

IMPORTANT

Ensure that the drawer runners lock into the drawer release levers. A 'click' sound signifies the drawer is locked to the runners.



Installation

Important

The grill drawer is not intended to be installed under a worktop and is intended to be installed underneath a CDA compact appliance.

Do not install this product in locations where the top of the grill drawer is within 25mm of a wooden supporting shelf.

Failure to allow adequate ventilation to the appliance may result in overheating or damage to adjacent units and could invalidate the warranty.

This appliance is type X installation.

The walls of the kitchen units must be able to withstand temperatures of 75°C above ambient (typically this is between 90°C and 100°C).

When correctly installed ensure that there is a gap of 4mm minimum between the sides of the grill drawer and adjacent furniture doors.

Lift the grill drawer carefully into position on the shelf, taking care NOT to lift it by the drawer handle. When the drawer is open, there are two screw holes visible, one on each side of the housing. The grill drawer should then be secured to the housing by fitting screws into these holes. Remember the housing should not be free standing but be secured to the wall and/or adjacent fittings.

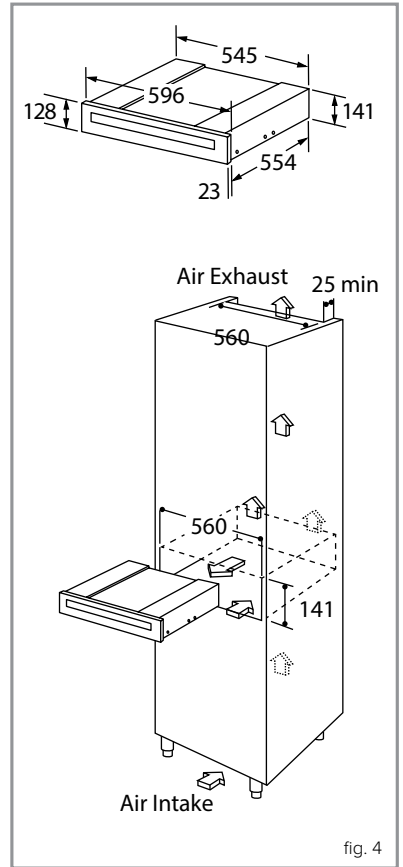
How to install your grill drawer

You will need the following housing area to install your grill drawer correctly.

The grill drawer is designed to fit into a cabinet of 600mm width with a clearance between the side and rear of the grill drawer of 5mm or more.

The grill drawer should be built in, but you must ensure that it is properly ventilated as described below.

In the diagram shown in figure 4 an open channel is shown at the rear of the housing unit for ventilation purposes; this is standard with most housing units. The dimensions of the rear channel should be 500mm x 25mm as a minimum.



The top of the unit should be open to allow air to escape and a free air intake should be provided in the housing unit to allow a natural flow of cooling air inside the unit. The dimensions of the air intake are recommended as 500mm x 25mm (or 1250cm²).

The maximum weight of an appliance to be installed above the grill drawer is 60kg.

Electricity Supply To Your Grill Drawer

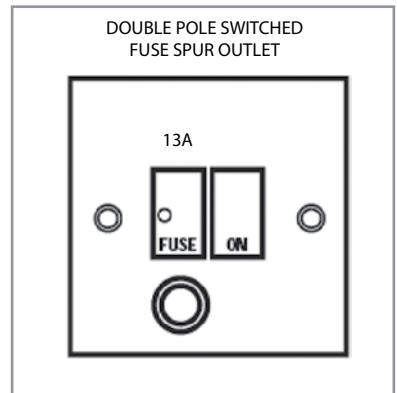
Warning! This appliance must be earthed.

This appliance must be connected by a competent person, using fixed wiring via a double pole switched fused spur outlet, protected by a 13A fuse.

We recommend that the appliance is connected by a qualified electrician, who is a member of the N.I.C.E.I.C. and who will comply with the I.E.T. and local regulations. The wires in the mains lead are coloured in accordance with the following code:

**GREEN AND YELLOW = EARTH BLUE
= NEUTRAL BROWN = LIVE.**

As the colours of the wires in the mains lead for the appliance may not correspond with the coloured markings identifying the terminals in your spur box, proceed as follows:



-
1. The wire which is coloured green and yellow must be connected to the terminal marked E (Earth) or coloured Green.
 2. The wire which is coloured blue must be connected to the terminal marked N (Neutral) or coloured Black.
 3. The wire which is coloured brown must be connected to the terminal marked L (Live) or coloured Red.

Please note:

The electricity supply should allow for the disconnection of the appliance after installation. The isolator should be positioned within 2m of the appliance.

E & O E. All instructions, dimensions and illustrations are provided for guidance only. CDA reserve the right to change specifications without prior notice.

Please contact our **Customer Care Department** for Service on the details below

Customer Care Department

The ICDAI Group Ltd. • Harby Road • Langar • Nottinghamshire • NG13 9HY
T : 01949 862 012 F : 01949 862 003 E : customer.care@cda.eu



www.cda.eu