



VW101 Accessory Drawer

Installation, Use and Maintenance

Important

The manufacturer cannot be held responsible for injuries or losses caused by incorrect use or installation of this product.

Please note that we reserve the right to invalidate the guarantee supplied with this product following incorrect installation or misuse of the appliance.

This appliance is not designed to be used by people (including children) with reduced physical, sensorial or mental capacity, or who lack experience or knowledge about it, unless they have had supervision or instructions on how to use the appliance by someone who is responsible for their safety.

This appliance must only be used for the purpose for which it is intended, i.e. storage. Any other use could be dangerous and may lead to premature failure.

Appliance information:

Please enter the details on the appliance rating plate below for reference, to assist CDA Customer Care in the event of a fault with your appliance and to register your appliance for guarantee purposes.

Appliance Model	
-----------------	--

Serial Number	
---------------	--

Important

- Do not rest or sit on the drawer when open, as this will damage the telescopic runners.
- The maximum capacity of the drawer is 20kg.
- Do not cover the bottom of the drawer with aluminium foil or other objects. Use only the supplied mat.
- To avoid scratching, do not drag dishes on the bottom of the drawer.

THE MANUFACTURER DECLINES ALL RESPONSIBILITY FOR EVENTUAL DAMAGES CAUSED BY FAILURE TO OBSERVE THESE INSTRUCTIONS.

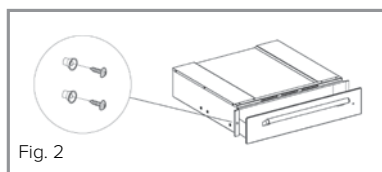
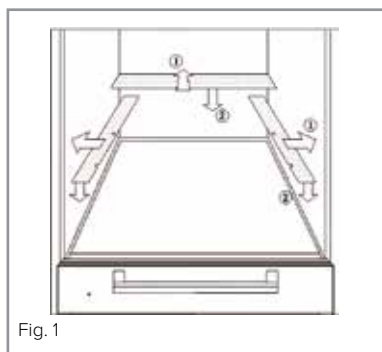
Before first use

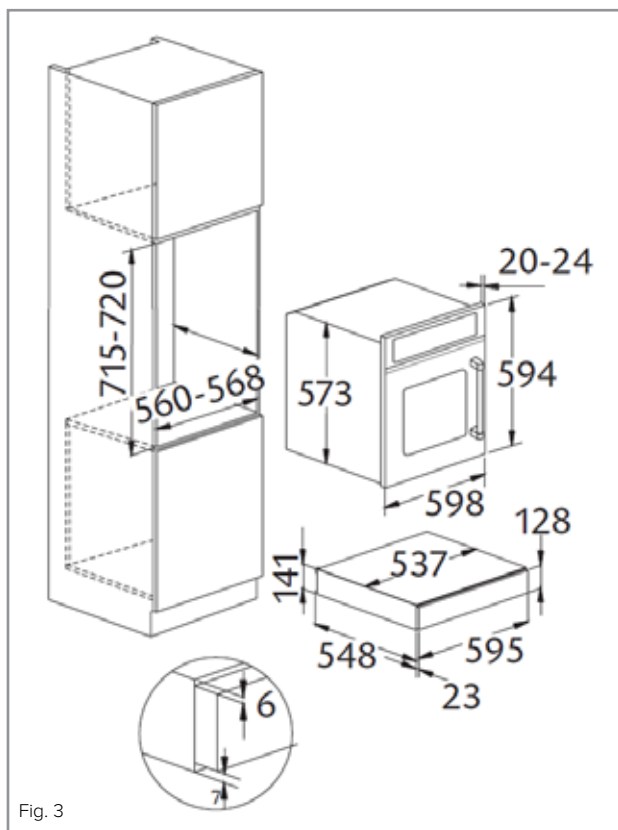
Before using the drawer for the first time we recommend that you clean it with a damp cloth, then dry thoroughly.

Installation

Check the measurements in fig. 3 to confirm the requirements for your installation. Please note, the oven dimensions show a standard CDA oven and will vary depending on the appliance being installed above the accessory drawer.

1. Locate the product centrally on the supporting shelf and fix into position using the fixing screws and plastic supports (Fig. 2).
2. Carefully fit the appliance on top of the accessory drawer, taking care not to scratch the top stainless edge of the drawer unit.
3. Secure the oven into the housing using appropriate fixing screws.
4. The accessory drawer is supplied with three metal filler strips with self-adhesive backing. These strips should be attached to the accessory drawer to seal any gaps between the appliance and the housing. Remove the protective foil from each strip and position it as shown in fig. 1 so it is flush with the rear and side walls of the housing, then attach to the accessory drawer. If there is no rear wall to the housing, the rear trim is not required.





Care and Maintenance

IMPORTANT

- **Steam cleaners must not be used when cleaning this appliance.**

Accessory drawer exterior

As the accessory drawer has a stainless steel surface, you should use a nonabrasive cleaner. Any abrasive cleaner (including Cif) will scratch the surface. Stainless steel can be cleaned effectively by simply using a dilute solution of water and mild detergent and drying to a shine with a clean cloth.

Proprietary stainless steel cleaners are available. We recommend the CDA E-Cloth available from the CDA Sales Team for cleaning stainless steel surfaces as this has been designed to prolong the finish of your appliance.

Accessory drawer interior

The inside should be cleaned using a mild detergent solution and warm water, then dried thoroughly.

Notes:

E & O E. All instructions, dimensions and illustrations are provided for guidance only. CDA reserve the right to change specifications without prior notice.

