

3B10 Extractor

Installation, Use and Maintenance



Important

The CDA Group Ltd cannot be held responsible for injuries or losses caused by incorrect use or installation of this product. Please note that CDA reserve the right to invalidate the guarantee supplied with this product following incorrect installation or misuse of the appliance or use in a commercial environment.

This appliance is not designed to be used by people (including children) with reduced physical, sensorial or mental capacity, or who lack experience or knowledge about it, unless they have had supervision or instructions on how to use the appliance by someone who is responsible for their safety.

Under no circumstances should any external covers be removed for servicing or maintenance except by suitably qualified personnel.

Appliance information:

Please enter the details on the appliance rating plate below for reference, to assist CDA Customer Care in the event of a fault with your appliance and to register your appliance for guarantee purposes.

Appliance Model	
-----------------	--


Serial Number	
---------------	--

CE Declarations of Conformity:

This appliance has been manufactured to the strictest standards and complies with all applicable legislation, including Gas safety, Electrical safety (LVD) and Electromagnetic Interference Compatibility (EMC).

IMPORTANT INFORMATION FOR CORRECT DISPOSAL OF THE PRODUCT IN ACCORDANCE WITH EC DIRECTIVE 2002/96/EC.

At the end of its working life, the product must be taken to a special local authority waste collection centre or to a dealer providing appliance recycling services.

Disposing of a household appliance separately avoids possible negative consequences for the environment and health. It also enables the constituent materials to be recovered, saving both energy and resources. As a reminder of the need to dispose of household appliances separately, the product is marked with a crossed-out wheeled dustbin .

Please note:

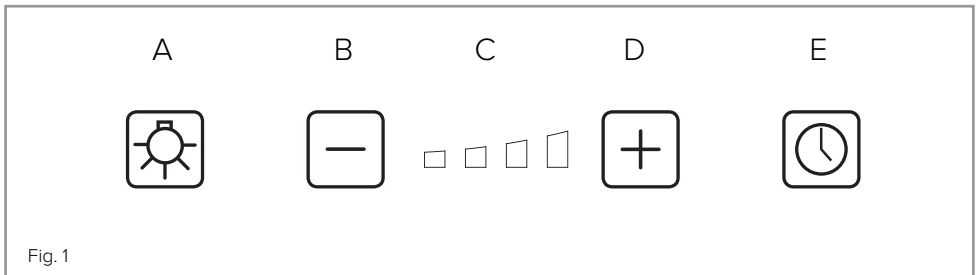
- Under no circumstances should the extractor be connected to any gas ventilation system, flue system or hot air ducting system.
- Do not vent the extractor into an attic or loft space.
- Only install the extractor in rooms with adequate ventilation. Remember that the extractor is powerful and whatever air is extracted needs to be replaced.
- Do not tile the extractor in. It should be removable for service or maintenance.
- Do not use silicone sealant to secure the extractor to the wall.
- You must be able to isolate the extractor from the mains electrical supply after installation.

- Steam cleaners must not be used when cleaning this appliance.
- The performance of your extractor will vary depending on a number of factors, such as supply voltage and cleanliness of the filters.

Note:

For best performance, you should switch on the extractor 15 minutes before starting to cook and leave it to run for approximately 15 minutes after the end of cooking.

Using Your Extractor



A - Light key

B - Minus key

C - Speed indicator

D - Plus key

E - Timer key

To switch the extractor on:

- Touch the “Plus” key (D) to start the extractor running at the lowest speed.

Setting the extractor speed when it is running:

The extractor may run at a choice of 4 speeds, indicated by the “Speed indicator” lights (C) on the control panel.

- To increase the speed touch the “Plus” key (D). The speed will increase by one increment for each touch of this key.
- To decrease the speed touch the “Minus” key (B). The speed will decrease by one increment for each touch of this key.

To switch the extractor off:

- Touch the “Minus” key (B) several times to turn the extractor to its lowest speed setting, then once more to turn it off.

To switch the light on or off:

- Touch the “Light” key (A).

The timer function:

The timer function sets the extractor to switch itself off after ten minutes have passed. This is ideal when you leave the kitchen after cooking as the extractor can be left to clear the air then switch off to save power, without you disturbing your meal to switch it off.

- To set this function, touch the “Timer” key “E”. The “Speed indicator” will start to flash to show this function has been activated.
- To cancel this function, press either the “Plus” or “Minus” button (D) or (B).

Care and Maintenance

IMPORTANT : DO NOT PERFORM MAINTENANCE OR CLEANING OF THE EXTRACTOR WITHOUT FIRST SWITCHING OFF THE ELECTRICITY SUPPLY.

Cleaning

You should use a nonabrasive cleaner. Any abrasive cleaner (including Cif) will scratch the surface.

You can clean your extractor effectively by simply using a dilute solution of water and mild detergent and drying to a shine with a clean cloth, for example the CDA E-Cloth.

Cleaning the grease filter

The grease filter should be kept clean to minimise the risk of fire.

The grease filter may be removed then cleaned with hot soapy water. You can also wash the grease filter in a dishwasher, ensuring that you place it in an upright position to prevent damage from other items in the dishwasher.

Please note:

Cleaning the grease filter in the dishwasher may lead to discolouration. This is normal and does not constitute a fault with the appliance.

To remove the aluminium grease filter for cleaning

- Pull the catch handle on the grease filter gently downwards to release the front of the grease filter and lower it slightly. The rear of the filter can then be released from its locating tags at the rear of the appliance.

To re-fit the aluminium grease filter after cleaning

- Replacement of the aluminium grease filter is a straight reversal of the removal process.

Changing the charcoal filter (re-circulating only)

To ensure best performance of your extractor, you should replace the charcoal filter every four to six months, depending on use.

To attach a charcoal filter:

- Remove the grease filter as described above.
- Position the charcoal filter in the aperture. It is a tight fit so should remain in place until the grease filter is replaced to lock it into position.
- Finally, replace the grease filter.

IMPORTANT: Steam cleaners must not be used to clean this appliance.

If your extractor is not working:

1. Check that the mains supply has not been switched off.
2. Check that the fuse in the spur has not blown.

The LED Lamps

The LED lamp strips are long-life items that are not designed to be replaced by the user. In the unlikely event of a lamp failure, contact CDA Customer Care for assistance.

Mains Electricity Connection

THIS APPLIANCE MUST BE CONNECTED TO THE MAINS SUPPLY BY A COMPETENT PERSON, USING FIXED WIRING VIA A DOUBLE POLE SWITCHED FUSED SPUR OUTLET AND PROTECTED BY A 3A FUSE.

We recommend that the appliance is connected by a qualified electrician, who is a member of the N.I.C.E.I.C. and who will comply with the I.E.T. and local regulations.

The wires in the mains lead of this appliance are coloured in accordance with the following code:

Green & Yellow = Earth

Blue = Neutral

Brown = Live

As the colours of the wires in the mains lead for the appliance may not correspond with the coloured markings identifying the terminals connecting to the fused spur, proceed as follows:

- The wire which is coloured green and yellow must be connected to the terminal marked “E” (Earth) or coloured green.
- The wire which is coloured blue must be connected to the terminal marked “N” (Neutral) or coloured black.
- The wire which is coloured brown must be connected to the terminal marked “L” (Live) or coloured red.

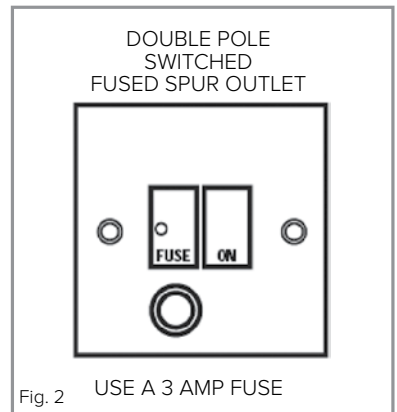


Fig. 2

USE A 3 AMP FUSE

Note: Use a 3A Fuse.

Assembly and electrical connection should be carried out by specialised personnel.

When installing this product we recommend you seek the help of another individual.

Do not mount the isolation switch behind the chimney section. It is a requirement that you must be able to isolate the extractor from the mains electrical supply after installation.

This appliance is intended to be connected to the mains electrical supply by means of an isolation switch and fused spur and is intended to be protected by a 3A fuse. The use of a 13A fuse can cause damage to the internal wiring in the event of a fault, and may also invalidate the warranty.

Electrical Information

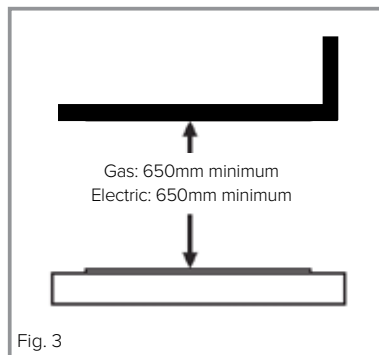
Mains electrical voltage: 230Vac

Total rated power consumption: 275W

Installation

When the extractor is to be installed above an electric hob, the minimum distance between the hob and extractor must exceed 650mm.

When the extractor is to be installed above a gas hob, the minimum distance between the hob and extractor must exceed 650mm.



If the instructions provided with your gas hob state that the required distance between the hob and extractor must be greater than 650mm, then that is the distance that should be observed; this is a legal requirement and may lead to your hob being disconnected from the gas supply and the installation being reported to RIDDOR (The height should be measured from the top of the burners).

IN THE ABSENCE OF ANY INSTRUCTIONS SUPPLIED WITH THE GAS HOB, THE MINIMUM DISTANCE BETWEEN THE HOB AND EXTRACTOR MUST BE AT LEAST 760mm.

The width of any hob must not be greater than the width of the extractor installed above it.

Ducting and Ventilation

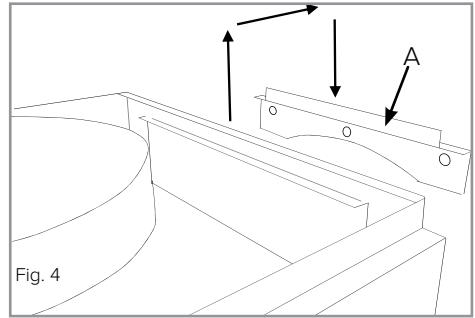
For best performance and lowest noise output, we recommend the use of 150mm ducting. 125mm ducting may be used but this will reduce performance and increase the noise of the extractor.

Mounting Your Extractor

To mount the hood onto a wall:

1. Use the template supplied to mark out five fixing holes in the wall, then drill these using a suitable drill for the type of wall:

- Three holes for the top hanging bracket.
- Two holes toward the bottom for bracing the extractor body.



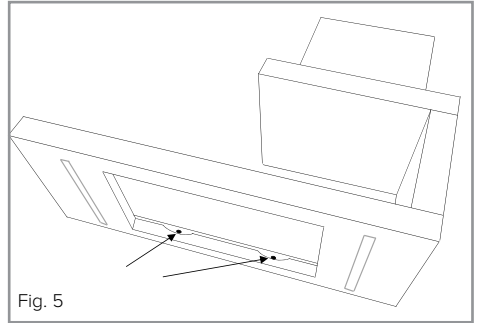
Note: The size required for the holes is dependent on the wall fixings to be used.

2. Remove the grease filter from the underside of the appliance.
3. Screw the hanging bracket (“A” in Fig. 4) to the wall using three suitable fixings.

Note: the screws supplied are suitable for solid masonry walls only: Dedicated fixings will be required for dry lined, partition or other types of walls.

4. Lift the extractor onto the hanging bracket (Fig. 5).

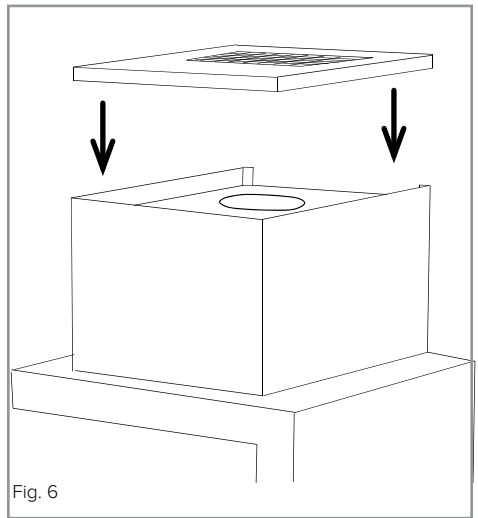
5. Insert the two lower fixings through the mounting holes in the extractor body and into the wall to lock the appliance in position. The location of the holes is shown in fig. 5.



For recirculating installation:

When installing for recirculation only the lower chimney section is used.

1. Make any necessary electrical connections within the chimney area. Note: the isolation switch must not be in this area, see comment under “Mains electricity connection” above.



2. The lower chimney section simply slots into the top of the extractor body. The spring clips at either side of the motor housing help locating it in position.
3. Slot the top cover into its location on top of the chimney section (Fig. 6).

For extracting installation:

When installing for extraction both of the chimney sections are used.

1. Screw the top mounting bracket (“A” in Fig. 7) to the wall and/or ceiling, centrally above the extractor outlet.
2. Fit your choice of ducting to the motor outlet and route it through the ceiling or wall as required.
3. Make any necessary electrical connections within the chimney area. Note: the isolation switch must not be in this area, see comment under “Mains electricity connection” above.
4. The lower chimney section simply slots into the top of the extractor body. The spring clips at either side of the motor housing help locating it in position.
5. Slide the upper chimney section inside the lower one then mount it to the top bracket using the two self-tapping screws supplied.

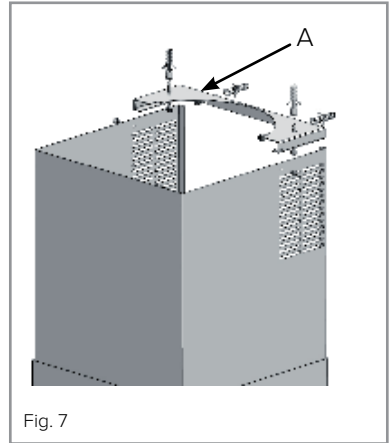


Fig. 7

Notes:

Energy Efficiency Information

Attribute	Symbol	Value	Units
Model Identification		3B10	
Annual Energy Consumption	AEC_{Hood}	63.2	kWh
Time increase factor	f	1.1	
Fluid Dynamic Efficiency	FDE_{Hood}	25.2 (B)	
Energy Efficiency Index	EEl_{Hood}	65.8	
Measured airflow at Best Efficiency Point	Q_{BEP}	286.8	m^3/h
Measured Pressure at Best Efficiency Point	P_{BEP}	424	Pa
Maximum airflow	Q_{MAX}	586	m^3/h
Measured electric power at Best Efficiency Point	W_{BEP}	133.8	W
Nominal lighting power	WL	13	W
Average illumination of the lighting system on the cooking surface	E_{Middle}	307	Lux
Measured power consumption in standby	P_S	0.49	W
Measured power consumption off mode	P_O	0	W
Sound power level	L_{WA}	72	dBA
Grease Filter Efficiency	GFE_{Hood}	79.7 (C)	%
Lamp efficiency	LE_{Hood}	23.6 (B)	%

E & O E. All instructions, dimensions and illustrations are provided for guidance only. CDA reserve the right to change specifications without prior notice.



Please contact our **Customer Care Department** for Service on the details below

Customer Care Department

The CDA Group Ltd. • Harby Road • Langar • Nottinghamshire • NG13 9HY
T : 01949 862 012 F : 01949 862 003 E : customer.care@cda.eu

