

# PC71 American Style Fridge Freezer

Installation, Use and Maintenance



# Important

The CDA Group Ltd cannot be held responsible for injuries or losses caused by incorrect use or installation of this product. Please note that CDA reserve the right to invalidate the guarantee supplied with this product following incorrect installation or misuse of the appliance.

Under no circumstances should any external covers be removed for servicing or maintenance except by suitably qualified personnel.

## Appliance information:

Please enter the details on the appliance rating plate below for reference, to assist CDA Customer Care in the event of a fault with your appliance and to register your appliance for guarantee purposes.

Appliance Model	
-----------------	--

Serial Number	
---------------	--


## EU Declarations of Conformity:

This appliance has been designed, constructed and marketed in compliance with safety requirements of EU Directive 2014/35/EU (LVD) and requirements of EU Directive 2014/30/EU (EMC).

This appliance has been manufactured to the strictest standards and complies with all applicable legislation, including Electrical safety (LVD) and Electromagnetic interference compatibility (EMC). Parts intended to come into contact with food conform to 1935/2004/EC.

## **IMPORTANT INFORMATION FOR CORRECT DISPOSAL OF THE PRODUCT IN ACCORDANCE WITH EC DIRECTIVE 2012/19/EU.**

At the end of its working life, the product must not be disposed of as urban waste. It must be taken to a special local authority differentiated waste collection centre or to a dealer providing this service.

Disposing of a household appliance separately avoids possible negative consequences for the environment and health deriving from inappropriate disposal and enables the constituent materials to be recovered to obtain significant savings in energy and resources. As a reminder of the need to dispose of household appliances separately, the product is marked with a crossed-out wheeled dustbin .

## **Before First Use of the Fridge/Freezer**

**You must allow the fridge to settle for at least twenty four hours prior to switching the power on.**

It is recommended that you clean the interior of the appliance prior to first use, using a solution of bicarbonate of soda and warm water then thoroughly dry the interior.

**The fridge may have an odour to it at first use. This will disappear as the appliance cools.**

**Please note:**

The appliance will work continuously until it comes down to the correct temperature.

If the appliance is switched off, you should allow five minutes before switching it on again to prevent unnecessary damage to the compressor.

## Fridge Use

- Never put liquids in the refrigerator uncovered.
- Never put hot foods in the refrigerator. Warm food should be allowed to cool to room temperature before being put into the refrigerator.
- Nothing should rest against the rear wall of the refrigerator, as this will cause frost and possible condensation problems which will be difficult to remove.
- Make sure food is clean and any extra water is wiped away before putting into the fridge.
- Wrap or cover food before putting into the fridge. This will help prevent the loss of moisture, keep food fresh and avoid unpleasant odours.
- Sort foods prior to storing. Any foods to be used soon should be stored at the front of the shelf to prevent deterioration caused by the door being open for prolonged periods.
- Do not overfill the fridge. There should be sufficient space between the foods to allow the cool air to circulate.
- Thawing frozen foods in the fridge compartment will help to keep the temperature low and save energy.

## Freezer Use

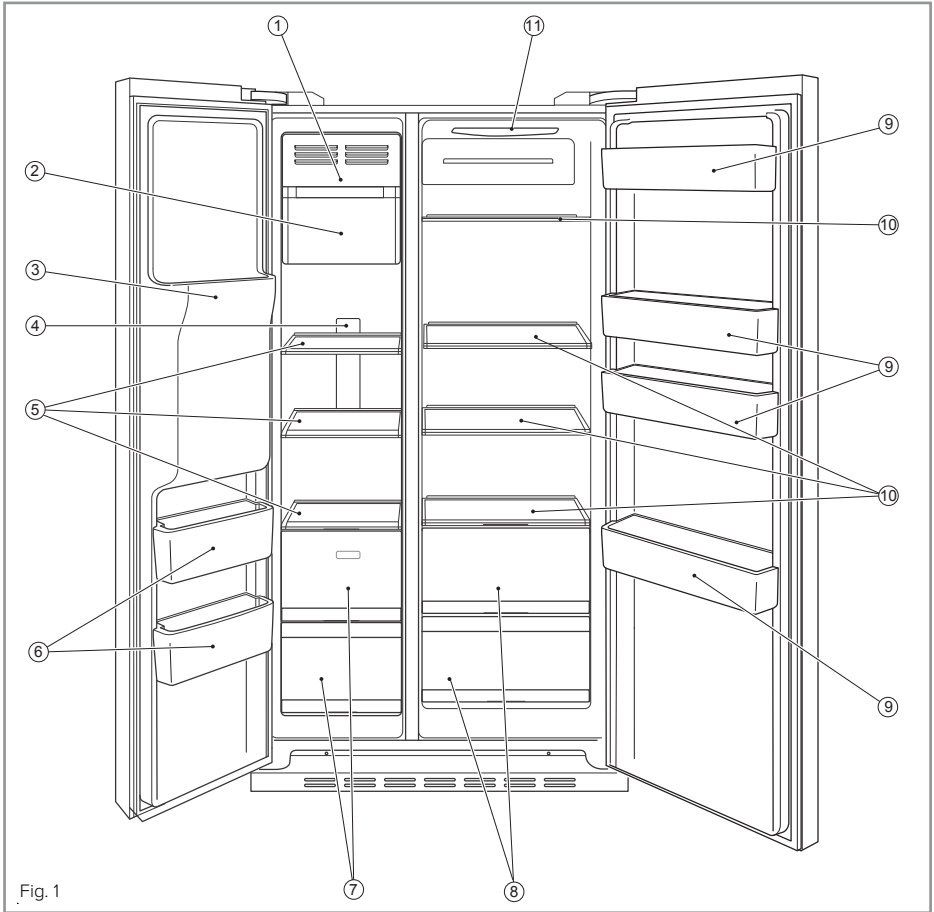
- The freezer compartments are designed to store only frozen food.
- Never put hot or warm foods in the freezer, allow them to cool fully before putting them into the freezer.
- Follow the instructions on the food packaging for storage of frozen food. If no information is provided, foods should not be stored for more than three months after the purchase date.
- Store food in small packages (ideally less than 2.5kg). This reduces the freezing time and improves the quality of the food after thawing.
- Wrap food before putting into the freezer. To stop the wrapping sticking together, ensure it is dry.
- Label the food before freezing with information including type of food and dates of storage and expiry.
- Once food is thawed, it must not be refrozen unless it has been completely cooked. Only defrost as much food as is required to prevent wastage.
- Bottled or canned drinks should not be stored in the freezer compartments as they could explode.
- Check the rating plate to confirm the maximum amount of fresh food (10kg) that can be frozen within a 24 hour period.
- Do not attempt to freeze more than the maximum amount.
- To freeze fresh food more quickly, switch on the quick freeze function a few hours prior to placing the food in the freezer.

- 
- Do not use the quick freeze function for more than 48 hours. Use over the recommended time will place unnecessary strain on the refrigeration system.

**IMPORTANT:**

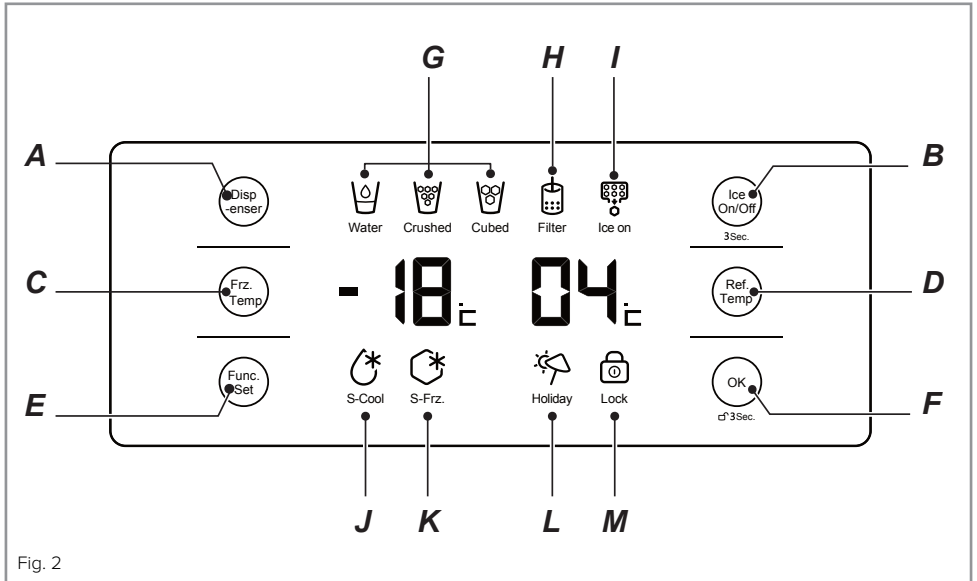
If the power to the appliance, or your home, fails and you anticipate that it may be out for a long time then please clear out all ice from the ice box. If you are leaving the appliance switched off for a prolonged period then please also clear out all ice from the ice box. This is because any residual ice may, without power to the appliance, melt and run out of the freezer which could cause damage to the appliance, units and/or the floor.

# PC71 Features



- |    |                                 |     |                  |
|----|---------------------------------|-----|------------------|
| 1: | Ice cream shelf                 | 7:  | Freezer drawers  |
| 2: | Ice maker                       | 8:  | Salad crispers   |
| 3: | Water & ice dispenser           | 9:  | Fridge balconies |
| 4: | Freezer light                   | 10: | Fridge shelves   |
| 5: | Freezer shelves                 | 11: | Fridge light     |
| 6: | Freezer balconies (2* freezing) |     |                  |

# Control Panel



- |    |                         |    |                     |
|----|-------------------------|----|---------------------|
| A: | Dispenser selection key | H: | Filter change light |
| B: | Ice maker on/off key    | I: | Ice maker on light  |
| C: | Freezer temperature key | J: | Super cool light    |
| D: | Fridge temperature key  | K: | Super freeze light  |
| E: | Function selector key   | L: | Holiday mode light  |
| F: | OK key                  | M: | Key lock light      |
| G: | Dispenser lights        |    |                     |

## NOTE:

The display dims automatically 30 seconds after the last key was touched. It is necessary to touch any key briefly to re-activate the display before attempting any adjustments.



## Setting the Fridge Temperature

- Ensure the appliance is not in “Lock” mode - make sure the “Lock” light (M) is not illuminated. If it is in “Lock” mode touch the “OK” key (F) for three seconds to switch the “Lock” mode off, you will see the “Lock” light (M) is extinguished.
- Touch the “Fridge temperature” key (D) once so the fridge temperature display flashes.
- While the fridge temperature display is still flashing, touch the “Fridge temperature” key (D) to scroll through the available temperatures. This may be set between 1°C and 9°C.
- Leave the display for around five seconds to stop flashing and the temperature is set.

## Setting the Freezer Temperature

- Ensure the appliance is not in “Lock” mode - make sure the “Lock” light (M) is not illuminated. If it is in “Lock” mode touch the “OK” key (F) for three seconds to switch the “Lock” mode off, you will see the “Lock” light (M) is extinguished.
- Touch the “Freezer temperature” key (C) once so the freezer temperature display flashes.
- While the freezer temperature display is still flashing, touch the “Freezer temperature” key (C) to scroll through the available temperatures. This may be set between -14°C and -24°C.
- Leave the display for around five seconds to stop flashing and the temperature is set.

# Ice and Water Dispenser

When the appliance is first switched on the ice maker will default to the “off” setting.

## Ice maker on/off key

- To switch the ice maker on or off, touch the “Ice maker on/off” key (B) and hold it for three seconds. The “Ice maker on” light lights up when the ice maker is on and switches off when the ice maker is switched off.

**Note:** Ensure that you empty the ice maker when you switch it off to avoid spilling the thawed water.

- The ice-making process takes approximately two hours. The ice maker will make ice automatically once it is switched on and will continue to make ice until the ice compartment is full. Whenever ice is removed, the ice maker will make more ice until the compartment is full again.
- When crushed ice is dispensed, ensure the container is close to the nozzle to prevent spillage.

## Dispenser selection key

The ice and water dispenser can provide ice cubes, crushed ice or cool filtered water. Touch the “Dispenser selection” key (A) to cycle through the options. The display will show the symbol for each option.

Once the display shows the water or ice option required, place the container underneath the dispenser nozzle and push the switch back to start dispensing.

**Notes:**

After initial connection of the water supply, or after a lengthy period without being used, the first water (approx. 7 glasses) and ice produced should be discarded.

Do not use excessively deep, narrow, fragile or delicate glasses.

Hold the glass as close as possible to the dispenser to reduce the risk of spillage or splashing.

Clean the ice and water dispenser regularly to avoid the build-up of bacteria.

To maintain the water quality we recommend that the water filter is replaced every 6 months. It may be necessary to replace it more frequently than this if the water quality deteriorates.

Do not place canned drinks or foods inside the ice dispenser as this can damage the crushing mechanism.

Do not place ice cubes that have not been made in this ice maker into the storage drawer. Inserting the wrong type of ice cubes could damage the mechanism.

Restriction to the water supply may result in smaller ice cubes being produced than intended.

Excessive water pressure may result in larger ice cubes being produced that may stick together resulting in leaks or blocking the dispenser.

**Filter change light**

The filter change light illuminates approximately six months after the appliance was first plugged in, or after it was last reset, to remind you to change the filter.

To reset the light when the filter is changed, touch the “Function selector” key for three seconds.

# Holiday Mode

This appliance is equipped with a holiday mode function, this allows you to switch the fridge off and leave the freezer running. This maintains frozen food during a holiday, without running the fridge as well.

## To switch the holiday mode on

- Touch the “Function selector” key (E) to cycle through the function options. Stop when the “Holiday mode” light (L) flashes.
- Touch the “OK” key (F) to confirm the selection, the “Holiday mode” light (L) will stay on and the holiday mode will be activated.

Note that if this key is not touched within approx. five seconds the “Holiday mode” light (L) will stop flashing and this mode will not be switched on.

**NOTE: After the display automatically dims it is necessary to touch any key briefly to re-activate the display before you can check whether the fridge is in holiday mode or not.**

## To switch the holiday mode off

- Touch the “Function selector” key (E) to cycle through the function options. Stop when the “Holiday mode” light (L) flashes.
- Touch the “OK” key (F) to confirm the selection, the “Holiday mode” light (L) will switch off.

Note that if this key is not touched within approx. five seconds the “Holiday mode” light (L) will continue flashing and this mode will stay switched on.

- The fridge will then return to the setting it was at before holiday mode was switched on.

# Super Freeze Function

The super freeze function can be used to freeze large quantities of fresh food as quickly as possible. For best results, switch the super freeze function on 12 hours prior to introducing large quantities of food to be frozen.

## **To switch the super freeze function on**

- Touch the “Function selector” key (E) to cycle through the function options. Stop when the “Super freeze” light (K) flashes.
- Touch the “OK” key (F) to confirm the selection, the “Super freeze” light (K) will stay on and the super freeze will be activated.

Note that if this key is not touched within approx. five seconds the “Super freeze” light (K) will stop flashing and this mode will not be switched on.

## **To switch the super freeze function off**

- Touch the “Function selector” key (E) to cycle through the function options. Stop when the “Super freeze” light (K) flashes.
- Touch the “OK” key (F) to confirm the selection, the “Super freeze” light (K) will switch off.

Note that if this key is not touched within approx. five seconds the “Super freeze” light (K) will continue flashing and this mode will stay switched on.

- The fridge will then return to the setting it was at before the super freeze mode was switched on.

# Super Cool Function

The super cool function can be used to maintain the fridge temperature when large quantities of fresh food are introduced into the fridge.

## **To switch the super cool function on**

- Touch the “Function selector” key (E) to cycle through the function options. Stop when the “Super cool” light (J) flashes.
- Touch the “OK” key (F) to confirm the selection, the “Super cool” light (J) will stay on and the super cool will be activated.

Note that if this key is not touched within approx. five seconds the “Super cool” light (J) will stop flashing and this mode will not be switched on.

## **To switch the super cool function off**

- Touch the “Function selector” key (E) to cycle through the function options. Stop when the “Super cool” light (J) flashes.
- Touch the “OK” key (F) to confirm the selection, the “Super cool” light (J) will switch off.

Note that if this key is not touched within approx. five seconds the “Super cool” light (J) will continue flashing and this mode will stay switched on.

- The fridge will then return to the setting it was at before the super cool mode was switched on.

# Safety Key Lock

The fridge is equipped with a safety key lock to prevent accidental reprogramming of the fridge.

## **To switch the safety key lock on**

- Touch the “OK” key (F) and hold it for 3 seconds. The “Key lock” light (M) will illuminate; the temperature and function settings will be locked.

**NOTE: After the display automatically dims it is necessary to touch any key briefly to re-activate the display before you can check whether the key lock is switched on or not.**

## **To switch the safety key lock off**

- Touch the “OK” key (F) and hold it for 3 seconds. The “Key lock” light (M) will extinguish; the temperature and function settings will be unlocked

---

## Door Open Alarm

This appliance is equipped with an alarm to alert you if a door or drawer is left open.

In the event that a door or drawer is left open for more than approx. three minutes the appliance will start beeping, this continues until both doors are properly shut.

## Defrosting the Fridge

The fridge is cooled by convection using cold air forced through channels at the rear of the fridge. No defrosting is required.

## Defrosting the Freezer

The freezer is frost free and as such is designed not to require defrosting.



# Care and Cleaning

**Always disconnect the appliance from the power before any cleaning or maintenance.**

- The refrigerator and freezer sections should be cleaned using a solution of bicarbonate of soda and lukewarm water.
- Do not use abrasive products or detergents. After washing, rinse and dry thoroughly.
- Clean the shelves and balconies separately by hand using soap and water. Do not put them in the dishwasher.
- Once cleaning is complete, then reconnect the power.
- If the appliance is not used for prolonged periods of time, unplug and clean it. The doors should be left slightly open to prevent the formation of mildew and smell.

## **To remove and replace the icebox for cleaning**

- To remove the icebox for cleaning, lift the middle of the drawer and pull it toward you.
- To replace the icebox after cleaning, simply locate it on its runners then push in until it drops into its position.

NOTE: Do not apply excessive force. If the icebox doesn't slide back easily:

- Take the icebox out again.
- Rotate the cam mechanism at the back of the freezer **CLOCKWISE** by 90° (Fig. 3).
- Slide the icebox into position.

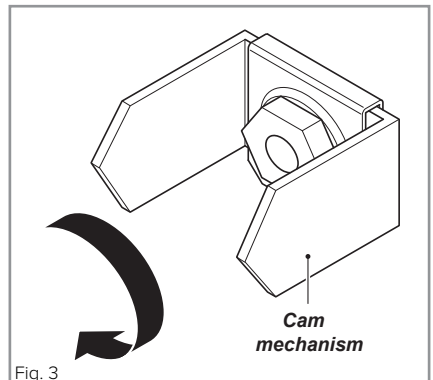


Fig. 3

---

# Troubleshooting

If you have any problems with your appliance, you should check the troubleshooting prior to calling CDA Customer Care, to prevent unnecessary service calls and potential cost.

## **If the appliance is not working**

- Check there is power to the appliance.
- The control panel is lit.
- The house fuses are intact and the fuse in the plug has not blown.
- The fridge is not in holiday mode.
- The plug socket is functioning correctly. To check this, plug another electrical appliance in to see if the socket is working.

## **The appliance is working, but not very well**

- The appliance is not overloaded.
- The temperature is set to an appropriate level.
- The doors are closing properly.
- The cooling system at the rear of the appliance is clean and free of dust, and not touching the rear wall.
- There is enough ventilation at the side and rear walls.

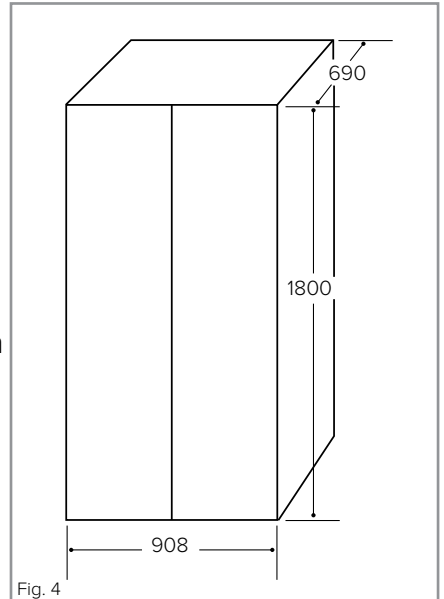
## **The appliance is noisy**

- The appliance is level and stable.
- The side and rear walls are clear, and there is nothing resting on the appliance.
- The cooling gas in the refrigerator will make a slight bubbling noise, even when the compressor is not running.

# Installation and Ventilation

**This appliance and its plumbing must be installed by a suitably qualified technician.**

Failure to provide adequate ventilation can lead to increased running costs and premature failure; it may also invalidate the warranty provided with the product.

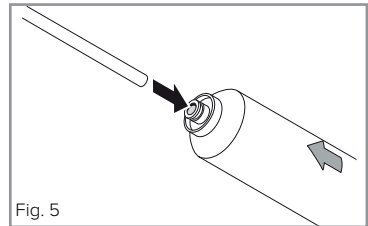


- The plug should be fully accessible at all times.
- Ensure ventilation openings are kept clear.
- Do not use a multi-plug adaptor in the socket to connect this appliance alongside other appliances.
- Do not tilt the fridge beyond 45°.
- Do not exert excessive pressure on the appliance.
- **Locate the appliance in a well ventilated position, away from heat sources, damp and direct sunlight.**
- Ensure that there is a gap of no less than 10cm above and to the sides of the appliance to allow for ventilation. The clearance between the sides and adjacent furniture will also allow the doors to open fully. Note that a greater side gap will be required if the appliance is to be positioned next to a wall to allow the doors to open fully.
- A gap of 5cm must be allowed for ventilation between the rear wall and the back of the appliance.

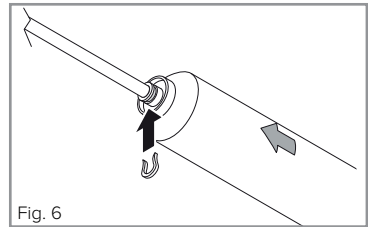
# Installing the Water Filter

Measure out and cut the length of pipe required from the water supply to the fridge-freezer. Ensure that you achieve a square cut using a sharp knife. Decide where you would like the filter to be and cut the pipe accordingly to accommodate it.

- Push fit one of the pipes into the water filter (Fig.5).

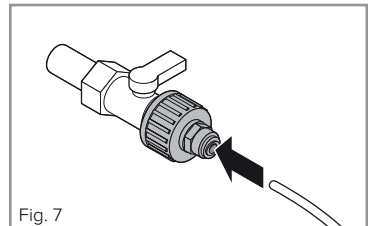


- Secure the pipe to the filter by sliding a locking clip into the groove as shown in Fig.6.

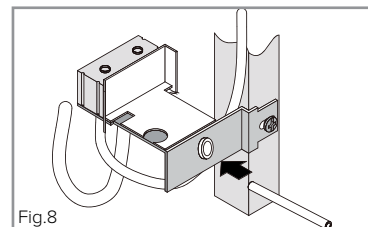


- Repeat the procedure with the other end of the filter.

- Connect the inlet end of the pipe into the plastic adapter (Fig. 7) and screw the adapter onto a suitable 1/2" BSP connector water outlet.



- Access the water valve assembly at the back of the appliance and push the pipe into the valve assembly (Fig. 8).



- To tap into an existing supply, use the 'T' fitting, tap, locking clip, black rubber washer and 'O' ring supplied (Fig. 9).

- 1 - Locking clip.
- 2 - Tap.
- 3 - 'O' ring for sealing tap to 'T' fitting.
- 4 - Rubber washer for sealing 'T' fitting to supply.
- 5 - 'T' fitting.

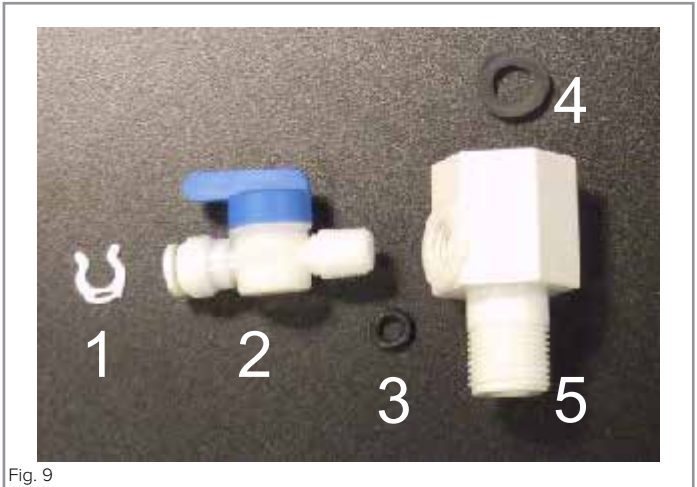


Fig. 9

- Connect the fixings as per Fig. 10.
- Ensure the seals (3 & 4) are used.

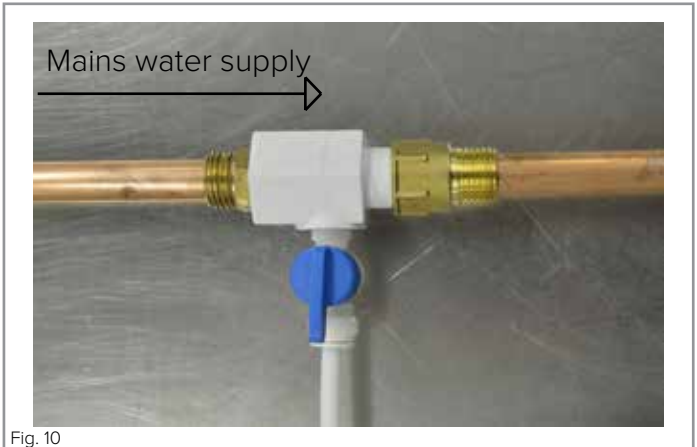


Fig. 10

- Once you have connected the water filter and are happy with the installation you may seal all threaded joints with the PTFE tape supplied. You will then need to commission the water dispenser.
- Press the water dispenser pad several times for 1 minute. Do not press for more than 1 minute to prevent the activator solenoid from overheating. Water should begin to flow from the outlet. Run water to flush the pipes and check for leakages. When you are satisfied that there are no leaks, allow the water to run until it is clear.
- Your dispenser should now be ready to use.

# Electrical Information

**Warning! This appliance must be earthed.**

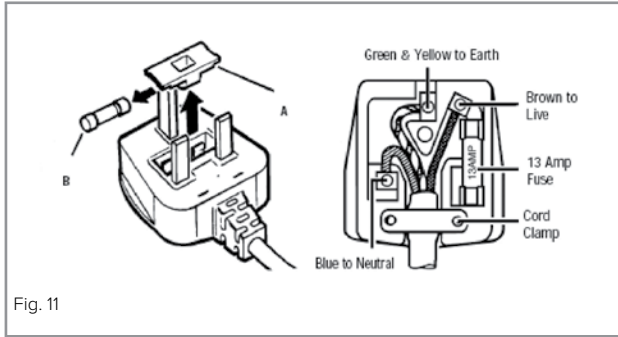


Fig. 11

The mains lead of this appliance has been fitted with a BS 1363A 13A fused plug. To change a fuse in this type of plug, follow the steps below:

1. Remove the fuse cover and fuse.
2. Fit replacement 13A fuse, ASTA approved to BS 1362 type, into the fuse cover.
3. Replace fuse cover.

**Important: do not use the appliance without the fuse cover in position.**

## How to connect an alternative plug

If the fitted plug is not suitable for your socket outlet, then it should be cut off and disposed of safely to avoid possible shock hazard. A suitable alternative plug of at least 13 Amp rating to BS 1363 should be used.

As the colours of the wires in the mains lead of this appliance may not correspond with the coloured markings identifying the terminals in your plug, proceed as follows:-

- The wire which is coloured GREEN and YELLOW must be connected to the terminal which is marked with letter (E) or by the Earth symbol  $\oplus$  or coloured GREEN and YELLOW.
- The wire which is coloured BLUE must be connected to the terminal which is marked with the letter (N) or coloured BLACK.
- The wire which is coloured BROWN must be connected to the terminal which is marked with the letter (L) or coloured RED.

If in doubt regarding the electrical connection of this appliance, consult a qualified electrician. Do not shorten the supply cable, the appliance may require removing for servicing.

**N.B. Ensure that the plug socket is situated in an easily accessible place.**

**If the power supply cable is damaged, it must be replaced by a CDA authorised agent.**



Please contact our **Customer Care Department** for Service on the details below

**Customer Care Department**

The ICDAI Group Ltd. • Harby Road • Langar • Nottinghamshire • NG13 9HY  
T : 01949 862 012 F : 01949 862 003 E : [customer.care@cda.eu](mailto:customer.care@cda.eu)

