



TC10 Single Lever Tap

CDA

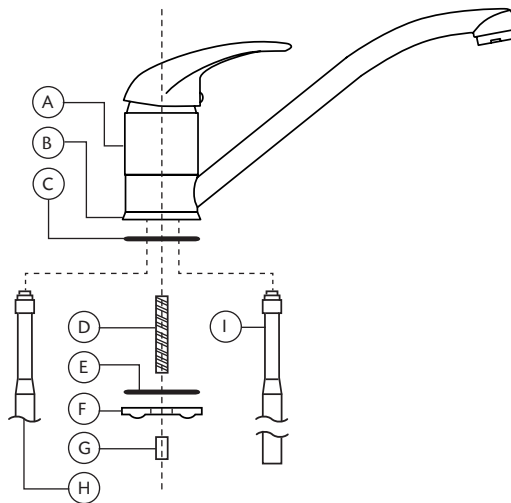
Installation

- Ensure that the collar (B) is fully tightened by hand before installation. Failure to do so may cause the tap to leak when the water is turned on.

Taking Care of your Tap

- Taps should only be cleaned with a damp cloth or sponge, and dried with a soft cloth.
- Do not use chemical or cream cleaners, or solutions with bleach content. This can affect the finish of the tap. Please ensure any cloth that has been used with such cleaners is rinsed thoroughly before being used on the tap.

DO NOT USE ABRASIVE OR WIRE CLEANERS.



KEY	DESCRIPTION	QUANTITY
A	Mixer tap body	1
B	Collar	1
C	Upper sink/worktop seal	1
D	Studded rod	1
E	Rubber washer	1
F	Metal horseshoe	1
G	Fixing nut	1
H	Hot flexible tail pipe	1
I	Cold flexible tail pipe	1

Your guarantee is valid providing:

- The product has been installed by a suitably qualified person.
- Installation has been carried out in accordance with instructions and current legislation.
- Proof of purchase can be produced.
- The product has been used for domestic purposes only.
- The product has not been tampered with or repair attempted or modified by any unauthorised person.
- All products have been installed in accordance with WRAS regulations and local water by laws

Your guarantee does not cover the following:

- Damage by misuse, neglect or transit.
- Use of parts not used or recommended by CDA.
- Routine maintenance, general wear and tear and installation faults.
- Products used for commercial or professional purposes.

Your tap is guaranteed against defects in materials and/or workmanship for 5 years. At the discretion of CDA, should a fault arise the tap may be repaired or replaced and agreed refitting may be reimbursed on receipt on a faulty tap/part, once they have been inspected and deemed faulty.



Customer Care Department • The CDA Group Ltd. • Harby Road • Langar • Nottinghamshire • NG13 9HY

T : 01949 862 012 F : 01949 862 003 E : service@cda.eu W : www.cda.eu

TC10 Single Lever Tap – Technical Bulletin

Issue:

Customers report that the tap is leaking from the spout, as shown on the photograph below. This is caused when the collar, shown as A on the photograph, is not tight enough.



Solution:

Loosen the securing nut, clamping the tap to the sink (underneath the sink) and turn the collar clockwise until hand tight. Re-tighten the fixing nut and the issue should be resolved

MT 24/02/2009

