



EZT90BL

Extractor

Installation, Use and Maintenance

---

## Contents:

3	Important
4	Important information
6	Using your extractor
7	Care and maintenance
8	Removing the grease filter(s)
9	Changing/fitting the charcoal filter(s)
10	Changing the light
10 - 16	Installation
11	Installation preparation - height
13	Ducting and ventilation
17	Mains electricity connection
18	Electrical information
18	Troubleshooting
19	Energy Efficiency Information

## Important

The CDA Group Ltd cannot be held responsible for injuries or losses caused by incorrect use or installation of this product. Please note that CDA reserve the right to invalidate the guarantee supplied with this product following incorrect installation or misuse of the appliance or use in a commercial environment.

This appliance is not designed to be used by people (including children) with reduced physical, sensorial or mental capacity, or who lack experience or knowledge about it, unless they have had supervision or instructions on how to use the appliance by someone who is responsible for their safety.

Under no circumstances should any external covers be removed for servicing or maintenance except by suitably qualified personnel.

### **Appliance information:**

Please enter the details on the appliance rating plate below for reference, to assist CDA Customer Care in the event of a fault with your appliance and to register your appliance for guarantee purposes.

Appliance Model	
-----------------	--

Serial Number	
---------------	--

### **EU Declarations of Conformity:**

This appliance has been designed, constructed and marketed in compliance with safety requirements of EU Directive 2014/35/EU (LVD)

and requirements of EU Directive 2014/30/EU (EMC).

**IMPORTANT INFORMATION FOR CORRECT DISPOSAL OF THE PRODUCT IN ACCORDANCE WITH EC DIRECTIVE 2012/19/EU.**

At the end of its working life, the product must be taken to a special local authority waste collection centre or to a dealer providing appliance recycling services.

Disposing of a household appliance separately avoids possible negative consequences for the environment and health. It also enables the constituent materials to be recovered, saving both energy and resources. As a reminder of the need to dispose of household appliances separately, the product is marked with a crossed-out wheeled dustbin. 

**Please note:**

- Under no circumstances should the extractor be connected to any gas ventilation system, flue system or hot air ducting system.
- Do not vent the extractor into an attic or loft space.
- Only house the extractor in rooms with adequate ventilation. Remember that the extractor is powerful and whatever air is extracted needs to be replaced.
- Do not tile the extractor in. It should be removable for service or maintenance.
- Do not use silicone sealant to secure the hood to the wall.
- You must be able to isolate the extractor from the mains electrical supply after installation.

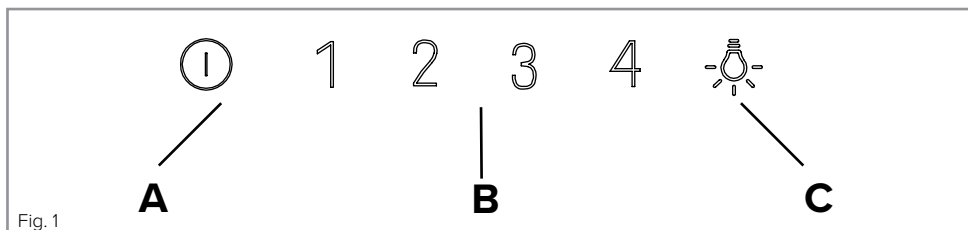
- This extractor has been designed to be used in a room with a volume of less than 36m<sup>3</sup>.
- Steam cleaners must not be used when cleaning this appliance.
- The performance of your extractor will vary depending on a number of factors. These include: type of extraction, length of ducting, room volume, ventilation available and cleanliness of the filters.

**Important information relevant to the reduction of the overall impact of the cooking process on the environment:**

- When cooking with pots and pans, always cover them with lids where possible.
- Remember to switch the extractor off at the end of cooking (or use the countdown timer available on some models)
- Remember to turn off the extractor lighting at the end of cooking and avoid using the lights for ambient lighting.
- Use appropriate cookware for the cooking zone to be used on your hob and, with gas hobs, adjust the flame to the size of the pot.
- Utilise the highest speed on your extractor when cooking fume levels are high.
- Clean the grease filter(s) regularly and replace any charcoal filters regularly if extracting via recirculation.

# Using your extractor

For best performance, you should switch on the extractor 15 minutes before starting to cook and leave it to run for approximately 15 minutes after the end of cooking.



## Control Panel

A - Power off button

B - Speed level buttons

C - Light button

## To switch the extractor light on or off

- Press the light button (C).

## To switch on the extractor or to change the speed at any time when the extractor is running

- Press the relevant speed button (B) for the first, second, third or fourth speed level as required.
- Press and hold the relevant speed button (B) to activate the **timer countdown** for that speed. This timer lasts for approximately 10 minutes before switching the speed off. It can be deactivated at any point by pressing the same speed sensor.

## To switch the extractor off

- Press the power off button (A).

# Care and maintenance

**IMPORTANT: DO NOT PERFORM MAINTENANCE OR CLEANING OF THE EXTRACTOR WITHOUT FIRST SWITCHING OFF THE ELECTRICITY SUPPLY.**

## Cleaning

You should use a non-abrasive cleaner. Any abrasive cleaner (including Cif) will scratch the surface and could damage the control panel markings.

You can clean your extractor effectively by simply using a dilute solution of water and mild detergent and drying to a shine with a clean cloth.

Take care not to use water in excess when cleaning the extractor. This will help to prevent water entering the internal workings of the extractor and therefore help to preserve its life-span. We recommend keeping the cleaning cloth only damp at all times.

When cleaning the stainless steel trims on the appliance, we recommend cleaning in the same direction as the brush finish on the steel (i.e. horizontally). This will help to prevent unsightly markings.

## **IMPORTANT:**

**Always protect surfaces immediately beneath the extractor (such as a hob) with a clean, dry towel or similar item before carrying out any cleaning or maintenance in case of falling parts/items.**

## Removing and cleaning the grease filter(s) - Fig. 2

The grease filters should be kept clean to minimise the risk of fire. At least once a month you should remove and clean the grease filters with hot soapy water. You can also wash the grease filters in a dishwasher (see note on page 9), ensuring that you place it in an upright position to prevent damage from other items in the dishwasher. After rinsing and drying, refit the filters.

To remove the grease filter, lift open the extractor cover and then release the catch on the handle on the grease filter. It will release at the handle side. Then lower the grease filter to remove it completely (fig. 2). To replace the grease filter, repeat the steps in reverse.

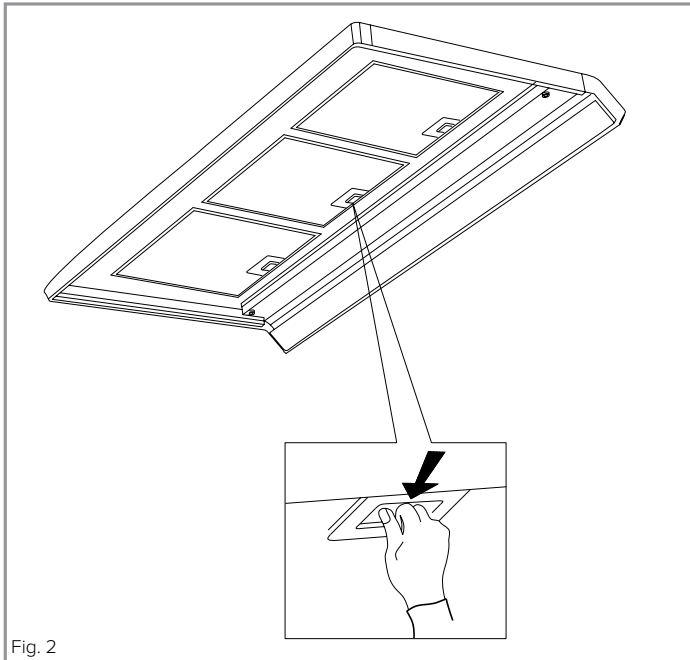


Fig. 2



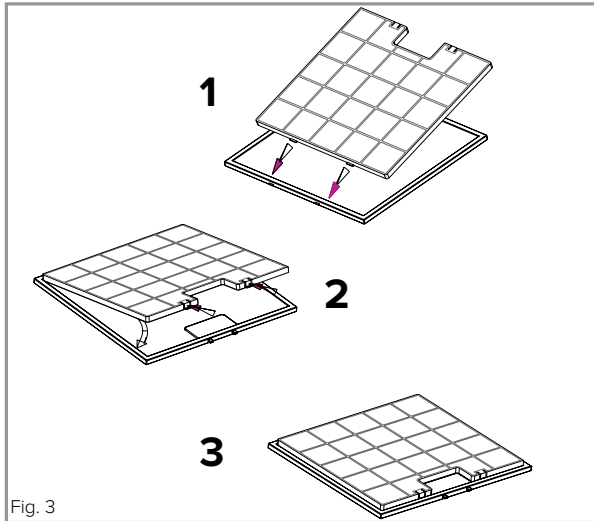
**Please note:**

Cleaning the grease filters in the dishwasher may lead to discolouration. This is normal and does not constitute a fault with the appliance.

**Changing the charcoal filter (re-circulating only) - Fig. 3**

To ensure best performance of your extractor, you should replace the charcoal filters every four to six months, depending on use.

To attach a new charcoal filter, first remove the grease filters as described above. Then offer up the charcoal filter to the inside of the grease filter as shown in fig. 3. Offer the catches on the bottom of the charcoal filter to the grease filter frame (1) and then clip the top of the charcoal filter into the grease filter frame around the handle area (2). Then, replace the grease filters and cover panels.



## Changing the light

This appliance is fitted with energy saving LED lighting that has a considerably longer life expectancy than traditional filament bulbs. These are not user-replaceable in the unlikely event of a failure.

**If the lights on your extractor should fail, please contact CDA Customer Care.** Contact details are below, on page 18 and on the rear cover of this manual.

Do not touch bulbs or adjacent areas during or straight after prolonged use of the lights.

The light is designed for use during cooking and not for general room illumination. Extended use of the light can reduce the life span of the light assembly.

### **Contact CDA Customer Care**

A: Customer Care Department, The CDA Group Ltd, Harby Road,  
Langar, Nottinghamshire, NG13 9HY

T: 01949 862 012

F: 01949 862 003

E: [customer.care@cda.eu](mailto:customer.care@cda.eu)

W: [www.cda.eu](http://www.cda.eu)

## Installation

When installing this product we recommend you seek the help of another individual. This product may have some sharp edges. Please take care and wear adequate PPE when handling.

## Installation preparation - height

When the extractor is to be installed above an **electric hob**, the minimum distance between the hob and extractor must exceed 650mm.

When the extractor is to be installed above a **gas hob**, the minimum distance between the hob and extractor must exceed 650mm.

**If the instructions provided with your gas hob state that the required distance between the hob and extractor must be greater than 650mm, then that is the distance that should be observed; this is a legal requirement and may lead to your hob being disconnected from the gas supply and the installation being reported under RIDDOR (the height should be measured from the top of the burners).**

**IN THE ABSENCE OF ANY INSTRUCTIONS SUPPLIED WITH THE GAS HOB, THE MINIMUM DISTANCE BETWEEN THE HOB AND EXTRACTOR MUST BE AT LEAST 760mm.**

The width of any hob must not be greater than the width of the extractor installed above it.

On page 12 (Fig. 4) there is an image showing the extractor's dimensions. This is intended to help with preparation for installing the extractor.

Prepare the centre line for mounting the extractor whilst taking the above into account.

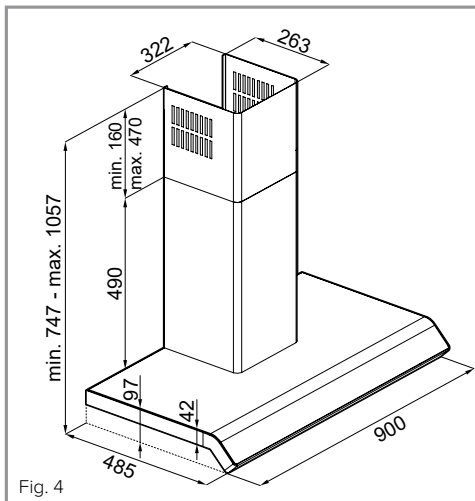


Fig. 4

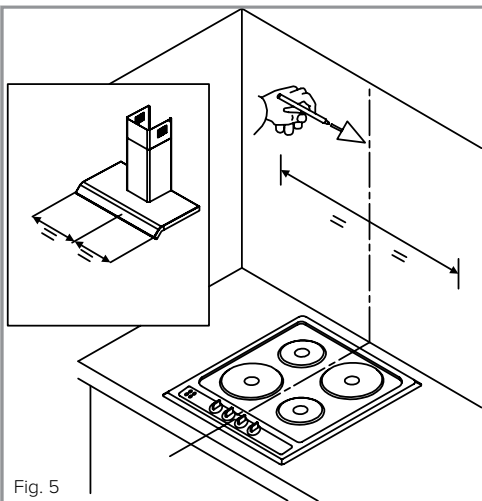


Fig. 5

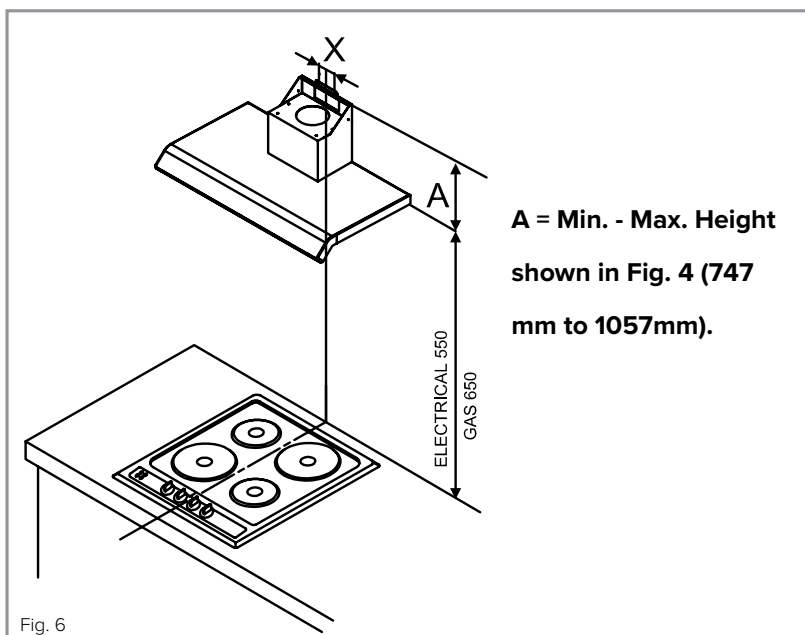


Fig. 6

Taking into account the extractor dimensions, and the advice regarding installation height as per page 11, mark where the installation bracket (Figs. 9-11) will be. Use the installation bracket (shown in Fig. 11) for reference if necessary.

# Ducting and ventilation

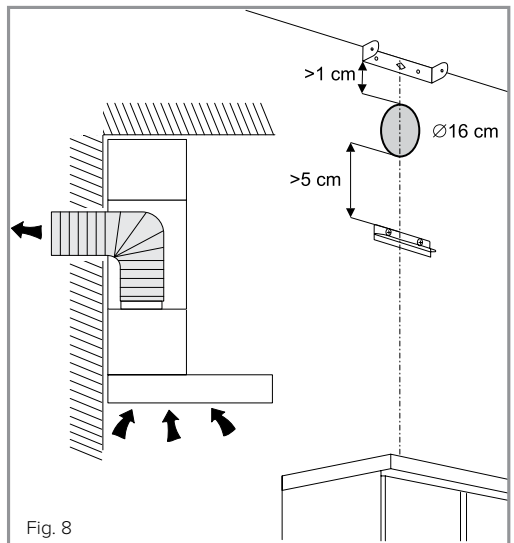
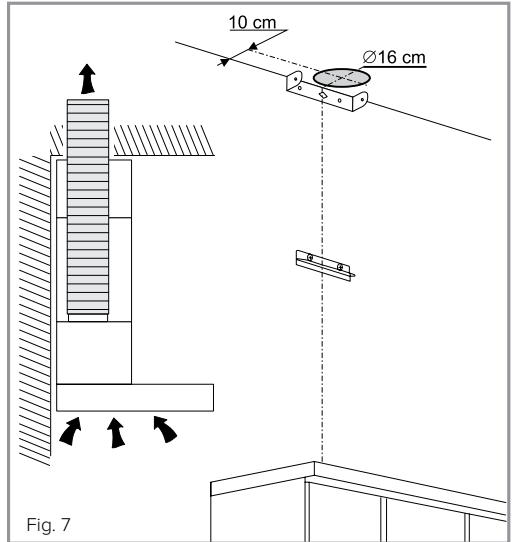
For best performance and lowest noise output, we recommend the use of 150mm ducting. You can also use smaller diameter ducting but this will reduce performance. In general, the less ducting you use (i.e. distance and bends) the more efficient your extractor will be.

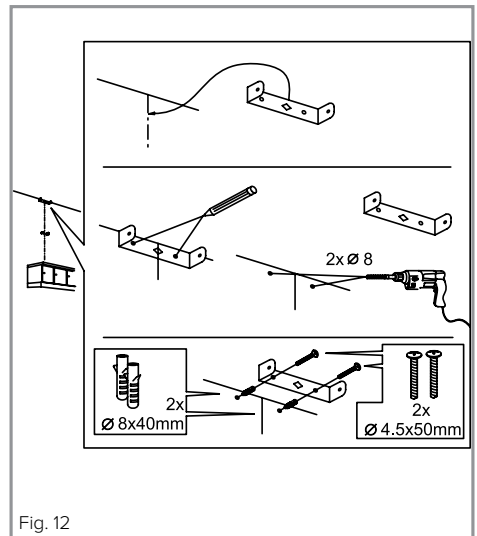
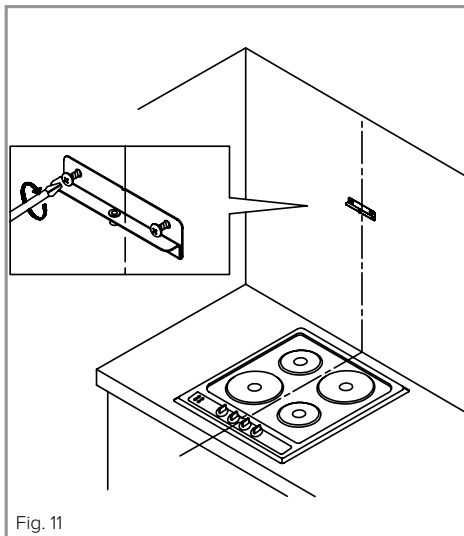
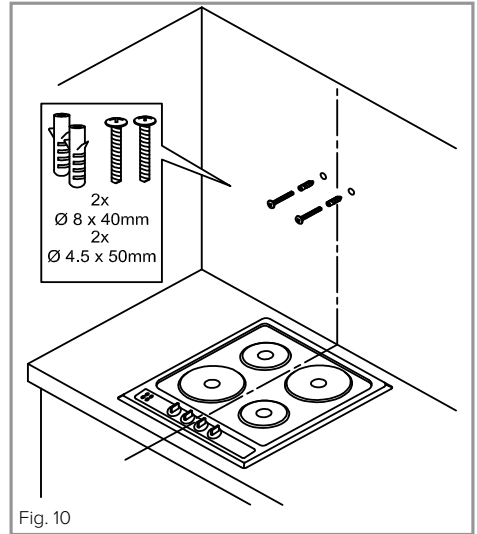
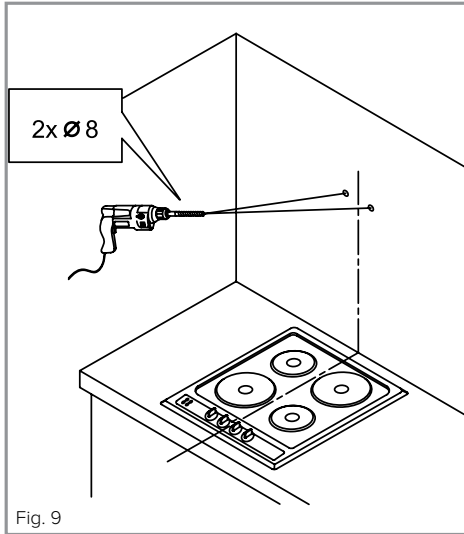
Figures 7 and 8 on this page show the two options for ducting out - through a wall and through the ceiling.

Note that the centre line of the outlet hole is 10cm away from the wall in Fig. 7.

You may wish to fit the installation brackets first before preparing the ducting outlet area. The steps for fitting these brackets are covered on the following pages.

Before cutting/drilling through any surfaces, ensure that adequate measures have been taken to ensure no electrical cables or similar lie behind.





**Please note:**

- The position of the fixing bracket in Fig. 11
- The chimney fixing bracket is mounted just below the ceiling line in Fig. 12. This is to help to ensure a flush finish.

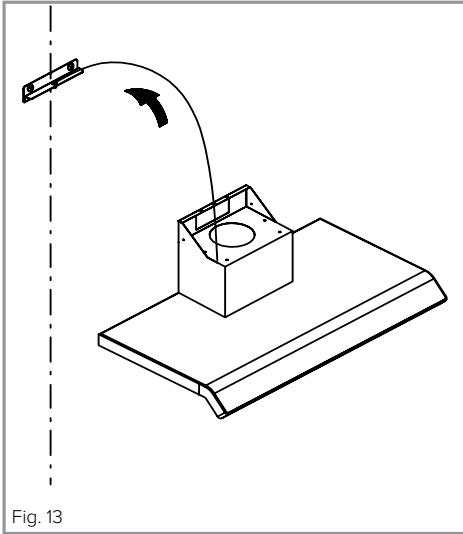


Fig. 13

- You can make any final adjustments to the level of the extractor by inserting and tightening accordingly two silver screws provided into the threaded inserts where the extractor meets the wall bracket as shown in Fig. 14 (a).
- When you are happy with the level of the extractor, insert and tighten another silver screw as shown in Fig. 14 (b).

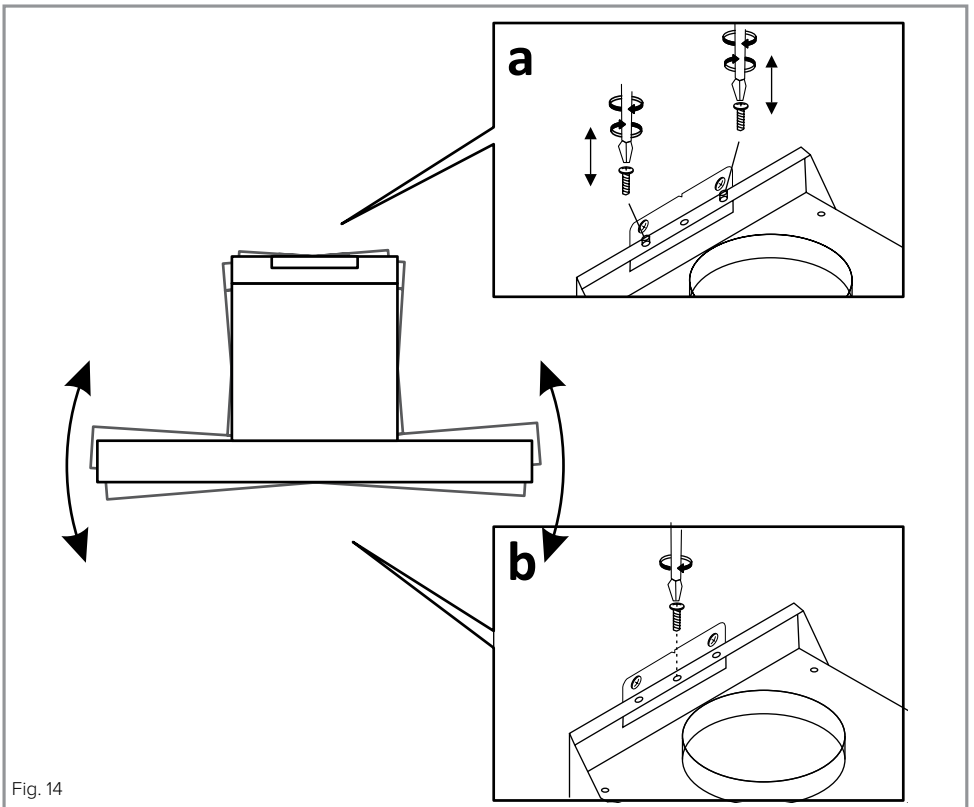
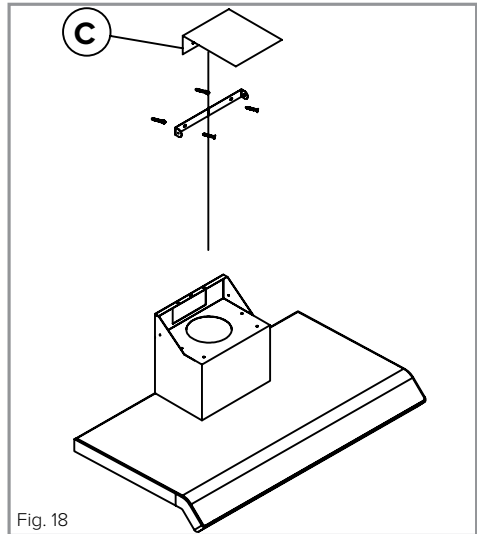
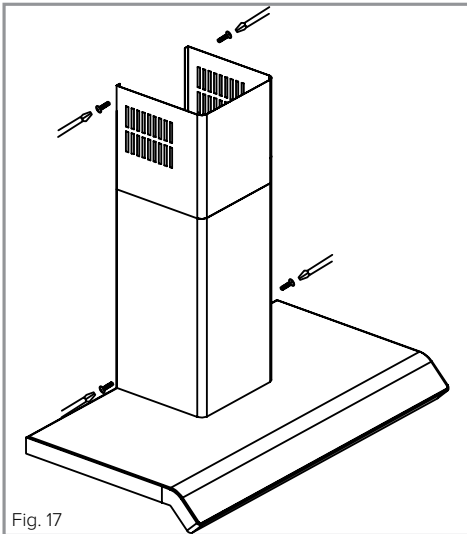
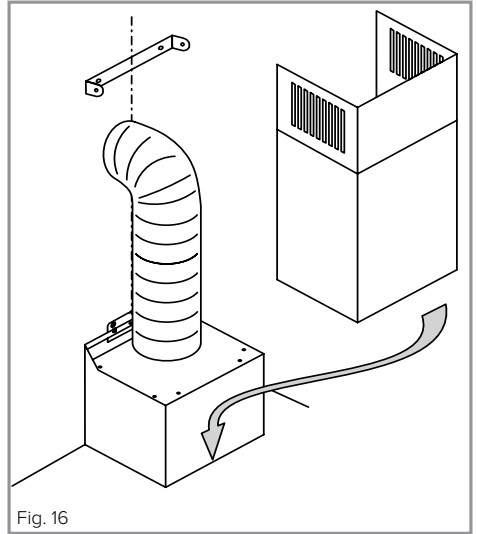
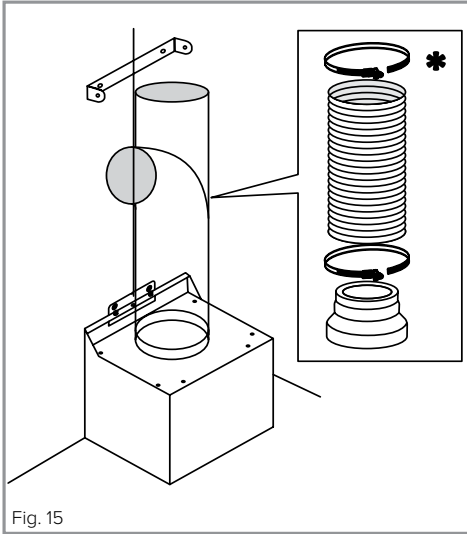


Fig. 14



Fit the ducting as required and then secure the chimney sections.

**Please note:**

- We recommend using the four small black screws provided to secure the chimney pieces (Fig. 17).

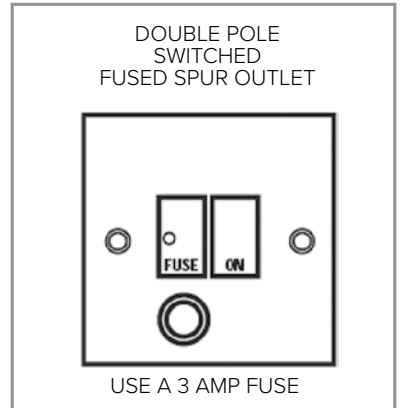


# Mains Electricity Connection

**THIS APPLIANCE MUST BE CONNECTED TO THE MAINS SUPPLY BY A COMPETENT PERSON, USING FIXED WIRING VIA A DOUBLE POLE SWITCHED FUSED SPUR OUTLET AND PROTECTED BY A 3A FUSE.**

We recommend that the appliance is connected by a qualified electrician, who is a member of the N.I.C.E.I.C. and who will comply with the I.E.E. and local regulations.

The wires in the mains lead of this appliance are coloured in accordance with the following code:



**BLUE = NEUTRAL, BROWN = LIVE, GREEN+YELLOW = EARTH**

As the colours of the wires in the mains lead for the appliance may not correspond with the coloured markings identifying the terminals connecting to the fused spur, proceed as follows:

- The wire which is coloured blue must be connected to the terminal marked N (Neutral), or coloured black.
- The wire which is coloured brown must be connected to the terminal marked L (Live), or coloured red.
- The wire which is coloured green and yellow must be connected to the terminal marked E (Earth) or coloured green or green and yellow.

Assembly and electrical connection should be carried out by competent personnel.

Do not mount the isolation switch behind the chimney section. It is a requirement that you must be able to isolate the extractor from the mains electrical supply after installation.

## Electrical Information

Mains electrical voltage: 230 – 240V<sup>~</sup>.

Total rated power consumption: 273W

## Troubleshooting

### **If your extractor is not working:**

1. Check that the mains supply has not been switched off.
2. Check that the fuse in the spur has not blown.

### **If your lights are not working:**

1. Check that the mains supply has not been switched off.
2. Check whether the extractor still extracts on any speed. If not, check that the fuse in the spur has not blown. If the lights still do not work, contact CDA Customer Care:

### **Contact CDA Customer Care**

A: Customer Care Department, The CDA Group Ltd, Harby Road,  
Langar, Nottinghamshire, NG13 9HY

T: 01949 862 012

F: 01949 862 003

E: [customer.care@cda.eu](mailto:customer.care@cda.eu)

W: [www.cda.eu](http://www.cda.eu)

---

## **NOTES:**

E & O E. All instructions, dimensions and illustrations are provided for guidance only. CDA reserve the right to change specifications without prior notice.



Please contact our **Customer Care Department** for Service on the details below

**Customer Care Department**

The ICDAI Group Ltd. • Harby Road • Langar • Nottinghamshire • NG13 9HY  
T : 01949 862 012 F : 01949 862 003 E : customer.care@cda.eu

