

HE3140SS Domino Electric Hob

Installation, Use and Maintenance



Contents:

- 3 Important
- 5 Important Notes
- 6 Using Your Hob
- 8 Efficient Use Of Your Hob
- 9 Care And Maintenance
- 11 Fitting The Hob
- 12 How To Install The Hob
- 14 Mains Electricity Connection

Important

The CDA Group Ltd cannot be held responsible for injuries or losses caused by incorrect use or installation of this product. Please note that CDA reserve the right to invalidate the guarantee supplied with this product following incorrect installation or misuse of the appliance or use in a commercial environment.

This appliance is not designed to be used by people (including children) with reduced physical, sensorial or mental capacity, or who lack experience or knowledge about it, unless they have had supervision or instructions on how to use the appliance by someone who is responsible for their safety.

Under no circumstances should any external covers be removed for servicing or maintenance except by suitably qualified personnel.

Appliance information:

Please enter the details on the appliance rating plate to assist CDA Customer Care in the event of a fault with your appliance and to register your appliance for guarantee purposes.

Appliance Model	
-----------------	--


Serial Number	
---------------	--

EU Declarations of Conformity:

This appliance has been manufactured to the strictest standards and complies with all applicable legislation, including Electrical safety (2014/35/EU - LVD) and Electromagnetic interference compatibility (2014/30/EU - EMC). Parts intended to come into contact with food conform to 1935/2004/EC..

IMPORTANT INFORMATION FOR CORRECT DISPOSAL OF THE PRODUCT IN ACCORDANCE WITH EU DIRECTIVE 2012/19/EU.

At the end of its working life, the product must be taken to a special local authority waste collection centre or to a dealer providing appliance recycling services.

Disposing of a household appliance separately avoids possible negative consequences for the environment and health. It also enables the constituent materials to be recovered, saving both energy and resources. As a reminder of the need to dispose of household appliances separately, the product is marked with a crossed-out wheeled dustbin. 

Important Notes

- **Please note:**
- Electric hobs become hot and remain hot during and immediately after use. We strongly advise that you do not touch the hob until it has been allowed to cool. If wiping away a spillage, please take every care not to burn yourself.
- Keep children away from the appliance when in use.
- Never use the hob top for storage.
- Pan handles should never stand out beyond the edge of the worktop. This will help to ensure children cannot reach them.
- Do not switch on the hotplates without cookware in place (unless following step 5 on page 9).
- Do not lean over the hob when it is in use.
- Follow the cleaning instructions carefully.
- Ensure the base of the saucepan is clean and dry before placing it on the hob.
- After use, please ensure that the control knobs are in the 'Off' position.
- This hob (Class 3) has been designed for use only as a cooking appliance. Any other use (e.g. heating rooms) should be considered incorrect and therefore dangerous.
- The appliance is not intended to be operated by any means of an external timer or separate remote-control system.

Using Your Hob

Layout

1. Control knobs
2. Power indicators
3. 145mm (Lower) 1.0kW
4. 180mm (Upper) 2.0kW

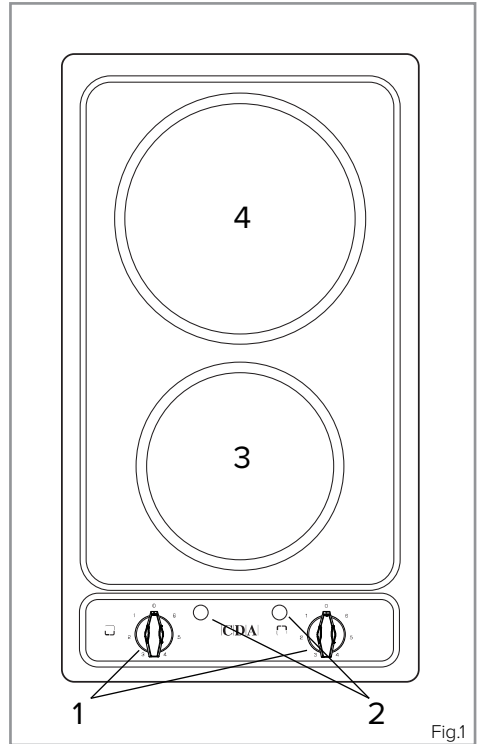


Fig.1

Control knobs

Each zone has its own power indicator ('P' in Fig. 2) that will illuminate whenever the zone is on a heat setting other than '0'.

Page 7 contains a table explaining the different heat settings and their recommend uses.

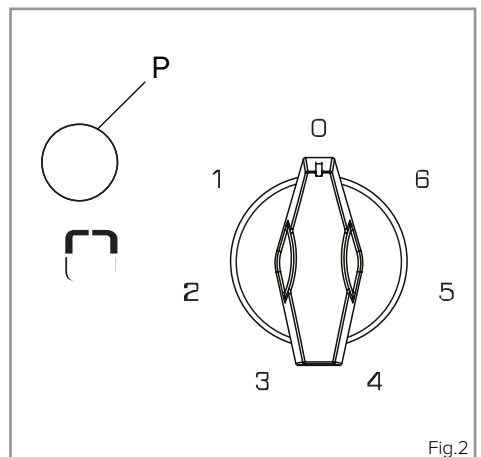


Fig.2

HOTPLATE SWITCHES:

The power of each hotplate can be varied using the control knob to select the required heat.

The table below shows the heat at each of the 6 settings:

Heat setting	Description	Recommended use
1	Very gentle	Stewing vegetables
2	Gentle	Boiling potatoes
3	Slow	Cooking soups or casseroles
4	Medium	Slow roasting or frying
5	High	Frying meat or fish
6	Very high	Boiling, quick heating, intense frying

The 'OFF' position is indicated by the symbol '0'.

The indicator will light when the hotplate is in use.

When you have finished cooking, check to ensure that the hotplates are off and the indicator is not lit.

Before using your hob for the first time, switch the hotplates on for a FEW SECONDS to burn off any grease left over from the manufacturing process.

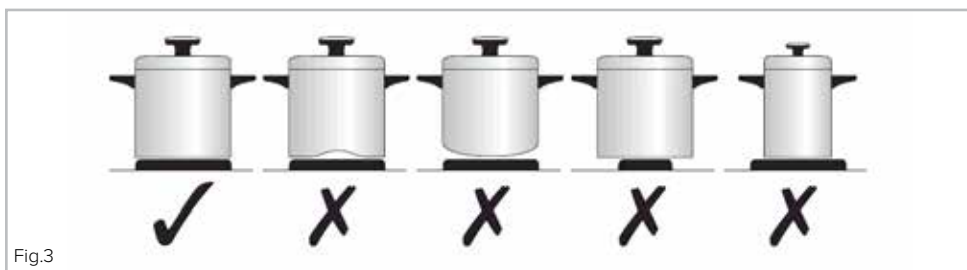
Avoid touching on or near the hotplates for some time after cooking as these areas will remain hot. Please note that leaving pans in place on the hotplates after cooking will mean that the plates and hobtop are hotter for longer.

Efficient Use Of Your Hob

The hob is equipped with hotplates of different sizes, designed to accommodate most shapes and sizes of pan. For best results, only use pans with flat bottoms and choose an appropriate hotplate depending on the size of the pan. The most efficient use of the hob is shown below, where the pan and hotplate are correctly chosen.

Use pan lids where possible to minimize the energy usage of your appliance.

Turn off each hotplate a few minutes before the end of cooking time. The residual heat in the hotplate will continue to cook the food for the remaining cooking time. This will also help preserve the look of your appliance.



The table below shows the sizes of pan that should be used with each hotplate:

Hotplate Size	Minimum Pan Size (cm)	Maximum Pan Size (cm)
145mm	12	16
180mm	16	20

Care and Maintenance

The hob has a stainless steel surface. Due to this you should use a non-abrasive cleaner. Any abrasive cleaner (including Cif) will scratch the surface and could erase the control panel markings. Stainless steel can be effectively cleaned by simply using a dilute solution of water and washing up liquid and drying to a shine with a clean cloth.

Over time with use, the stainless steel surface may discolour; this is normal and does not constitute a fault with this appliance. Proprietary stainless steel cleaners are available.

IMPORTANT:

Steam cleaners must not be used when cleaning this appliances.

HOTPLATE CARE:

The finish of the cast iron hotplates is designed to be durable in use. The following tips should be observed to get the best from your hob:

1. Do not use decorative covers; these can cause damage to the surface and lead to rust.
2. Use a special hotplate surface cleaner to protect and restore the surface of the hotplates.
3. Do not use soap and water on the hotplates. Wipe up spills and splashes immediately but take extreme care not to burn yourself.
4. Never operate the hob without a pan, unless it is for a few seconds (as below).
5. Deposits of fat can be burned off by turning the hotplate on for a few seconds. The fat will brush off when the appliance has cooled down.

IF YOUR HOB IS NOT WORKING:

1. Check that the mains supply has not been switched off.
2. Check that the fuse or circuit breaker has not blown/tripped.

If one or more plates continue to malfunction, please contact CDA Customer Care. Contact details can be found below.

A: Customer Care Department, The CDA Group Ltd, Harby Road,
Langar, Nottinghamshire, NG13 9HY

T: 01949 862 012 F: 01949 862 003

E: customer.care@cda.eu W: www.cda.eu

Fitting The Hob

Unpacking the hob:

- Take care not to lose or mishandle any parts.

Fitting position of the hob:

This appliance must be installed a minimum of 50mm from any back wall and a minimum of 150mm away from any adjacent vertical surfaces, e.g. a tall cupboard end panel. This may be reduced to 125mm if the adjacent surface is resistant to fire (tiles or steel, for example). These dimensions are shown in Fig 4 on page 13.

If fitting a cooker hood above the hob:

If a cooker hood is to be installed above the hob, the height of the hood above the hob must be at least 600mm (650mm is recommended) (Fig 5). If the instructions supplied with the hood dictate that the hood must be installed at a height greater than 600mm, then that height is the minimum required.

Wall furniture requirements:

The minimum height of any cabinet immediately above the hob is 900mm. The minimum height of any adjacent units (including light pelmets) is 400mm, unless they are manufactured from a material resistant to fire (steel, for example).

Notes:

- Do not position this appliance above a refrigeration unit. The heat generated may cause the unit to fail.
- This appliance is designed to be installed into cabinet units capable of withstanding temperatures of 65°C above ambient or greater (typically 80-90°C).
- If the hob is to be installed above a working drawer, then a partition should be fitted to protect the contents and user from the heat generated during use. This should be fitted 100mm below the hob.
- Never place perishable foods in the cupboard below the appliance.

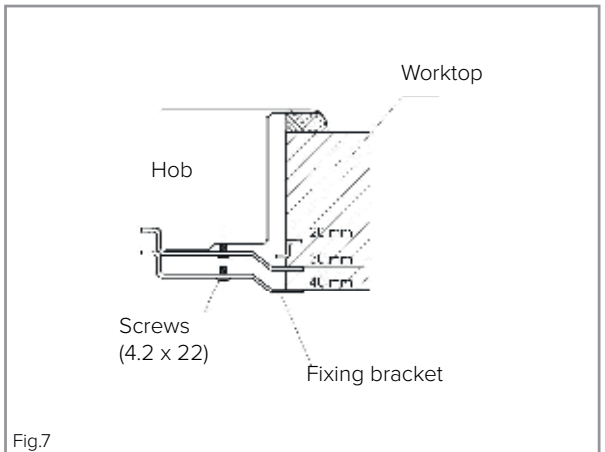
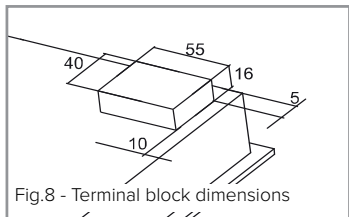
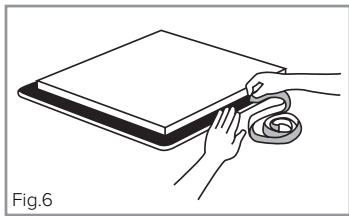
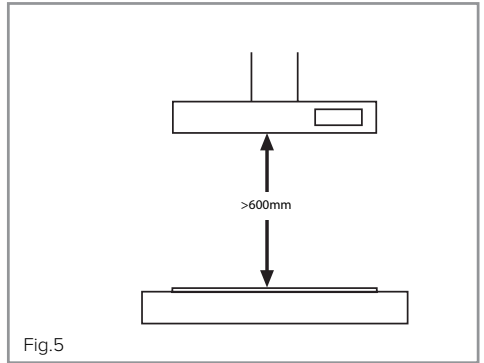
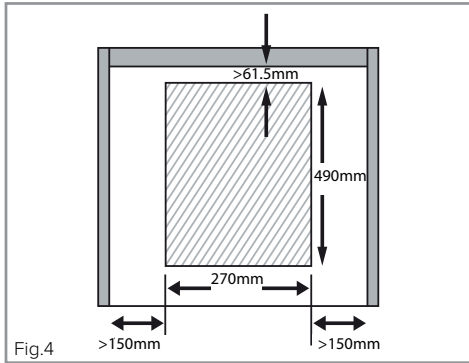
How To Install The Hob

How to install the hob:

Overall dimensions of the hob:	Width: 290mm	Depth: 510mm
Worktop cut-out dimensions:	Width: 270mm	Depth: 490mm

1. Make the required hole in the worktop. Note that before doing this, check the instructions supplied with any cooker hood to ensure that you will have the required clearance. The cut-out (Fig 4) shows a 61.5mm gap from the wall to the cut-out edge. The distance for the hob, when fitted, to the back wall is 50mm.
2. Unless the seal is already fitted position the hob seal, as shown in the diagram below (Fig 6), ensuring that the ends meet without overlapping. Do not use silicone type sealant.
3. Secure the hob to the worktop using the fixing brackets and screws supplied, as shown in the following diagram (Fig 7).
Remove any excess sealant after tightening the brackets.
4. Place the terminal cover plate into place over the terminal and feed

the mains cable through the provided hole and secure with the white cable clamp. Secure the plate in place with the screws provided.



TECHNICAL DATA:

The table below shows the rated output of each hotplate:

Mains electrical voltage: 230 - 240Vac, 50Hz

Total rated electrical input: 3.0kW

Hotplate Size	Nominal Rating (kW)
180mm	2.0
145mm	1.0

Mains Electricity Connection

Warning! this appliance must be earthed

We recommend that the appliance is connected by a qualified electrician, who is a member of the N.I.C.E.I.C. and who will comply with the I.E.T. and local regulations.

This appliance is intended to be connected to fixed wiring and is not suitable for connection to a 13A plug or 13A supply.

This appliance is intended to be connected to fixed wiring by a double pole switched fused spur, having a contact separation of at least 3mm in all poles. The switch must be positioned no further than 2m from the appliance. The fuse protecting this spur must be of **13A rating**.

Please note:

- The mains cable must only be replaced by a qualified electrician or service engineer and must be of equivalent or better rating (i.e. 1.5mm², HO5RR-F).
- This appliance is intended to be connected to the mains supply with a cable of cross section area 1.5 mm². A larger cable will not fit the terminal connections.
- The marking of the current rating of the fuse protecting this appliance should be marked on the spur outlet.
- Assembly and electrical connection should be carried out by specialised personnel.
- When installing this product we recommend you seek the help of another individual.

Energy Efficiency Information

Attribute	Symbol	Value	Units
CDA model		HE3140	
Type of hob		Built in	
Number of cooking zones and/or areas		2	
Heating technology (induction cooking zones and cooking areas, radiant cooking zones, solid plates)		Solid plates	
For circular cooking zones or area: diameter of useful surface area per electric heated cooking zone, rounded to the nearest 5mm	∅	FL:14.5 / RL:18.0	cm
For non-circular cooking zones or areas: length and width of useful surface area per electric heated cooking zone or area, rounded to the nearest 5mm	L W	NA	cm
Energy consumption per cooking zone or area calculated per kg	EC <small>Electric cooking</small>	FL:208.9 / RL:208.9	Wh/kg
Energy consumption for the hob calculated per kg	EC <small>Electric hob</small>	208.9	Wh/kg

E & O E. All instructions, dimensions and illustrations are provided for guidance only. CDA reserve the right to change specifications without prior notice.



Please contact our **Customer Care Department** for Service on the details below

Customer Care Department

The ICDAI Group Ltd. • Harby Road • Langar • Nottinghamshire • NG13 9HY
T : 01949 862 012 F : 01949 862 003 E : customer.care@cda.eu

