



# HVG680

## Four Burner Gas Hob

Installation, use and maintenance



# Contents:

- 3 Important
- 5 Important Notes
- 6 Using Your Hob
- 7 Igniting the burners
- 8 Efficient use of your hob
- 9 Care And Maintenance
- 10 Glass cleaning guide
- 11 Troubleshooting
- 12 What to do if you smell gas
- 15 Mains Electricity Connection
- 16 Technical Information
- 17 Gas Supply Requirements
- 18 Ventilation
- 18 Natural Gas to LPG Conversion
- 19 LPG to Natural Gas Conversion
- 20 Fitting the hob
- 21 How to install the hob
- 22 Installation diagrams
- 23 Energy Efficiency Information

# Important

The CDA Group Ltd cannot be held responsible for injuries or losses caused by incorrect use or installation of this product. Please note that CDA reserve the right to invalidate the guarantee supplied with this product following incorrect installation or misuse of the appliance or use in a commercial environment.

This appliance is not designed to be used by people (including children) with reduced physical, sensorial or mental capacity, or who lack experience or knowledge about it, unless they have had supervision or instructions on how to use the appliance by someone who is responsible for their safety.

Under no circumstances should any external covers be removed for servicing or maintenance except by suitably qualified personnel.

## **Appliance information:**

Please enter the details on the appliance rating plate below for reference, to assist CDA Customer Care in the event of a fault with your appliance and to register your appliance for guarantee purposes.


Appliance Model	
Serial Number	

## **EU Declarations of Conformity**

This appliance has been manufactured to the strictest standards and complies with all applicable legislation, including Electrical safety (LVD) 2014/35/EU and Electromagnetic interference compatibility (EMC) 2014/30/EU. Parts intended to come into contact with food conform to 1935/2004/EC.

## **IMPORTANT INFORMATION FOR CORRECT DISPOSAL OF THE PRODUCT IN ACCORDANCE WITH EU DIRECTIVE 2012/19/EU.**

At the end of its working life, the product must be taken to a special local authority waste collection centre or to a dealer providing appliance recycling services.

Disposing of a household appliance separately avoids possible negative consequences for the environment and health. It also enables the constituent materials to be recovered, saving both energy and resources. As a reminder of the need to dispose of household appliances separately, the product is marked with a crossed-out wheeled dustbin. 

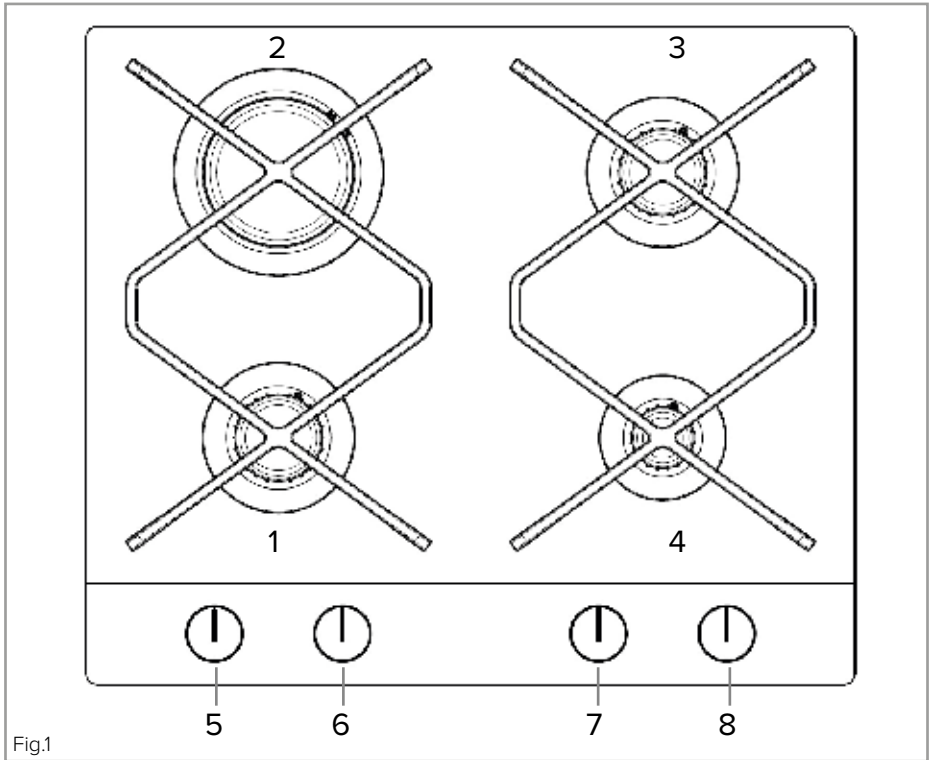
# Important Notes

## **Please note:**

- Gas hobs become hot and remain hot during and immediately after use. We strongly advise that you do not touch the hob, nor any of its components, until it has been allowed to cool. If wiping away a spillage, please take every care not to burn yourself.
- Keep children away from the appliance when in use.
- After use, ensure the control knobs are in the off position.
- Never use the hob top for storage.
- Pan handles should never stand out beyond the edge of the worktop. This will help to ensure children cannot reach them.
- Ensure that the appliance is correctly adjusted for the type of gas available before installation.
- The use of a gas appliance produces heat and humidity in the room in which it is installed. Ensure that the room is well ventilated, either by the use of natural ventilation outlets (e.g. windows) or an externally ducted extractor.
- Do not lean over the hob when it is in use.
- Follow the cleaning instructions carefully.
- Ensure the base of any saucepan is clean and dry before placing it on the hob.
- This hob (Class 3) has been designed for use only as a cooking appliance. Any other use (e.g. heating rooms) should be considered incorrect and therefore dangerous.
- The appliance is not intended to be operated by any means of an external timer or separate remote-control system.

This appliance is class GB II<sub>2H3+</sub>

# Using your hob

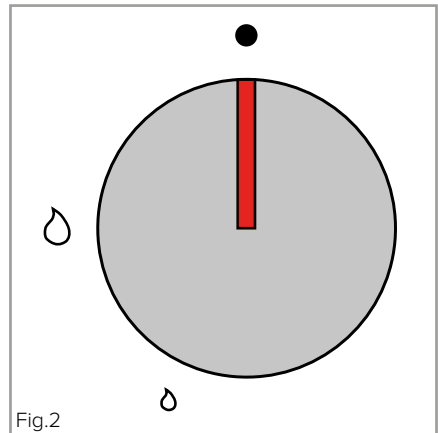


## Burners

- |                     |       |
|---------------------|-------|
| 1. Medium burner    | 2.0kW |
| 2. Large burner     | 4.0kW |
| 3. Medium burner    | 2.0kW |
| 4. Auxiliary burner | 1.0kW |



## Control knobs

5. Front left
6. Back left
7. Back right
8. Front right



## Gas burners

Gas flow to the burners is controlled by the control knobs (5, 6, 7 and 8 in Fig. 1). There are 3 positions shown on the control panel (Fig. 2). Turning the control knob to the positions shown below achieves the following:

- Closed (switches gas valve and burner off)
-  Maximum position (highest heat level) & ignition position
-  Minimum position (lowest heat level)

The knobs should always be turned in an anticlockwise (left) direction from the closed/off position. Attempting to ignite the burner in a clockwise direction from the closed position may cause damage to the hob.

## Igniting the gas burners

This hob's burners are fitted with flame failure devices. These operate by shutting off the gas supply to the burner in the event that the flame is extinguished whilst the control knob is in an open position.

### To ignite the burners

Press the control knob down and turn the knob anticlockwise (left) to the maximum position. Hold the control knob down to begin the ignition process (a constant clicking should be heard). Once the flame appears around the burner, keep the control knob pressed

down for a few seconds (can be as long as 10 seconds) to allow the flame failure device to detect the presence of the flame.

Once lit, release the control knob and turn it to the desired position i.e. until the burner flame is at the required intensity.

Once you have finished cooking with the burner(s) in use, return the control knobs to the closed (off) position.

**Please note:**

The ignition should not be operated (clicking constantly) for more than 15 seconds at a time.

If a burner does not ignite, or turns off accidentally, turn the control knob to the closed (off) position. Wait for one minute before attempting to reignite the burner. The flame failure device will activate within approximately 60 seconds.

If the burner does not ignite, repeat the ignition process with the control knob at the minimum position.

If a burner continues to not ignite, please follow the troubleshooting section on page 11. If the burner has been in use recently, allow it to cool sufficiently before handling it.

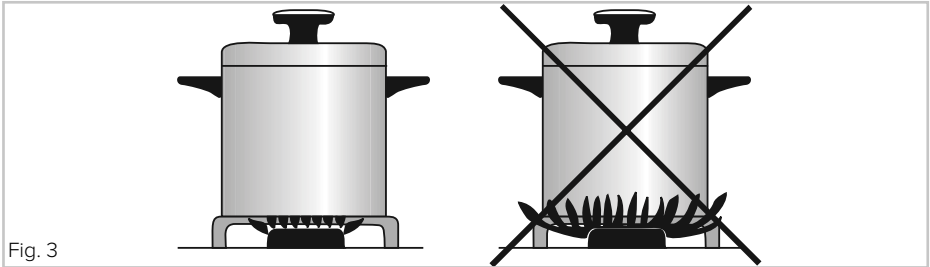
## **Efficient use of your hob**

The hob is equipped with burners of different sizes, designed to accommodate most sizes of pan. For best results, only use pans with flat bottoms and choose an appropriate burner depending



on the size of the pan. The most efficient use of the hob is shown below, where the pan and burner are correctly chosen.

- Use pan lids where possible to minimize the energy usage of your appliance.
- Ensure that the pans do not overlap the edges of the pan stands, nor cover the control panel.



The table below shows the sizes of pan that should be used with each burner:

Burner	Minimum Pan Diameter (cm)	Maximum Pan Diameter (cm)
Auxiliary	12	14
Semi-Rapid	14	20
Rapid	18	24

## Care and maintenance

The hob has a glass and a stainless steel surface. Due to this you should use a non-abrasive cleaner. Any abrasive cleaner (including Cif) will scratch the surfaces and could erase the control panel markings. Both surfaces can be effectively cleaned by simply using a dilute solution of water and washing up liquid, and drying to a shine with a clean cloth. Over time with use, the stainless steel surface may discolour; this is normal and does not constitute a fault with this appliance. Proprietary stainless steel cleaners are available.

- The cast iron parts of hobs (pan stands and burner caps on this model) are not suitable for cleaning in dishwashers. They should

be washed by hand and dried thoroughly afterwards with a clean, dry cloth.

A glass cleaning guide is below:

Type of residue	Clean with	Cleaning advice
Light	Cleaning sponge and soft cloth	Wipe over the zone to be cleaned with a sponge and hot water, and then wipe off with a soft dry cloth.
Accumulated baked-on stains/ dirt, sugar spills or melted plastics	Cleaning sponge or glass scraper and soft cloth	Wipe over the zone to be cleaned with a sponge and hot water, using a ceramic scraper to remove any large marks or stains and then wipe off with a soft dry cloth.
Rings and hard water residues	White vinegar and soft cloth	Pour a small amount of warm white vinegar onto the stain, leave it to stand, and then wipe off with a soft dry cloth.
Shiny metallic streaks	Cleaning agent for tempered glass	Use specialist tempered glass cleaner (preferably one with silicone for its protective properties)

**IMPORTANT:**

- Steam cleaners must not be used when cleaning this appliance.
- Ensure that all parts are correctly replaced after cleaning and before attempting to use the hob.
- After removing the pan stands, ensure the rubber feet on the undersides are in place and not contaminated with dirt/grit before replacing the pan stands.
- If water enters the ignition candle area, this can cause them to click constantly. This is not necessarily a fault. Switch the mains power supply off and wait for the water to dry up.

# Troubleshooting

## IF YOUR HOB IS NOT WORKING:

1. Check that the mains supply has not been switched off.
2. Check that the fuse or circuit breaker has not blown/tripped.
3. Check that the burner crowns and caps are fitted correctly and are not impeding the ignition candles or the flame failure devices (circled in Fig. 4).
4. Check that the burner caps (black metal plates that sit atop the burners) are clean and free from grease and debris on both sides.
5. Check that the burners and the burner caps are clean and not soiled. Dirt, food debris and other particles can clog the burners, causing issues.



**IMPORTANT: Ensure burners have been allowed to cool before handling them.**

If one or more burners continue to malfunction, please contact CDA Customer Care. Contact details can be found below.

**A:** Customer Care Department, The CDA Group Ltd, Harby Road, Langar, Nottinghamshire, NG13 9HY

**T:** 01949 862 012                      **F:** 01949 862 003

**E:** [customer.care@cda.eu](mailto:customer.care@cda.eu)    **W:** [www.cda.eu](http://www.cda.eu)

## **WHAT TO DO IF YOU SMELL GAS:**

### **1. Turn off the gas.**

For **natural gas** -

Turn off the gas supply at the meter situated at the emergency control valve (ECV) unless the meter is located in a basement or cellar. If there is a smell of gas in the basement or cellar, evacuate the building.

For **Liquefied Petroleum Gas (LPG)** -

- **Bulk storage supply** - shut off the ECV outside the building and the gas isolation valve on top of the above-ground storage vessel(s), or underground storage vessel(s).
- **Metered installations** - shut off the ECV at the meter installation outside the building.
- **Cylinder fed installations** - shut all cylinder valves.

### **2. Extinguish all naked flames.**

Do not smoke, ignite a lighter of any kind or strike matches.

### **3. Do not operate electrical switches**

Turning a light on or off, or activating any kind of switch or socket outlet, can ignite escaping gas.

### **4. Open windows and doors**

This gets rid of gas by ventilating the property. For LPG, ventilate at low level (LPG is heavier than air).

**Please note:** If gas is evident externally, consideration should be given to preventing gas entering the property (close windows and doors etc.).

## **5. Call the Gas Emergency Contact Centre**

In the case of natural gas, contact the Gas Emergency Service Provider (ESP) or, in the case of LPG, the Gas Supplier. Below is a list of ESPs relevant to region:

### **England, Scotland and Wales:**

Natural Gas - 0800 111 999 (Gas Emergency Contact Centre)

LPG - Bulk and Metered supplies - See telephone number on bulk storage vessel or at the meter.

LPG - Cylinder supplies - See gas supplier emergency contact details in the local telephone directory or as identified on the cylinder(s). Please note that caravan park owners, hire boat owners, etc. may have their own responsibilities in the event of a gas leak, so always contact the relevant site owner/authority.

### **Northern Ireland:**

Natural Gas - 0800 002 001 (Northern Ireland Gas Emergency Service)

LPG - Bulk and Metered supplies - See telephone number on bulk storage vessel or at the meter.

LPG - Cylinder supplies - See gas supplier emergency contact details in the local telephone directory or as identified on the cylinder(s). Please note that caravan park owners, hire boat owners, etc. may have their own responsibilities in the event of a gas leak, so always contact the relevant site owner/authority.

### **Channel Islands - Guernsey:**

Mains Gas + LPG (mains gas in the Channel Islands is an LPG and air mixture) - 01481 749000 (Guernsey Gas Ltd.).

### **Channel Islands - Jersey:**

Mains Gas + LPG (mains gas in the Channel Islands is an LPG and air mixture) - 01534 755555 (Jersey Gas Company Ltd.)

### **Isle of Man:**

Natural gas and LPG - 0808 1624 444 (Manx Gas Ltd.)

Gas Emergency contact details for the four main suppliers of LPG in the British Isles are shown below:

**Calor** - 08457 444 999

**BP** - 0845 607 6118

**Flogas** - 0845 7200 100

**Shell** - 0870 7539 999

**Please note:** The CDA Group Ltd. makes no warranty about the content of this section and will not be held liable, under any circumstances, for any direct or indirect damages resulting from the use of this information. If you have any questions regarding gas and safe practice, contact the Gas Safe Register® using the below details:

**Consumers** - 0800 408 5500

**Engineers** - 0800 408 5577

# Mains Electricity Connection

**Warning! This appliance must be earthed.**

**This appliance must be connected to the mains power supply by a competent person using fixed wiring via a double pole switched fuse spur outlet, having a contact separation of at least 3mm in all poles, and protected by a 3A fuse. The switch must be positioned no further than 2m from the appliance.**

We recommend that the appliance is connected by a qualified electrician, who is a member of the N.I.C.E.I.C. and who will comply with the I.E.T. and local regulations.

**This appliance is NOT suitable for connection to a 13A plug or 13A supply.**

## **Please note:**

- The mains cable must only be replaced by a qualified electrician or service engineer and must be of equivalent or better rating (i.e. 1.5mm<sup>2</sup>, HO5VV-F).
- This appliance is intended to be connected to the mains supply with a cable of cross section area 1.5 mm<sup>2</sup>. A larger cable may not fit the terminal connections.
- The marking of the current rating of the fuse protecting this appliance should be marked on the socket outlet.
- Assembly and electrical connection should be carried out by specialised personnel.
- When installing this product we recommend you seek the help of another individual.

The wires in the mains lead of this appliance are coloured in accordance with the following code:

Green & Yellow = Earth

Blue = Neutral

Brown = Live

As the colours of the wires in the mains lead for this appliance may not correspond with the coloured markings identifying the terminals connecting to the fuse spur, proceed as follows:

- The wire which is coloured green and yellow must be connected to the terminal marked E (Earth) or coloured green.
- The wire which is coloured blue must be connected to the terminal marked N (Neutral) or coloured black.
- The wire which is coloured brown must be connected to the terminal marked L (Live) or coloured red.

### **Technical Information**

Total rated gas input: 9.0 kW

Mains electrical voltage: 230-240Vac, 50Hz

Total rated electrical consumption: < 1 W



# Gas Supply Requirements

**IMPORTANT: THIS APPLIANCE MUST BE FITTED BY A GAS SAFE REGISTERED FITTER OR OTHER SUITABLY QUALIFIED PERSON.**

- This installation must comply with the Gas Safety (installation and use) Regulations 1984.
- This appliance is category II<sub>2H3+</sub> and is designed for use in the UK and Ireland. The installation must comply with the Gas Safety (installation and use) Regulations 1984.
- The CDA Group Ltd is not legally able to provide any assistance in the installation of gas appliances except to Gas Safe registered installers. Any Gas Safe registered fitter requiring help must provide their name, address and registration number. Information supplied will be validated before help is provided.
- In the event that this appliance is not installed in accordance with the above requirements, the appliance may be disconnected from the mains gas supply until any faults are rectified; this is a legal requirement.
- This appliance should be installed using 15mm copper pipe connected via a shut-off valve in an adjacent unit. The shut-off valve needs to be accessible in an emergency or for service purposes.
- This appliance must not be connected to a combustion gas recovery scavenging system
- The connection to the gas supply must comply with all current regulations in force.
- We are not legally able to offer advice on the installation of gas appliances to non Gas Safe registered personnel.

# Ventilation

All rooms require a window, or equivalent (e.g. a door), which can be opened. Some rooms require a permanent vent in addition to a window (see below).

This unit must not be used in a room which is less than 5m<sup>3</sup>. The following table details the requirements based on the kitchen volume (DxWxH) in m<sup>3</sup>.

Room Volume (m <sup>3</sup> )	Air Vent Required (cm <sup>3</sup> )
5	100
6 to 10	50
6 to 11	No permanent vent required if a door opens to the outside
11 or more	None required

The above requirements also allow for use of a gas oven and grill. However, if there are any other fuel burning appliances in the same room, consult the relevant British Standard (BS5440) or GAS SAFE Document.

# Natural Gas to LPG Conversion

This hob can be converted from natural gas to propane operation at a nominal inlet pressure of 37mbar, or butane operation at a nominal inlet pressure of 28/30mbar. This conversion must only be carried out by a competent person (i.e. a Gas Safe registered fitter).

## Instructions to fit replacement injectors:

1. Disconnect the appliance from the gas and electrical supplies.
2. Remove burner components and pan supports.

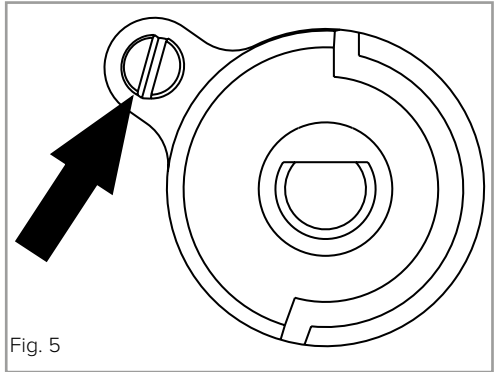
### Tools/parts required:

- 7mm AF nut spinner
- Replacement injectors
- LPG identity plate

- Remove the injectors and replace with the corresponding injector as shown in the table at the bottom of this page.

### Setting up minimum flow rates:

- Turn on the gas supply, light the burners and turn the controls to the minimum position, as indicated by the small flame.
- Remove the control knobs.
- Insert a 2.5mm screwdriver into the slit as shown in Fig.5, and turn the adjustment screw fully clockwise.
- Turn the controls to maximum position then quickly to the minimum position - make sure the flame does not extinguish.
- Replace the knobs.



## LPG to Natural Gas Conversion

This hob can be converted from propane operation at a nominal inlet pressure of 37mbar or butane operation at a nominal inlet pressure of 28/30mbar to natural gas at 20mbar. This conversion must only be carried out by a competent person (i.e. a Gas Safe registered fitter).

**SOMIPRESS burner.** (indicated "SOMIPRESS." on the burner body)

Type of gas	Burner		
	auxiliary	medium	ultra large
G20 2H 20 mbar	0,76	0,98	1,33
G30/31 3+ 28-30/37 mbar	0,52	0,70	1,00

**IMPORTANT: ONCE CONVERTED, REMEMBER TO LABEL THE HOB, AS PER THE GAS TYPE, ACCORDINGLY.**

# Fitting the hob

## Fitting position of the hob:

This appliance, **when installed**, must be a **minimum of 50mm** from any back wall and a minimum of 300mm away from any adjacent vertical surfaces, e.g. a tall cupboard end panel. This may be reduced to 150mm if the adjacent surface is resistant to fire (tiles or steel, for example). These dimensions are shown in Fig. 6.

## If fitting a cooker hood above the hob:

If a cooker hood is to be installed above the hob, the height of the hood above the hob must be at least 750mm (Fig. 7). If the instructions supplied with the hood dictate that the hood must be installed at a height greater than 750mm, then that height is the minimum required.

## Wall furniture requirements:

The minimum height of any cabinet immediately above the hob is 900mm. The minimum height of any adjacent units (including light pelmets) is 420mm, unless they are manufactured from a material resistant to fire (steel, for example).

## Notes:

- Do not position this appliance above a refrigeration unit. The heat generated may cause the refrigeration unit to fail.
- This appliance is designed to be installed into cabinet units and worktops capable of withstanding temperatures of 100°C +.
- If there is no oven to be built in below the hob it is recommended that an isolation shelf should be fitted to protect the user from high temperatures. If the hob is to be installed above a working drawer, then a partition should be fitted to protect the contents

and user from the heat generated during use. This should be fitted at least 75mm below the hob (measured from the gas hob elbow). This panel should have a ventilation space at the rear of greater than 30mm (Fig. 9).

- Never place perishable foods in the cupboard(s) below the appliance.

## How to install the hob

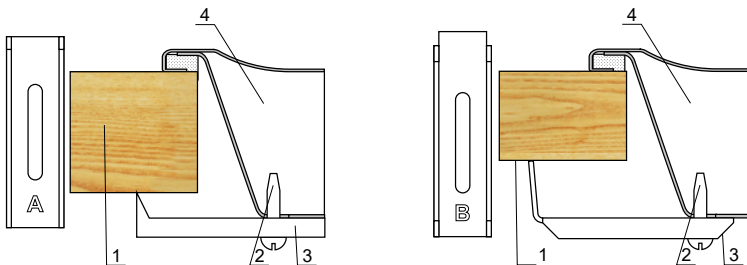
Overall dimensions of the hob:      Width: 600mm      Depth: 520mm

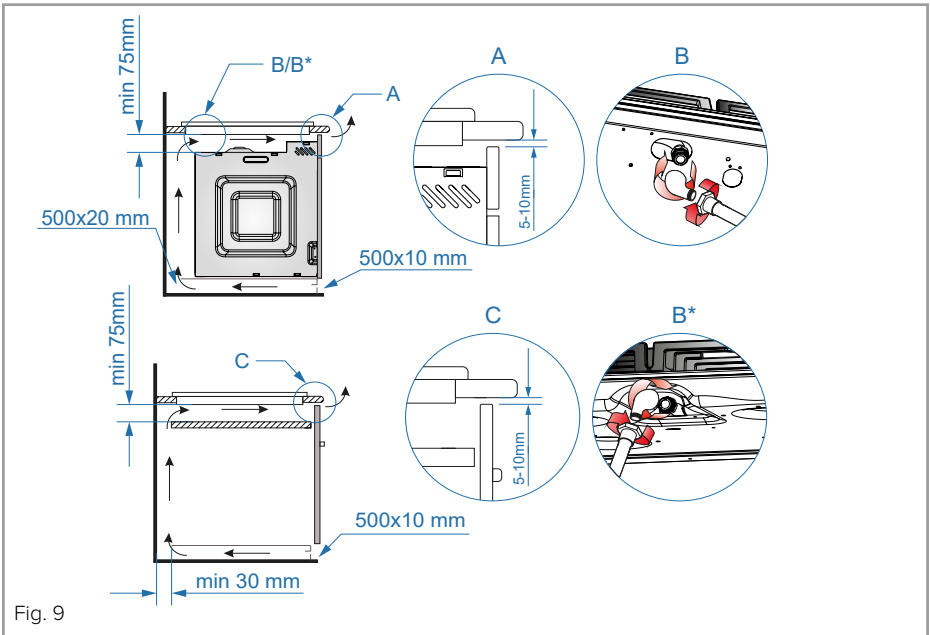
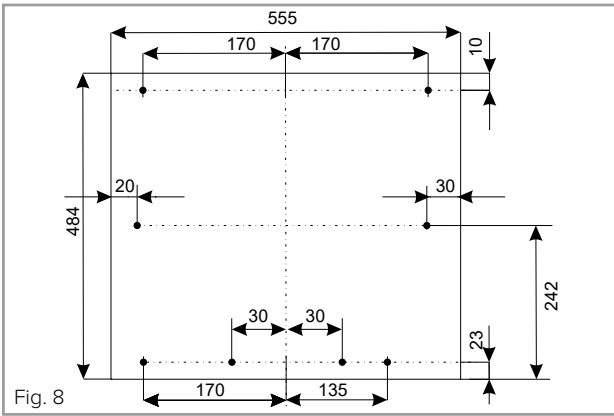
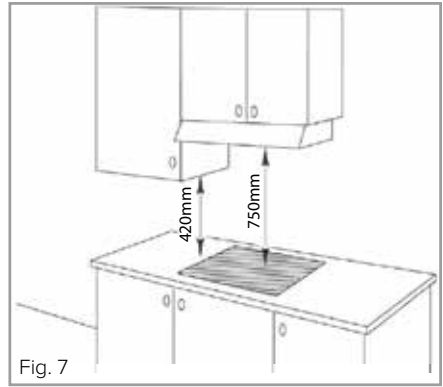
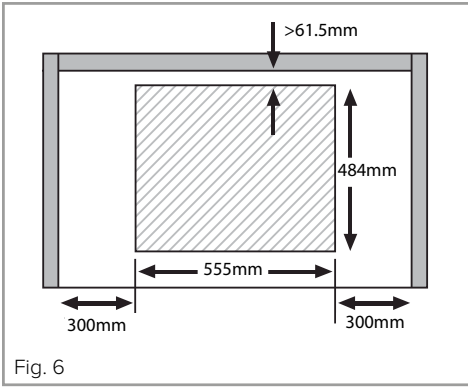
Hob thickness: 52mm

Worktop cut-out dimensions:      Width: 555mm      Depth: 484mm

**A gap of 75mm is required below the hob for ventilation purposes (Fig.9). This must be measured from the gas hob elbow.**

1. Make the required hole in the worktop. Note that before doing this, check the instructions supplied with any cooker hood to ensure that you will have the required clearance. **The cut-out (Fig. 6) shows a 61.5mm gap from the wall to the cut-out edge.** This is because the distance for the hob, when fitted, to the back wall is to be at least 50mm.
2. Secure the hob to the worktop using the fixing brackets and screws supplied, as shown in the image below. For worktops thinner than 28mm, use the clips marked 'B'. Positions for the clips are shown in Fig. 8 on page 22.





# Energy Efficiency Information

## Household gas hobs

R1			HVG680BL
R2	Model identifier		PGINGp4.1ZpZtAB
R3			20997
S		Hob type (electric / gas / gas electric)	
TT	Number of gas burners		4
Y1	Energy efficiency for each gas burner (EE gas burner)	FL	54,5
Y2		RL	54,5
Y3		RR	54,5
Y4		FR	-
Z	Energy efficiency of gas hob (EE gas hob)		54,5

### A) Measurement and calculation methods

- The gas hob has CE approval according to the Gas Appliance Directives 2009/142/EC.
- The energy efficiency of this gas hob was tested and measured according to EN 30-2-1-1998+A1-2003+A2-2005.
- The semi-rapid burner and rapid burner were tested separately; the auxiliary burner is not required for test because its nominal heat input is less than 1.16kW.
- The energy efficiency of the gas burners and the hob were calculated according to COMMISSION REGULATION (EU) No.66/2014.

### B) Rational use of the energy and the appliance

- The gas hob is designed for domestic use only, please do not use for commercial purposes.
- The gas hob is designed for use with gas (LPG and Natural gas). The combustion products contain carbon monoxide (CO) and carbon dioxide (CO<sup>2</sup>). These are affecting our environment.
- To ensure the rational use of energy, please install the gas hob according to the specifications in clause 5, and please make sure you are using the correct diameter of pan for each burner.
- To ensure safe use, please read this instruction manual before use; please follow the installation, operation and maintenance guidelines.
- To ensure the optimal life expectancy of the gas hob, please follow the operation and maintenance guidelines strictly; please do not modify the appliance.
- Please contact CDA Customer Care for repairing and exchanging of the components (such as gas valve, control knob) if necessary.
- The material of the gas hob is metal. Please dispose of the gas hob in recycling when the gas hob comes to the end-of-life.
- The packaging materials of this appliance are recyclable, please make good use of waste materials.



**For service or queries relating to your product please contact:**

The Customer Care Department on **01949 862 012** or email [customer.care@cda.eu](mailto:customer.care@cda.eu)

**For more information please contact:**

The Sales Department on **01949 862 010** or email [sales@cda.eu](mailto:sales@cda.eu)

**Customer Care Department.** The CDA Group Ltd, Harby Road, Langar, Nottinghamshire, NG13 9HY  
**T:** 01949 862 012 **F:** 01949 862 003 **E:** [customer.care@cda.eu](mailto:customer.care@cda.eu)