



FW422 Integrated in-column larder fridge

Features

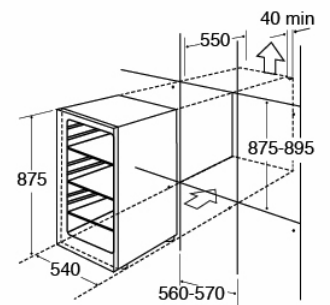
- Interior light
- 1 egg tray
- 2 salad crisper drawers
- In-door balconies: 3
- Glass shelves: 4
- Reversible doors
- Control system: Mechanical
- Left/ Right hinged door: Left
- Interior light type and quantity:
- Temperature rise signal:
- Glass shelf:
- In-door balconies:
- Lidded dairy compartment:
- Salad crisper:
- Fixed/ Sliding decor door bracket:
- Salad crisper shelves:
- Egg tray number:

Technical specification

- Fixed hinges
- Total useable capacity: 134L net
- Noise level: 41dBA
- Climate class: N-T
- Total capacity: 135/134
- Fridge capacity:
- Number of compressors: 1
- Power supply: 13A
- Rated power: 95W
- Refrigerant quantity: 26g
- Refrigerant type: R600a
- UK plug
- Voltage/frequency: 220-240/50

Energy

- Energy consumption in 24 hours: 0.34kW.h
- Energy consumption per annum: 121kW.h
- Energy rating: A+



⇒ = airflow